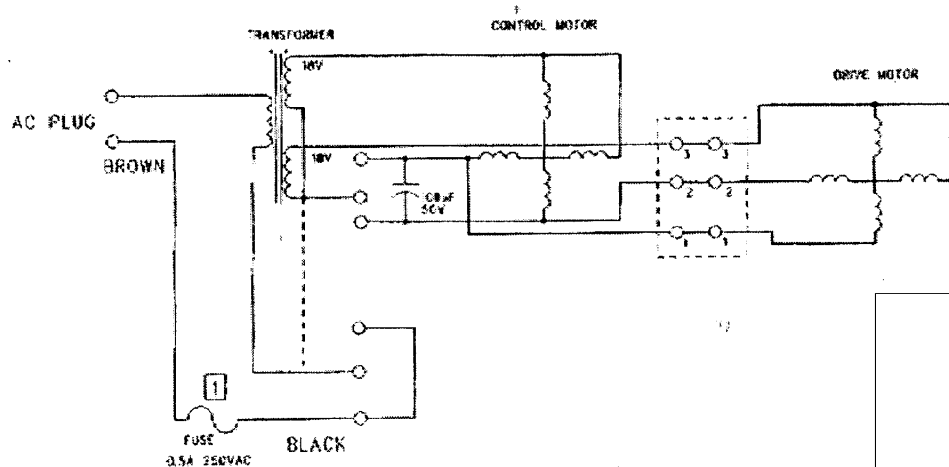
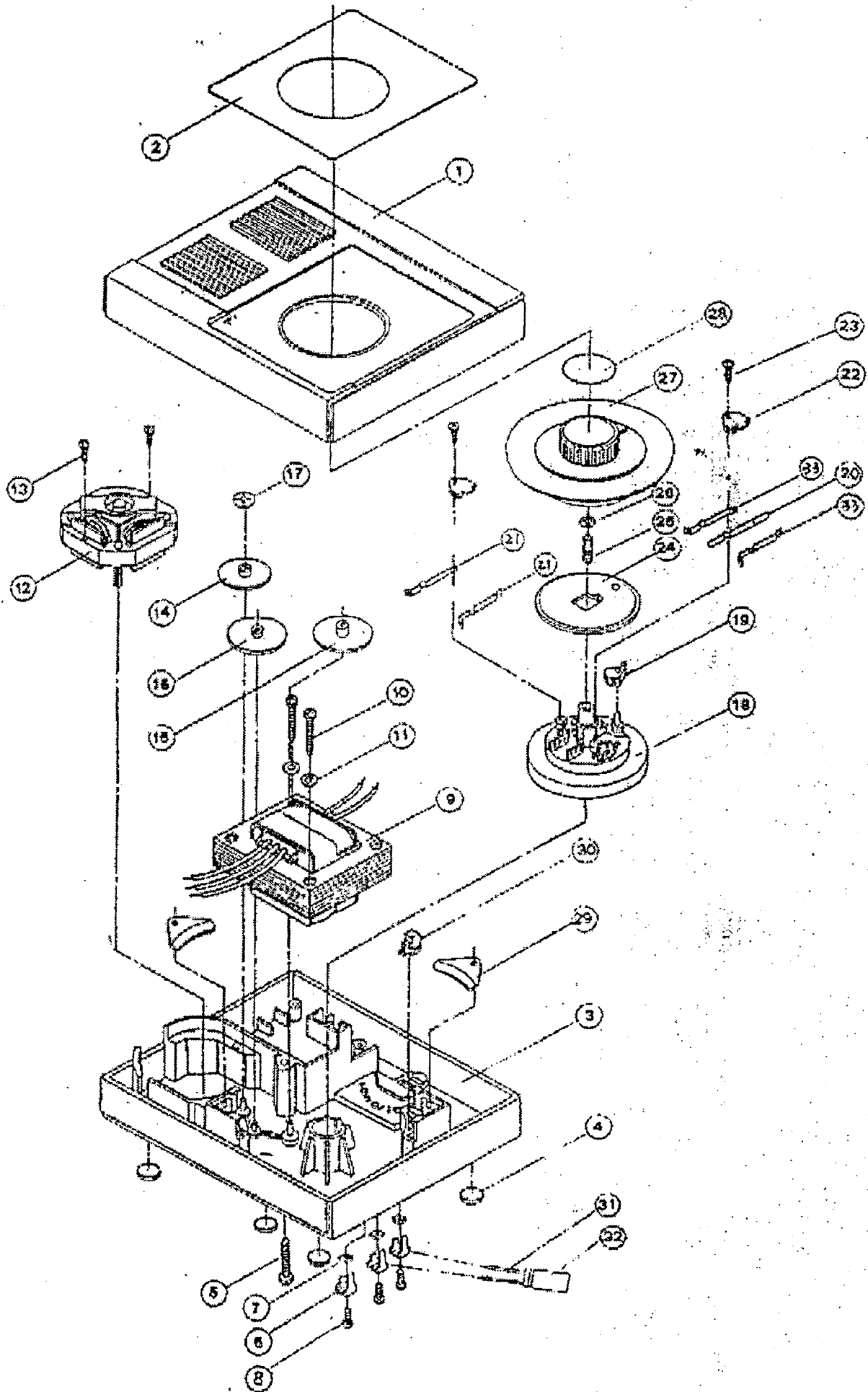


REV	DESCRIPTION	DES.	AUTH	DATE
1	1	I-1175-7	HSIAC FEN	3.25'99
		ADD FUSH		



DRN BY	HSIAC FEN 3.25'99	
DSN BY	<i>[Signature]</i> 3/25	
CHK BY	<i>[Signature]</i>	DWG. NO U16-34
APPD BY	<i>[Signature]</i> 3.26'99	
TITLE	AR-302 (CE)	REV. : SHEET OF P7.1

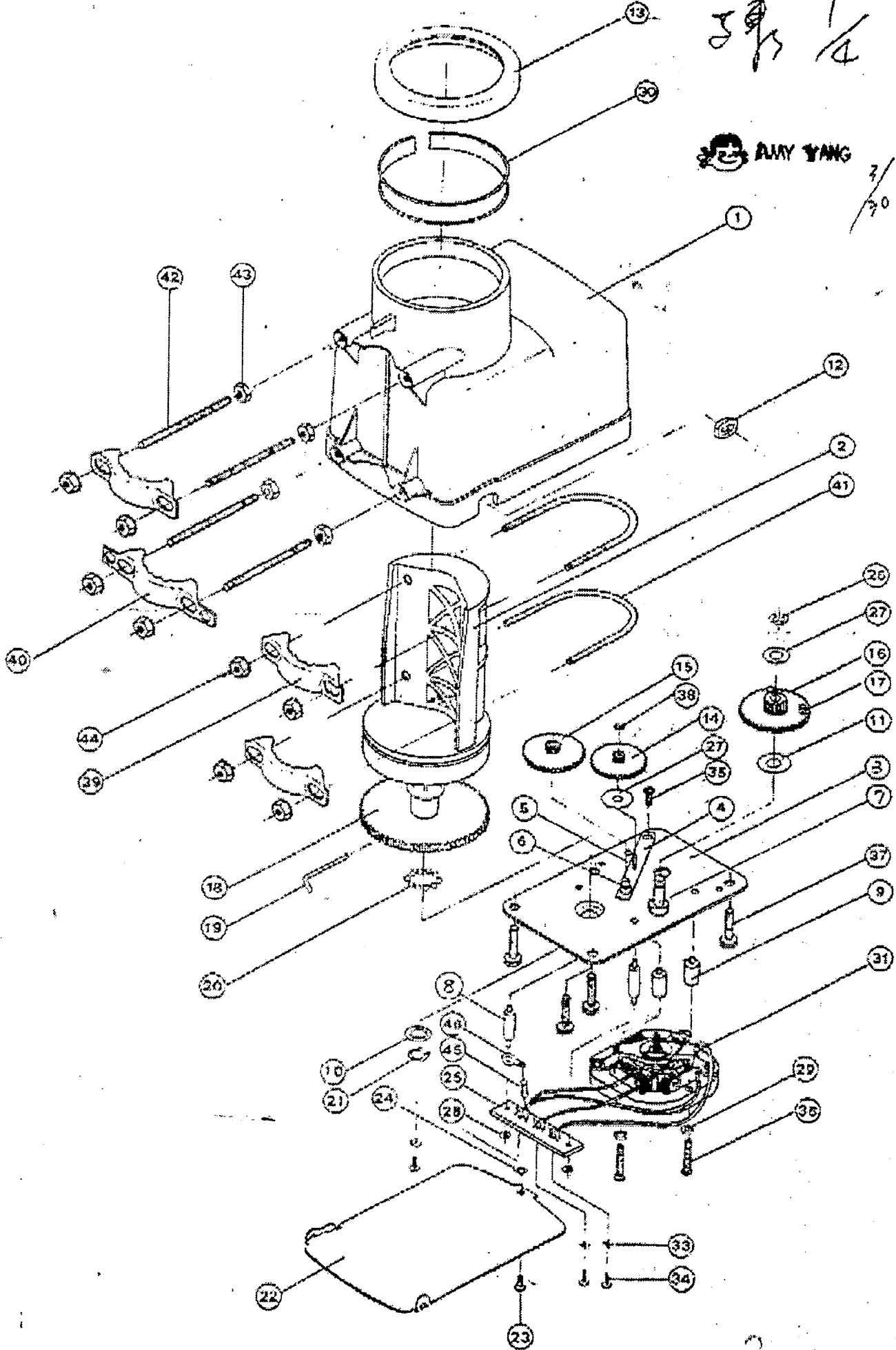
EXPLODED VIEW (CONTROL BOX)



3/14

AMY YANG

7/30 00



MECHANICAL PARTS LIST (ROTATOR)

2/4

REF. NO.	DESCRIPTION	MFG'S PART NO.
1.	Rotator Case, Aluminum	52-4016-007
2.	Drive Body, Aluminum	72-1608-018
3-9	Bottom Plate Assy	72-1608-014
(K) 3.	Bottom Plate, Iron Inside Rotator	52-1416-025
(K) 4.	Gear Mount Plate, Iron, on Bottom Plate	52-1416-004
5.	Gear B Fixed Pillar, Iron	52-2016-011
6.	Gear D Fixed Pillar, Iron	52-2016-015
(K) 7.	Gear F Fixed Pillar, Iron	52-2016-016
8.	Highly Pillar, Iron	52-2016-007
9.	Motor Fixed Pillar, Iron	52-1516-001
10.	washer B, Stainless Steel, For Gear G	52-9516-003
(K) 11.	Washer, 0.3t, For Gear E+F	52-1816-005
12.	Wire Bush, PVC, Black	51-1641-003
13.	Weather Boot, PVC, Black	51-1641-002
(K) 14.	Gear A+B	72-1608-009
(K) 15.	Gear C+D	72-1608-012
(K) 16.	Gear E+F	72-1608-003
(K) 17.	Direction Stop Pillar, Iron	52-2016-003
(K) 18.	Gear G, 78.3t+72T	52-0116-015
(K) 19.	Gear Fixed Groove Pin, Steel, For Gear G	52-9616-001
(K) 20.	Steel Ball, 4t, For Gear G	52-0018-002
21.	Retaining Rings, STW-9, For Gear G	52-0017-502
22.	Rotator Cover, Iron	52-1216-005
(K) 23.	Screw, M4x0.7Px8L, for Cover	57-9900-013
24.	Screw Washer, Rotator Cover	68-6160-801
25.	Wire Connect Plate, Black	52-2016-001
(K) 26.	Retaining Rings, ETW-5	52-0017-008
(K) 27.	Washer, 0.7t	52-1816-006

für den "Automatic Antennen- Rotor" Best.-Nr. 28 49 71
benötige ich noch folgende technische Daten:

Länge (ca.)	Breite (ca.)	Höhe (ca.)	Gewicht
280 mm	140 mm	170 mm	3 kg ca.

P A R T S L I S T

MODEL NO.: AR-302

第1頁

序號	子階料號	規 格	用量	單位	圖 號	/版次
1	AR-302(C)	CONTROL BOX	1	*SET	U16-34012	A2/0
2	51-1630-032	Upper Plastic Case, ABS, Black	1	PCS	U16-34001	A1
3	51-1630-034	Bottom Plastic Case, ABS, Black	1	PCS	U16-34002	A1
4	41-4199-002	Motor, AC18V 2900-3100RPM	1	PCS	U16-01025	A3
5	41-2416-432	Transformer K-6601GCE-1F	1	PCS		
6	90-5301-003A	Power Cord Black	1	PCS		
7	51-1600-005	Gear, PU, Original	1	PCS	U16-34023	A3
8	51-1698-002	Gear, POM, Original	1	PCS	U16-01062	A3
9	51-1698-001	Gear, POM	1	PCS	U16-01061	A3
10	52-0019-001	Quick Nut, SPN-3	1	PCS	E12-93009	A4
11	51-1605-002	Rotate Bracket, PS(MW-1)	1	PCS	U16-34003	A2
12	51-1634-004	Knob, ABS, Grey	1	PCS	U16-34004	A3
13	51-1639-013		1	PCS	U16-34005	A1
14	51-1632-011	Plastic Rotating Indicator, ABS	1	PCS	U16-34006	A3
15	52-0216-001	Spring, 7.3D*13T*0.8D Ni-Plating	1	PCS	U16-06006	A4
16	51-1600-001	Slide, PU	2	PCS	U16-06007	A4/2
17	52-8116-012	Contact Plate (A), 0.2T Copper	1	PCS	U16-06037	A4
18	52-8116-013	Contact Plate (B), 0.2T Copper	4	PCS	U16-06038	A4
19	51-1636-001	Contact Chip Cover, ABS, White	2	PCS	U16-34007	A3
20	51-1634-006	Rotate Stopper, ABS, White	1	PCS	U16-34008	
21	51-1618-004	Stopper for Direction,PC	1	PCS	U16-41028	A3
22	52-6513-001	Banding Post, 0.5T Tin-Plating	6	PCS	E13-15003	A4
23	58-4330-100	Square Nut, M3*0.5P*1.5T Zn-Plating	6	PCS	E02-01005	A4
24	57-3223-008A	Screw, M3*0.5P*8L Ni-Plating	6	PCS	U62-50012	A4/2
25	54-3323-020	Tapping Screw 3D*20L Ni-Plating	2	PCS		
26	54-3113-008	Tapping Screw 3D*8L Zn-Plating	2	PCS		
27	54-3113-012	Tapping Screw 3D*12L Zn-Plating	1	PCS		
28	52-0011-003	Fuse 250VAC 0.5A 5D*20L	1	PCS		
29	54-3113-530	Tapping Screw 3.5D*30L Zn-Plating	6	PCS		
30	56-2235-100	Teeth Washer I.D 3.5D*O.D 8D	6	PCS		
31	52-0001-026	Wire Connector, HWC-3	2	PCS		
32	53-0316-001	Insulating Plate, 58.6*31.6*0.5T	1	PCS	U16-08059	A4
33	21-6250-107	Electrolytic Cap 100uF/50V(+20%, -10%)	1	PCS		
34	53-0005-002	Foot Mat, EVA 12.7D*4.8T	4	PCS	E05-19008	A4
35	92-9801-400	Heat Shrinkable Tube, Black 8D*40mm	1	PCS		
36	92-9801-300	Heat Shrinkable Tube, Black 8D*30mm	2	PCS		
37	90-2521-139	PVC Insulated Wire, Red 135mm	1	PCS		
38	90-2561-169	PVC Insulated Wire, Blue 165mm	1	PCS		
39	90-2511-181	PVC Insulated Wire, Brown 180mm	1	PCS		

P A R T S L I S T

MODEL NO.: AR-302

第2頁

序號	子階料號	規 格	用量	單位	圖 號 /版次
40	90-2591-231	PVC Insulated Wire, White 230mm	1	PCS	
41	90-2501-221	PVC Insulated Wire, Black 230mm	1	PCS	
42	63-0000-001	Lubricant	1	G	
43	63-0000-002A	Petroleum Jelly	0,001	G	
44	62-1000-003	Locking Sealer	1	G	
45	66-0160-601A	Box, 192*190*68(mm)	1	PCS	U16-06065 A2
46	68-0160-814	Label,Coffee Color,34*14mm for SW-h	1	PCS	
47	AR-302(R)	ROTATOR	1	*SET	
48	52-4016-027	Upper Case Al Alloy,Golden Color	1	PCS	U16-01070 A1
49	52-4016-032	Bottom Case,Al Alloy	1	PCS	U16-01069 A1
50	53-1016-001	Gasket, Gum Black	1	PCS	U16-01005 A4
51	72-1634-003	Drive Body, aluminum	1	SET	U16-01071 A1
52	52-2016-001	Rotation Shaft, iron	1	PCS	U16-01004 A4
53	51-1622-001	Bushion(long),NYLON 66,White	1	*PCS	U16-01006 A4
54	51-1622-002	Bushion(short),NYLON 66,White	1	*PCS	U16-01007 A4
55	52-0017-002	Retaining Ring, ETW-15	2	PCS	
56	52-5816-001	Screw Endless,Drivon	1	PCS	U16-01009 A4
57	51-1622-003	Washer, NYLON 66 14D*1.7T	1	*PCS	U16-01008 A4
58	52-2816-001	Washer Screw Endless,	1	PCS	U16-01010 A4
59	52-2816-002	Directional Block 8W*16L*6H	1	PCS	U16-01011 A4
60	52-2016-002	Rotation Shaft,Iron Zinc-Plated 6.5	1	PCS	U16-01012 A4/0
61	52-2116-001	Pin 5.3D*27.5L	1	PCS	U16-06053 A4
62	52-8216-001	Screw Endless 12D*91.4L	1	PCS	U16-01013 A4
63	52-0017-001	Retaining Ring, ETW-6	1	PCS	
64	52-0116-041	Gear,Screw Endless,Iron 2.6T,84T Te	1	PCS	U16-01014 A4
65	72-1601-521	GEAR, 12T+64T	1	SET	U16-01017 A4
66	52-2016-026	Axies for Gear, Iron 2.98D	1	PCS	U16-08011 A4/8
67	52-9516-004		1	PCS	U16-01019 A4
68	52-0017-003	Retaining Ring ETW-2.3	1	PCS	
69	56-1063-910	Washer 12.7D*6.3D*0.3T	1	PCS	U16-01020 A4
70	56-5343-100	Spring Washer, 4.3D Zn-plating	2	PCS	
71	56-1352-910	Washer 11D*52.D*1.5T Copper Zn-Pla	1	PCS	U16-01021 A4
72	51-1622-004	Bushion,Screw, NYLON 66,Upper	1	*PCS	U16-01022 A4
73	51-1622-005	Cushion,Screw, NYLON 66,Bottom	1	*PCS	U16-01023 A4
74	51-1696-001	Bushing Screw, POM White	1	*PCS	U16-01024 A4
75	52-0003-002	Spring Pin,SPP 2D*13L	1	*PCS	U16-01067 A4
76	52-1416-012	Fixed Plated, Iron 2.5T Zn-Plating	1	PCS	U16-01028 A4
77	52-1516-101	Motor Fixed Pillar, Iron Zn-Plating	2	PCS	U16-01027 A4
78	57-3930-501	Screw 6#*32UNC*16L Zn-Plating	2	PCS	

P A R T S L I S T

MODEL NO.: AR-302

第3頁

序號	子階料號	規 格	用量	單位	圖 號 /版次
79	52-1416-013	Fixed Plate, Iron 1.2T Zn-Plating	1	PCS	U16-01030 A4
80	57-9900-013	SCREW 6#*32UNC*8.5L	1	PCS	U16-08061 A4/0
81	51-1632-001	4P Plating,ABS,Black	1	*PCS	U16-01032 A4
82	54-9900-003	SCREW M4*0.75P*18L	1	PCS	
83	55-9900-001	Nut M4*0.75P Zn-Plating	1	PCS	
84	53-0307-003	Clamp, 1.5T Cardboard	1	PCS	E03-11002 A4
85	57-3223-014	Screw M3*0.5P*14L Ni-Plating	2	PCS	
86	51-1631-001	Waterproof Cover,ABS,Black	1	PCS	U16-01034 A4
87	51-1628-001	Nut NYLON 66 4D*0.75P	1	PCS	U16-01035 A4
88	54-3930-201	Screw 3/16"*24UNC*13L Zn-Plating	3	PCS	
89	54-3930-200	Screw 3/16"*24UNC*20L Zn-plating	6	PCS	
90	52-0207-001	Spring, 6.8D*6T*0.4D	1	PCS	E01-20009 A4
91	52-0004-008	Rivet 6*5*3 Ni-Plating	2	PCS	U62-05015 A3
92	72-1608-005	Hardware Kits	1	SET	
93	63-0000-004	Lubricator, White	1	G	
94	66-8160-601	Polyfoam 158*70*29(mm)	1	PCS	U16-06028 A4
95	66-8160-603	Polyfoam 302*158*5(mm)	1	PCS	U16-06030 A4
96	66-8160-605	Polyfoam 158*70*35(mm)	1	PCS	U16-06014 A4
97	66-8160-606	Polyfoam 302*164*120(mm)	1	PCS	U16-06013 A1
98	68-0000-023	Serial Label, 30*5(mm)	1	*PCS	U16-34020 A4
99	68-0000-024		1	*PCS	U16-34020 A4
100	68-0160-401	Label,6D Red	1	PCS	U16-04004 A4
101	69-0113-001		1	PCS	E11-30002 A4
102	69-0000-015	CE Warning Label, 50*24(mm)	1	PCS	E62-32009 A4
103	66-1163-407A	Gift Box	1	PCS	
104	66-2163-402A	Instruction Sheet,	1	PCS	
105	68-0163-403A		1	PCS	U16-34013 A4
106	68-0160-604		1	PCS	U16-06066 A4
107	68-0163-406A		1,5	PCS	U16-34022 A4/1