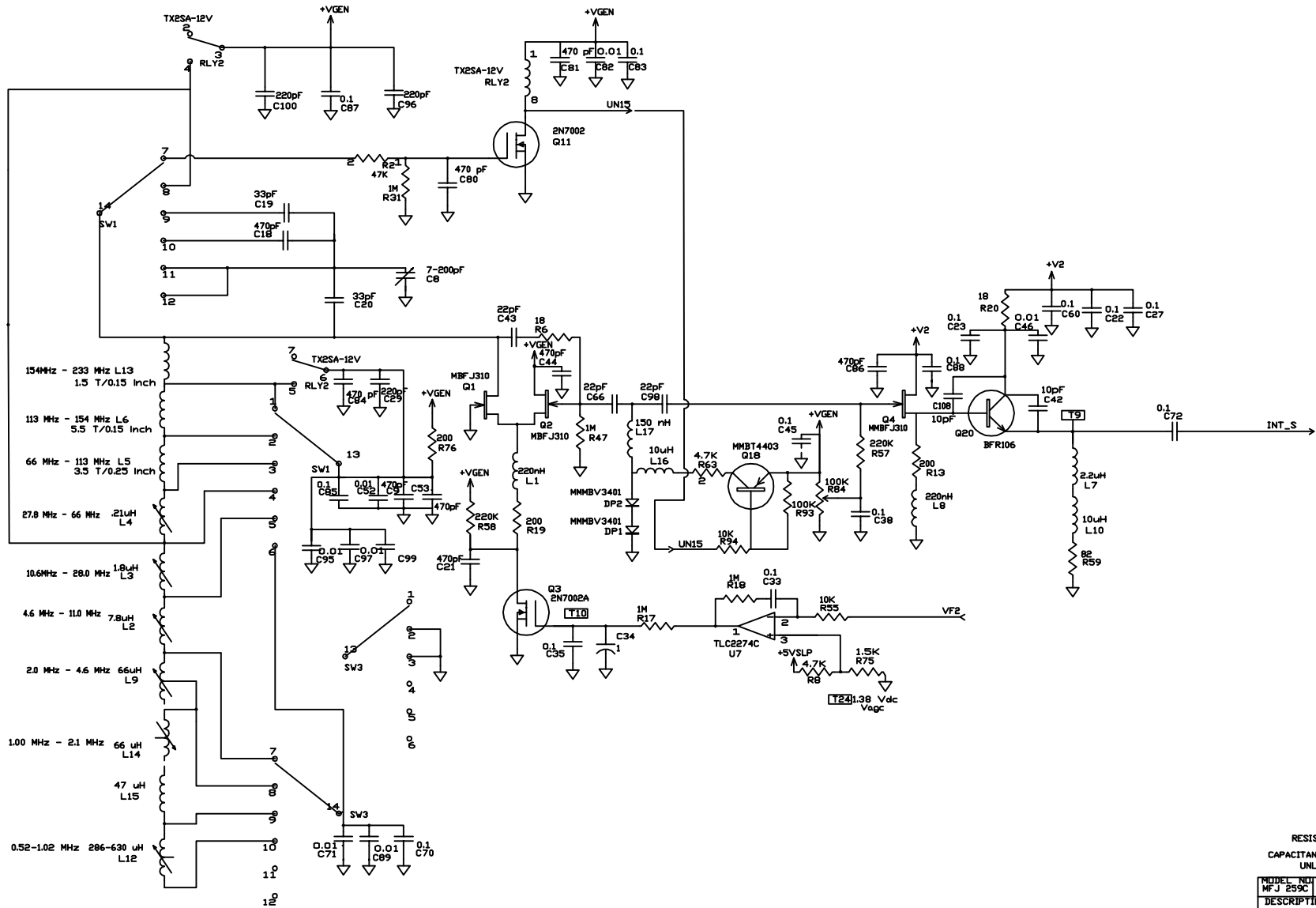


MH1 MH3

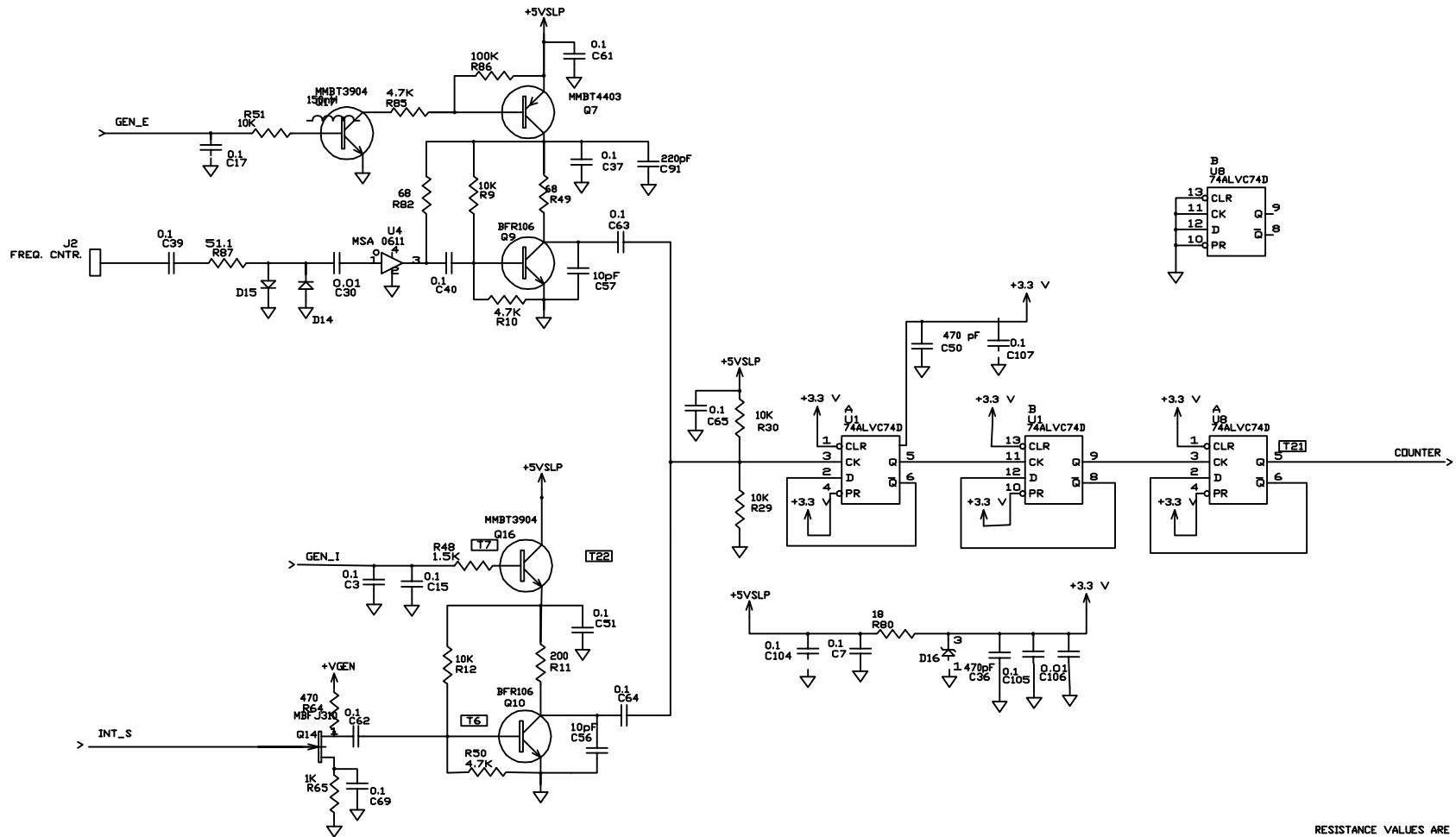
RESISTANCE VALUES ARE IN OHMS
CAPACITANCE VALUES ARE IN MICROFARADS
UNLESS OTHERWISE SPECIFIED

MODEL NO. MFJ 259C	REV. C	PART NO. 862-0259C	SHEET 1 OF 4
DESCRIPTION MICROCONTROLLER/ E. SWITCHES			
DATE 5/11/13	PC BOARD	MFJ ENTERPRISES INC. 300 INDUSTRIAL PARK RD STARKVILLE MS 39759	
REVISED	DRAWN BY		



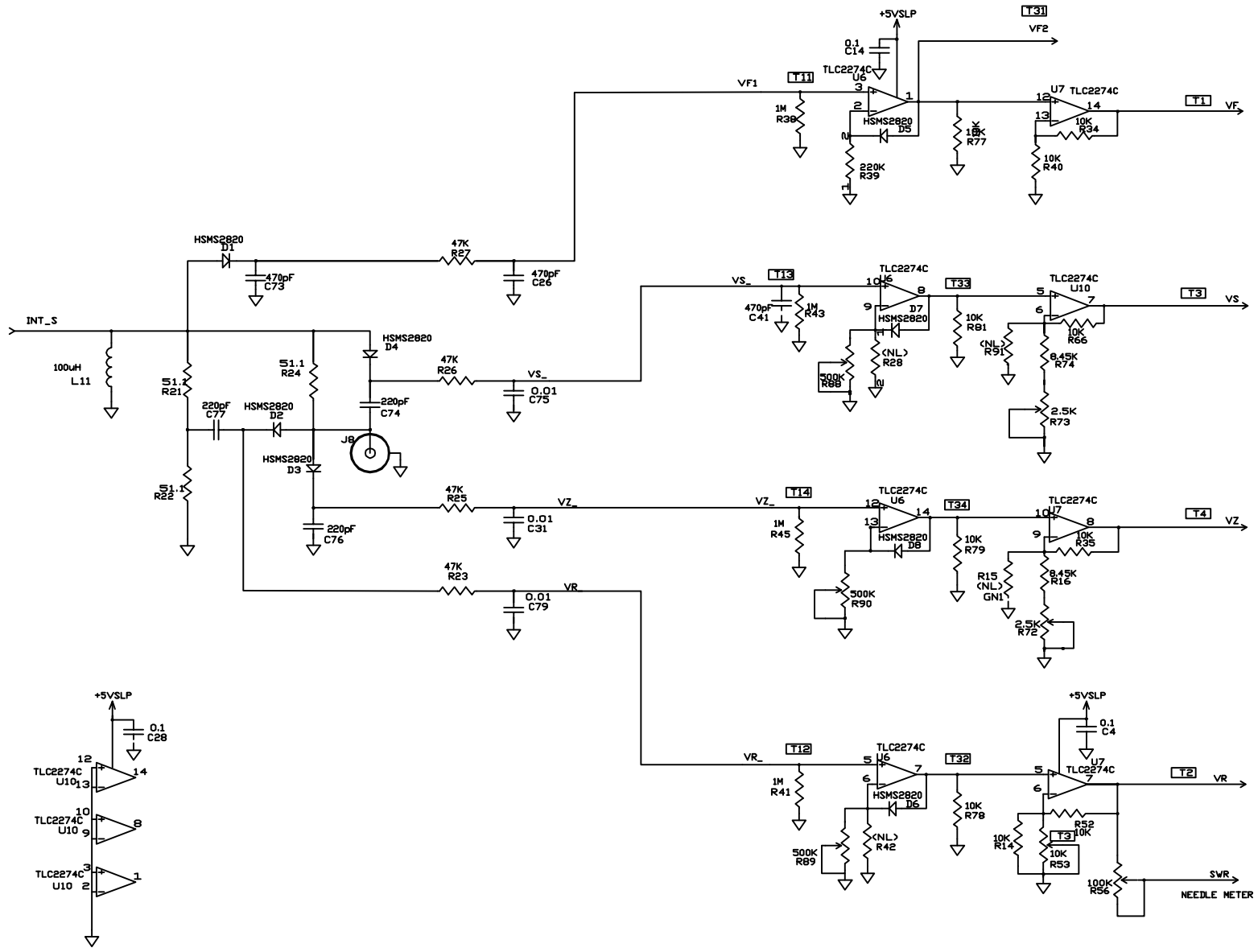
RESISTANCE VALUES ARE IN OHMS
CAPACITANCE VALUES ARE IN MICROFARADS
UNLESS OTHERWISE SPECIFIED

MODEL NO. MFJ 259C	REV. 7	PART NO. 892-259C	SHEET 2 OF 4
DESCRIPTION OSCILLATOR, BUFFER, AMPLIFIER			
DATE 10/01/13	PC BOARD REVISED	MFJ ENTERPRISES INC. 300 INDUSTRIAL PARK RD STARKVILLE MS 39759	



RESISTANCE VALUES ARE IN OHMS
CAPACITANCE VALUES ARE IN MICROFRADS
UNLESS OTHERWISE SPECIFIED

MODEL NO	REV.	PART NO.	SHEET 3	DF4
MFJ 259C	6	862-0259C		
DESCRIPTION				
RF SWITCHES, PRESCALER				
DATE	PC BOARD	MFJ ENTERPRISES INC.		
5/11/13		300 INDUSTRIAL PARK RD		
REVISED	DRAWN BY	STARKVILLE MS 39739		



RESISTANCE VALUES ARE IN OHMS
 CAPACITANCE VALUES ARE IN MICROFRADS
 UNLESS OTHERWISE SPECIFIED

MODEL NO. MFJ 259C	REV. 6	PART NO. 862-0259C	SHEET 4 OF 4
DESCRIPTION BRIDGE, VOLTAGES			
DATE 2/11/13	PC BOARD	MFJ ENTERPRISES INC. 300 INDUSTRIAL PARK RD. STARKVILLE MS 39739	
REVISED	DRAWN BY		