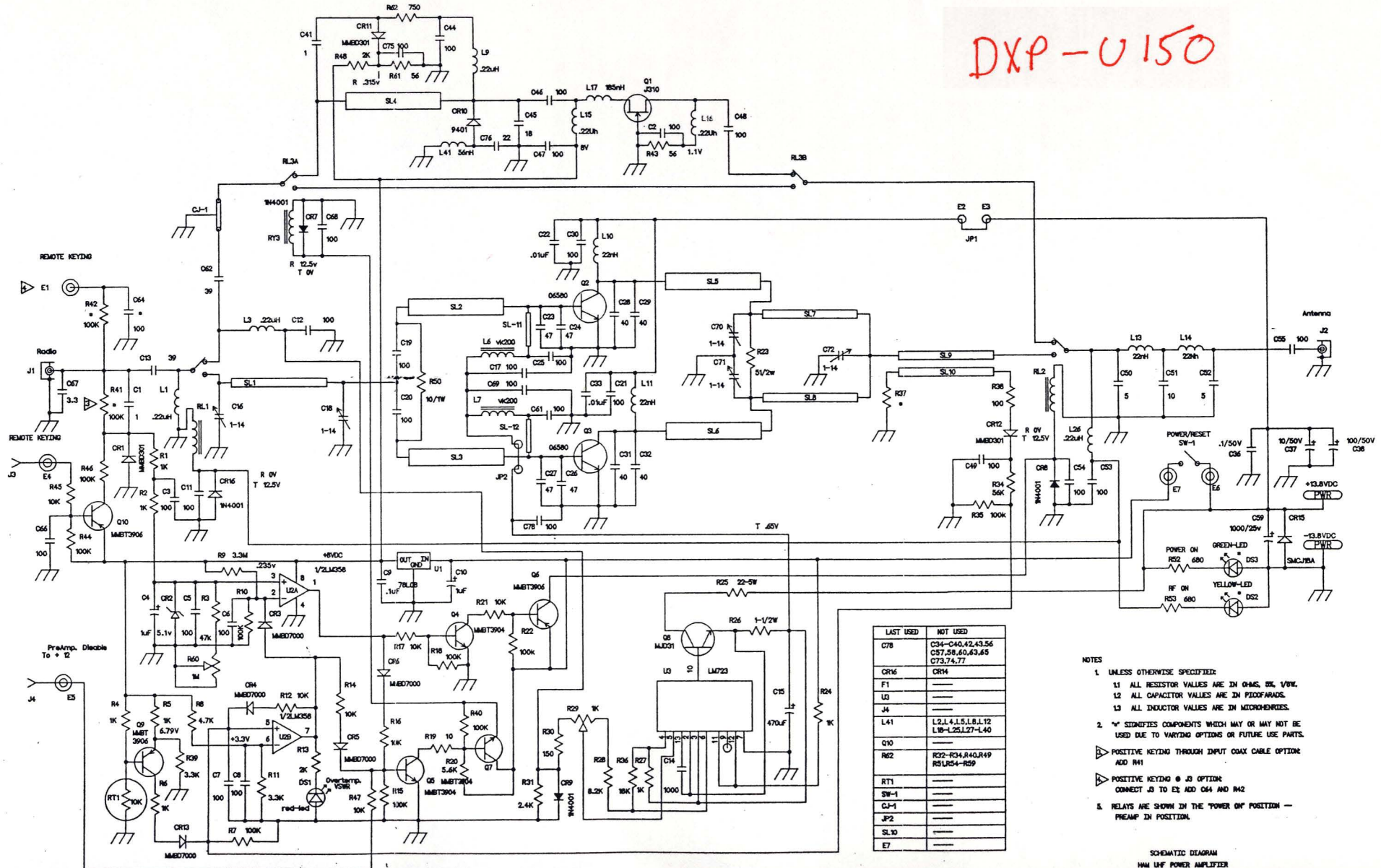


DXP-U150



LAST USED	NOT USED
C78	C34-C40,42,43,56
	C57,58,60,63,65
	C73,74,77
CR16	CR4
F1	---
L3	---
J4	---
L41	L2,4,11,5,8,11,12
	L18-L25,L27-L40
Q10	---
R62	R32-R34,R40,R49
	R51,R54-R59
RT1	---
SW-1	---
CJ-1	---
JP2	---
SL10	---
E7	---

- NOTES
- UNLESS OTHERWISE SPECIFIED:
 - ALL RESISTOR VALUES ARE IN OHMS, 5K, 10K, 100K, 1M.
 - ALL CAPACITOR VALUES ARE IN PICOFARADS.
 - ALL INDUCTOR VALUES ARE IN MICROHENRES.
 - SIGNIFIES COMPONENTS WHICH MAY OR MAY NOT BE USED DUE TO VARYING OPTIONS OR FUTURE USE PARTS.
- ▷ POSITIVE KEYING THROUGH INPUT COAX CABLE OPTION - ADD R41
 ▷ POSITIVE KEYING @ J3 OPTION - CONNECT J3 TO E2, ADD C64 AND R42
 5. RELAYS ARE SHOWN IN THE POWER ON POSITION - PREAMP IN POSITION.

SCHEMATIC DIAGRAM
HAM LF POWER AMPLIFIER