

### GENERAL:

The Expander 500 is a pre-amplified base station microphone featuring separate volume and tone controls. The microphone has a built-in meter for reading both audio input and battery condition. The Expander 500 has a 6 wire cable which makes it compatible with all transceivers.

## Base Station Communications



# SPECIFICATIONS for EX 500

## Dynamic Amplified Microphone

The compression pre-amplifier prevents over modulation and the resulting distortion that can occur when mouth-to-mike distance or speaking level varies during transmission. The tone slide control adjusts bass-treble balance for maximum speech clarity. The EX 500 uses a readily available 9-volt battery for the pre-amplifier and meter functions. A press-to-test button shows battery condition on the multi-functional meter.

Construction is a high impact butadiene styrene. The EX 500 features an adjustable tilt head and press-to-talk switch. The 6 wire cable makes the unit compatible with both electronic and relay switching. The dynamic cartridge assures ruggedness and uniform performance under adverse environmental conditions.

**Type:** Dynamic, amplified

**Pattern:** Omni-directional

**Impedance:** Low

**Output Level:** -30 db (0 db = 1 volt per microbar)

**Frequency Response:** 200-4,000 Hz, tailored to the voice

**Cable:** Coil Cord 5 conductors, 1 shielded. Retracted length 1/2 meter (1 1/2 ft.), Extended length 2 meters (6 1/2 ft.).

**Case:** High impact butadiene styrene

**Finish:** Painted

Bottom section, black

Upper section, satin chrome

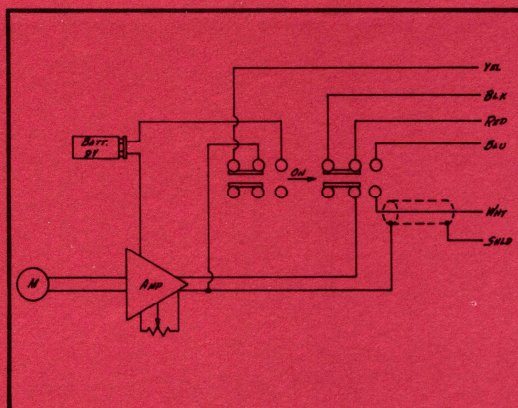
Head, black with satin chrome bezel

**Dimensions:** 136mm x 222mm x 241mm (5 3/8" x 8 3/4" x 9 1/2")

**Weight:** 800 grams (1 3/4 lbs.)

**Battery:** 9 volt (Eveready #216 or equivalent)

**Switching:** Electronic/Relay

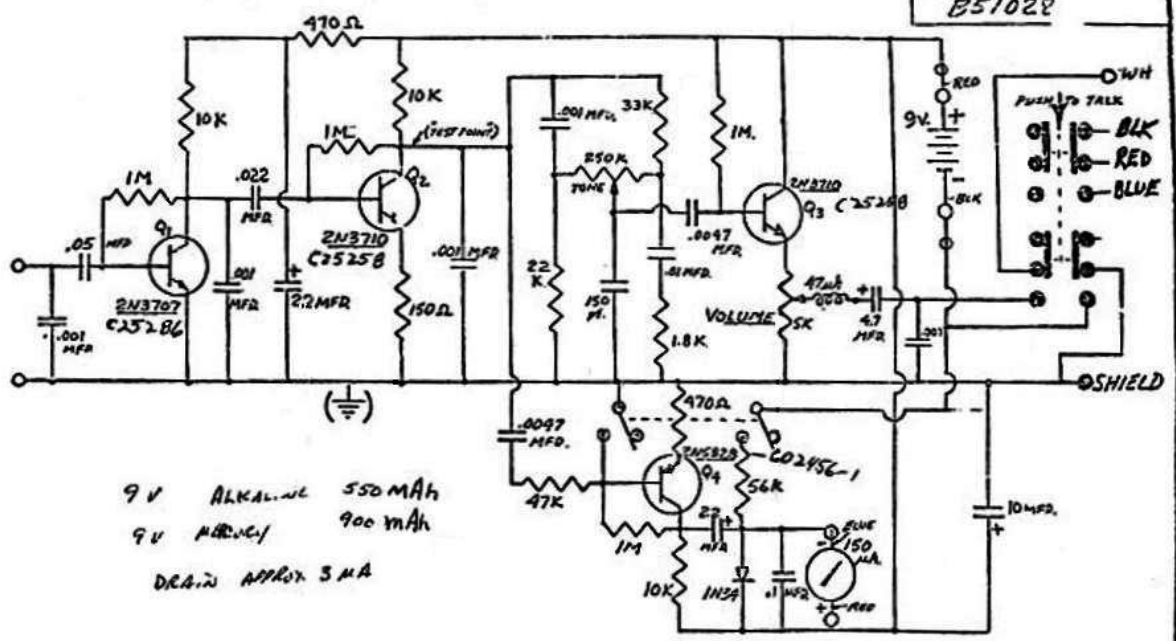


C91150

# TURNER MICROPHONES

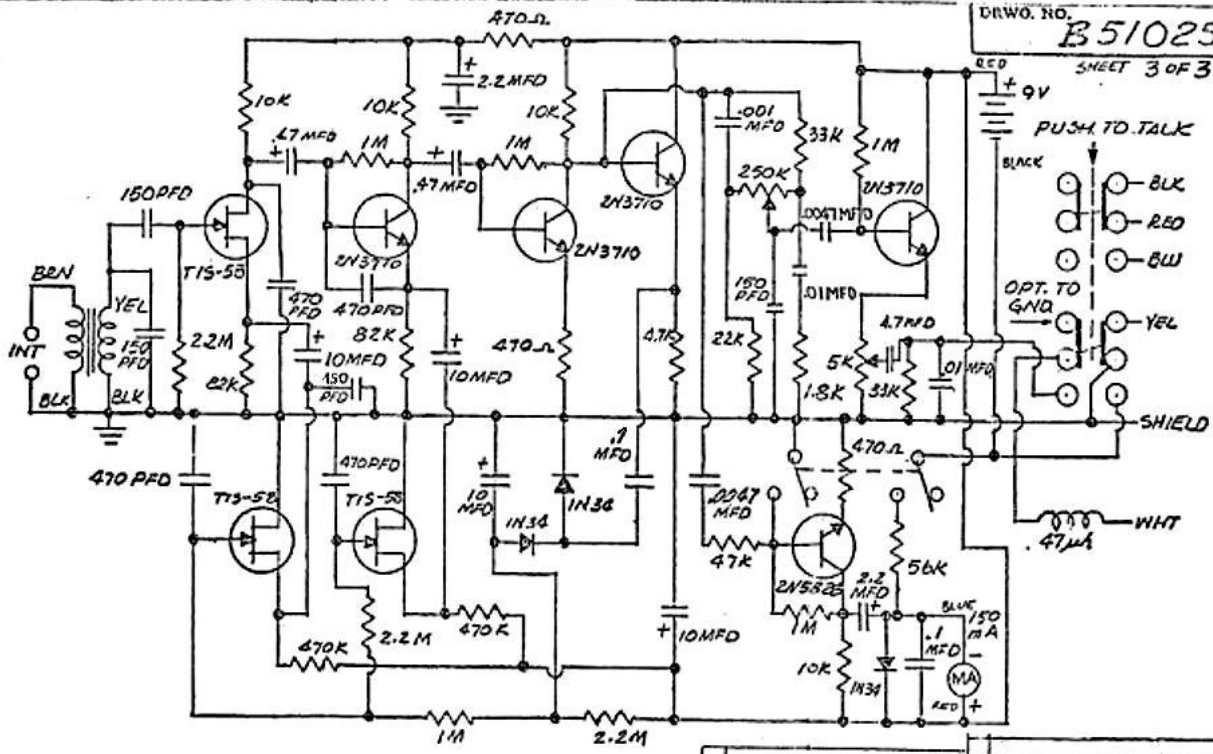
TURNER DIVISION OF TELEX COMMUNICATIONS, INC.  
8601 N.E. Highway 6, Lincoln, Nebraska 68505  
(402) 467-5321 telex: Hygain Lcn a 48-4324

DRWG. NO. **B51028**



9 V ALKALINE 550 MAh  
 9 V MERCURY 900 MAh  
 DRAIN APPROX 3 MA

|  |                               |
|--|-------------------------------|
| The Turner Co., ENGINEERING DEPT. CEDAR RAPIDS, IOWA, U.S.A. |                               |
| TITLE <u>SCHEMATIC</u>                                       | TOLERANCES: DRAWN FOR         |
| EXPANDER 500, SIMPLIFIED CIRCUIT                             | FRACTIONAL = 1/16 DATE 7-5-70 |
| SCALE 1" = 1" FIRST USED ON MODEL                            | DECIMAL = .004 DATE 7-5-70    |
|  | ANGULAR = 1/2° GIBCO 1/4"     |
|  | UNLESS OTHERWISE SPECIFIED    |
|  | DATE                          |
|  | DRWG. NO. <b>B51028</b>       |
|  | CHANGES                       |
|  | SIZE <b>A</b>                 |



Expander 500-8 Transistors

The Turner Co., ENGINEERING DEPT.

CEDAR RAPIDS, IOWA, U.S.A.

L C 767

18-77

TITLE  
SCHEMATIC

TOLERANCES DRAWN TO  
FRACTIONAL & DECIMAL DATE 10-18-77

CHAN

5

ISSUE