

MC-43S

INSTRUCTION MANUAL

KENWOOD

Your new MC-43S is a handy dynamic microphone with UP/DOWN frequency shift switches, specifically designed for use with KENWOOD transceivers.

FEATURES

- 1. Microphone with UP/DOWN micro switches**
Transmit frequency can be selected by the UP/DOWN switches on the microphone.
- 2. Optimum tone quality for communication use**
The microphone element frequency response has been carefully selected to provide high intelligibility and clear tone, which are indispensable for transceiver operation.
- 3. Easy operation and high reliability**
Designed on the basis of human engineering to ensure easy, fatigue-free operation.
The UP/DOWN switches can be operated while holding the microphone.
The PTT micro switch also assures easy and reliable operation.

NOTE:

1. For UP/DOWN operation switch, refer to the instruction manual for your transceiver.

CAUTION:

1. This microphone has a precision mechanism. Do not attempt to disassemble or modify the microphone, as it may result in deterioration of performance.
2. The microphone is very sensitive to mechanical shock. Handle it gently, and do not tap or drop it.

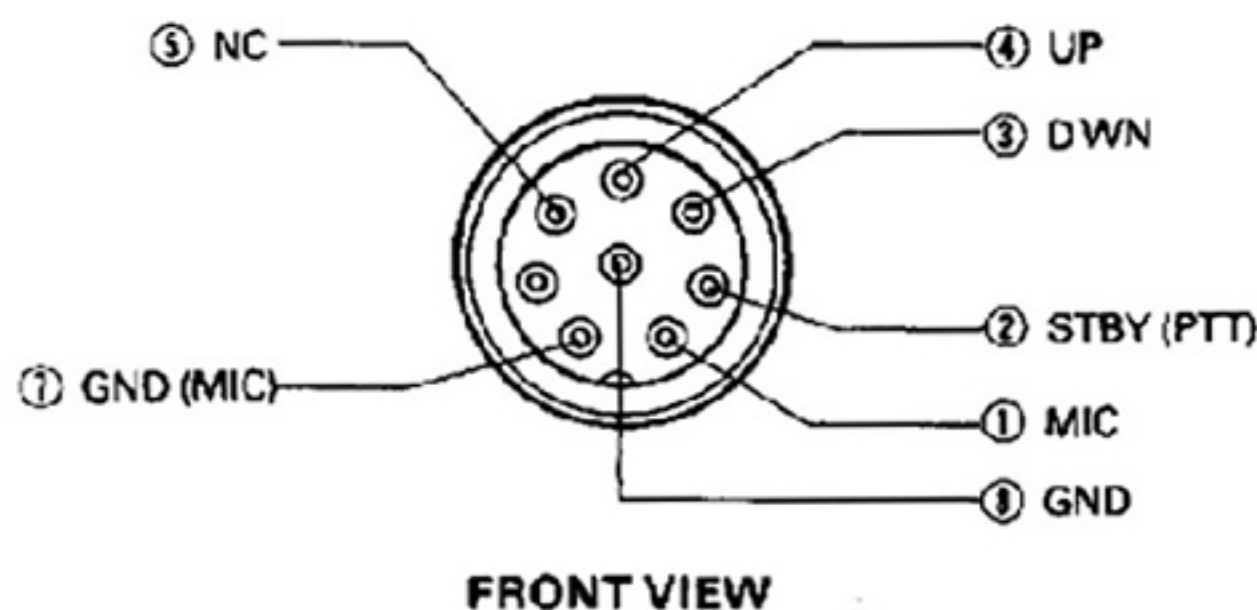
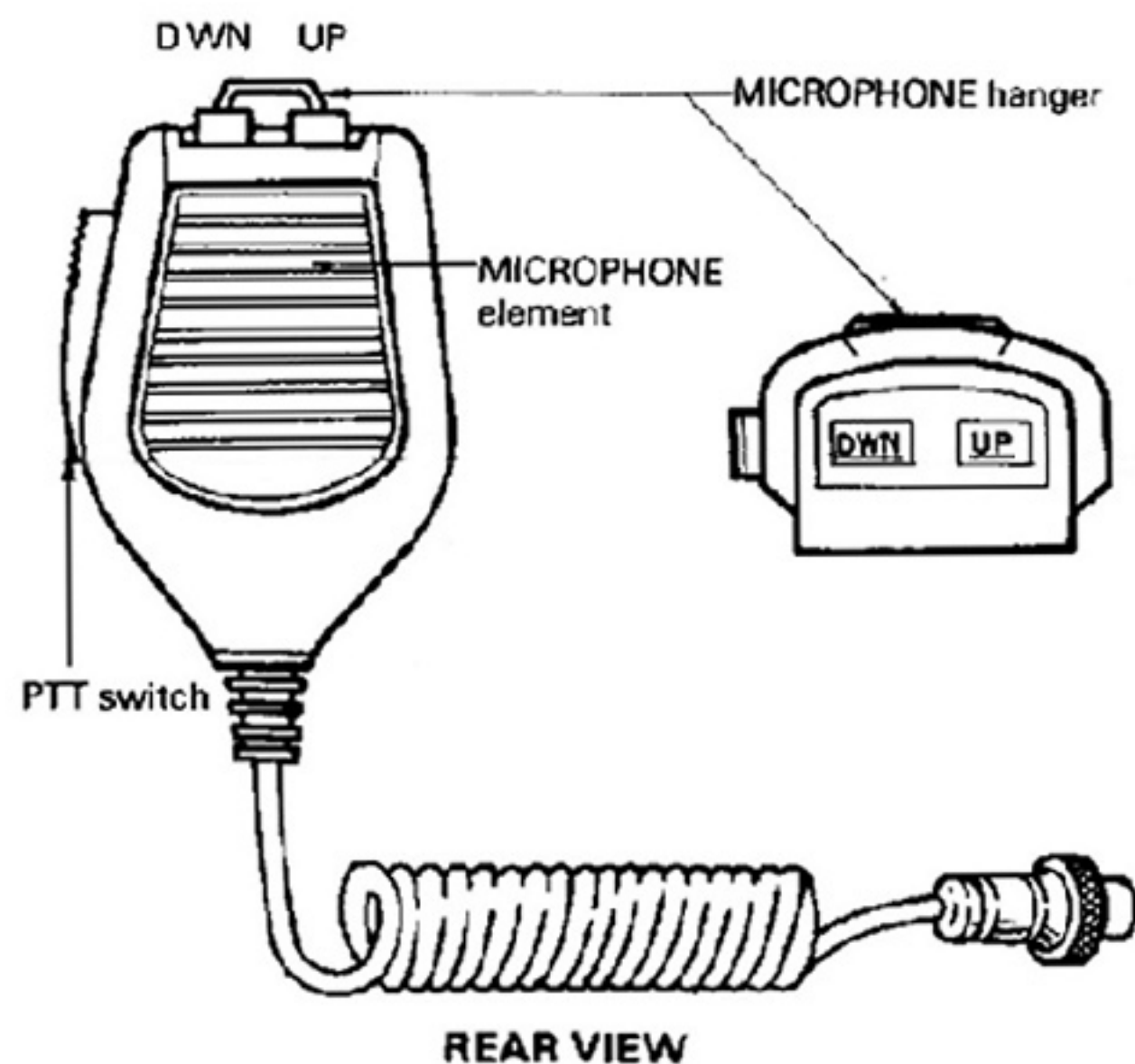
SPECIFICATIONS

| | |
|-------------------------|---|
| Type: | Dynamic microphone |
| Input impedance: | 600 ohms \pm 30% |
| Sensitivity: | -71 dB \pm 3 dB (at 1000 Hz, 2 cm from MIC head) |
| Directivity: | Omn-directional |
| Dimensions: | W 53 x H 82 x D 33.5 mm W 53 x H 113 x D 37 mm (projections included) |
| Weight: | 190 gr. (with cord) |

CONNECTION

Microphone input impedance is 600 ohms. Connect the microphone to a low impedance transceiver. The microphone cord with 8P plug can be connected directly to KENWOOD transceivers. When using the microphone with other types of transceivers, be sure to check that the wiring system and connector agree.

Nomenclature



KENWOOD CORPORATION

Shinogi Shibuya Building, 17-5, 2-chome Shibuya, Shibuya-ku, Tokyo 150-0002 Japan

KENWOOD USA CORPORATION

PO BOX 22745, 2201 East Dominguez St., Long Beach, CA 90801-5745 USA

KENWOOD ELECTRONICS DEUTSCHLAND GMBH

Rembrucker Str. 15 5055 Heusenstamm, West Germany

KENWOOD ELECTRONICS BENELUX N.V.

Mechelsesteenweg 41B B-1930 Zaventem, Belgium

KENWOOD ELECTRONICS AUSTRALIA PTY. LTD.

(INCORPORATED IN N.S.W.)

4E, Woodcock Place, Lane Cove, N.S.W. 2066 Australia