



Tron VHF

your safety – our concern

OPERATORS MANUAL

GB



EC Declaration of Conformity, available at www.jotron.com

The equipment complies with the following Directives:
MED 96/98/EC
EMC 89/336/EEC

Harmonized Standards applied in order to verify compliance with the Directive(s):
ETS 300 225:1998
EN 300 828:1998
EN 60945
EN 50022 class B

The information in this book has been carefully checked and is believed to be accurate. However, no responsibility is assumed for inaccuracies.



CAUTION!

This equipment contains CMOS integrated circuits. Observe handling precautions to avoid static discharges which may damage these devices.

JOTRON electronics a.s reserves the right to make changes without further notice to any products or modules described herein to improve reliability, function or design. JOTRON electronic a.s does not assume any liability arising out of the application or use of the described product.

WARNING / IMPORTANT

Jotron Electronics a.s. is a prime manufacturer of safety equipment designed for rescue of human lives and their property. For safety equipment to be effective in line with the design parameters it is important that they are handled, stowed and maintained in compliance with the manufacturers instructions. Jotron Electronics a.s. can not be held responsible for any damage caused due to incorrect use of the equipment or breach of laid down procedures or for failure of any specific component or other parts of the equipment.

The chapter covering battery replacement (5.1) is added for information only. Jotron Electronics a.s. does not take any responsibility for improper disassembling/assembly of the beacon. We strongly recommend all service to be done by authorized Jotron agents. In addition to normal service, Jotron agents have the necessary equipment and education to test the operational functions of the beacon. Non-original maintenance and/or service parts may destroy the equipment function and performance.



REVISION HISTORY

CHANGES	RECORD NO.	CHAPTER	VERSION
NEW MANUAL	EM3903	CAP. 5	B



TABLE OF CONTENTS

Glossary	5	4. SECONDARY BATTERY AND CHARGER.....	17
Battery Safety Data Sheet	6	4.1 Using the Nickel-Cadmium battery	17
Radio Log Instructions	7	4.2 How to charge the Nickel-Cadmium battery	17
Test and Maintenance Record	9	4.3 Special Care	18
		4.4 The tron charge Nicad battery.....	18
1. INTRODUCTION	10	5. MAINTENANCE AND SERVICE.....	19
1.1 General	10	5.1 How to take care of your Tron VHF	19
1.2 Features	10	5.2 Service	19
1.3 What comes with Tron VHF	11	5.3 Regular test procedure	20
2. OPERATION	12	5.4 Cleaning of dirt and oil	20
2.1 Outline Description	12	6. TROUBLESHOOTING	20
2.2 How to operate Tron VHF	14	6.1 Precautions	20
3. PRIMARY BATTERY	16	6.2 Guide to troubleshooting	21
3.1 How to change the battery	16	7. OPTIONS	21
3.2 When to change the battery	16		
3.3 Special Care	17	MARINE SERVICE AGENTS	23-29



GLOSSARY

C O S P A S

Cosmicheskaya Sistyema Poiska Avariynich Sudov
(Space System for the Search of Vessels in Distress)

S A R S A T

Search and Rescue Satellite-Aided Tracking System

EPIRB	Emergency Position Indicating Radio Beacon
LUT	Local User Terminal (Ground Station)
MCC	Mission Control Center
RCC	Rescue Coordination Center
km	kilometer
MHz	Mega-Hertz (10^6 Hertz)
GPS	Global Position System



BATTERY SAFETY DATA SHEET

(Form: EEC directive 91/155)

(2) SAFETY ADVICE

- S2 Keep out of reach from children.
- S8 Keep container dry.
- S26 In case of contact with eyes, rinse immediately with plenty of water and seek medical advice.
- S43 In case of fire, use D type extinguishers. Never use water.
- S45 In case of accident or if you feel unwell, seek medical advice immediately (show the label where possible).

(3) FIRST AID MEASURES

In case of contact of cell contents with eyes, flush immediately with water for 15 min. With skin, wash with plenty of water and take off contaminated clothes. If inhalation, remove from exposure, give oxygen, seek medical advice.

(4) FIRE-FIGHTING MEASURES

Extinguishing media

Suitable: Type D fire extinguishers

Not to be used: Water - CO² - Halon, dry chemical or foam extinguishers

Special exposure hazards

Generation of chlorine, sulfur dioxide, disulfur dichloride during thermal decomposition.

Special protective equipment

Use protective working boots, rubber apron and safety glasses with side shields.



INSTRUCTIONS FOR KEEPING THE RADIO LOG AND THE RADIO OPERATORS OBLIGATION ACCORDING TO NATIONAL AND INTERNATIONAL REGULATION.

1. The radio log shall be kept in accordance with requirements in the Radio Regulations, SOLAS Convention, national regulations regarding radio installations and the STCW Convention (STCW 95 including the STCW Code) including relevant regulation regarding watchkeeping on board passenger- and cargo ships.
2. Unauthorized transmissions and incidents of harmful interference should, if possible, be identified, recorded in the radio log and brought to the attention of the Administration in compliance with the Radio Regulations, together with an appropriate extract from the radio log. (STCW Code B-VIII/2 No.32)

TEST OF RADIO EQUIPMENT AND RESERVE SOURCE OF ENERGY

Weekly:

GMDSS handheld VHF transceivers to be tested without using the mandatory required emergency batteries.

Monthly:

Float-free and manual EPIRBs to be checked using the means provided for testing on the equipment. Check data for periodical maintenance requirement for float-free EPIRB.

Float-free EPIRBs are required to go through a periodical maintenance every 24 months. (Only for NOR/NIS flag vessels).

False alerts transmitted by EPIRB

False alerts are a serious problem for the rescue service. Nearly 90% of EPIRB initiated distress alerts turn out to be false alarms.

If for any reason, your EPIRB should cause a false alarm, it is most important that you contact the nearest search and rescue authority and tell them it was a false alarm. They can then stand down any rescue service (coast radio station or appropriate CES or RCC). Use any means at your disposal to make contact. Switch off the distress alarm by de-activating your EPIRB, as soon as possible.





TEST AND MAINTENANCE RECORD

DATE	N/T/B	SIGN	INSP

N=NEW EPIRB INSTALLED,T=TEST,B=NEW BATTERY



1 INTRODUCTION

1.1 GENERAL

TronVHF is specially designed and manufactured to comply with the GMDSS Survival craft two-way VHF radiotelephone apparatus. The radio is covering the specifications from the International Maritime Organization (IMO) Resolutions A.569(14), A.605(15) and A.694(17), A.809(19) ITU Radio-regulations 18 and 19, SOLAS 1974, as amended in 1988, and ETS 300 225.

TronVHF is a 156 MHz 1W radiotelephone with a housing made of rough glassfilled polycarbonate in a highly visible orange colour, and is a result of a comprehensive development to meet the requirements encountered under severe maritime conditions. It is possible to install up to 11 operating channels for international maritime mobile service and is well fitted for on-board communication.

1.2 FEATURES

– Watertight

TronVHF is watertight to a depth of 1 metre for 5 minutes. With the batteries 93002 and 93030, it is also floats in case of accidental drop in to the water.

– Rugged design

TronVHF is made to resist a drop from 1 metre onto a hard surface. It is also resistant to seawater, oil and sunlight, and is not unduly affected by this.

– Handling

TronVHF is made for easy operation, with a brief operating instruction printed on the front. It is possible to fully operate TronVHF with only one hand and operation when wearing thick gloves or survival suit gloves is no problem.

– Housing

TronVHF is of small size (70 x 195 x 50mm), and has no sharp edges to damage raft or clothing. It also comes with a belt clip and a short wrist strap for easy carrying.



– Low power consumption

TronVHF has a low power consumption and will operate for a long time. With a transmit, receive and standby ratio of 1 : 1 : 8 the battery lifetime is more than 8 hours.

– LED indicators

TronVHF is equipped with LED's to indicate its status. There are two LED's to tell which channel is active and one to indicate power output during transmission. The colour of the LED's are red, to prevent the night sight from being impaired. The Tx LED flashes when battery voltage is low.

– Frequency synthesizer

TronVHF is built with a frequency synthesizer to assure an easy channel selection, with high frequency stability.

– Electronic construction

TronVHF is built with surface mount techniques on one multilayer circuit board, to assure homogeneous quality and high reliability.

– Battery pack

The Battery pack is easily replaced without any tools. When mounted inside the radio it is protected from rough handling.

– Service

JOTRON's net of trained agents worldwide give the best service and support.

1.3 WHAT COMES WITH TRONVHF

X-93000 TronVHF GMDSS Complete packed

Consisting of:

X-93001 TronVHF without antenna and battery.

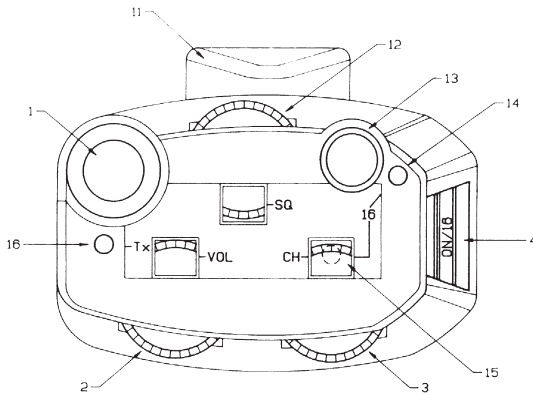
X-93025 Helical Antenna.

X-93002 Lithium Battery for GMDSS use.

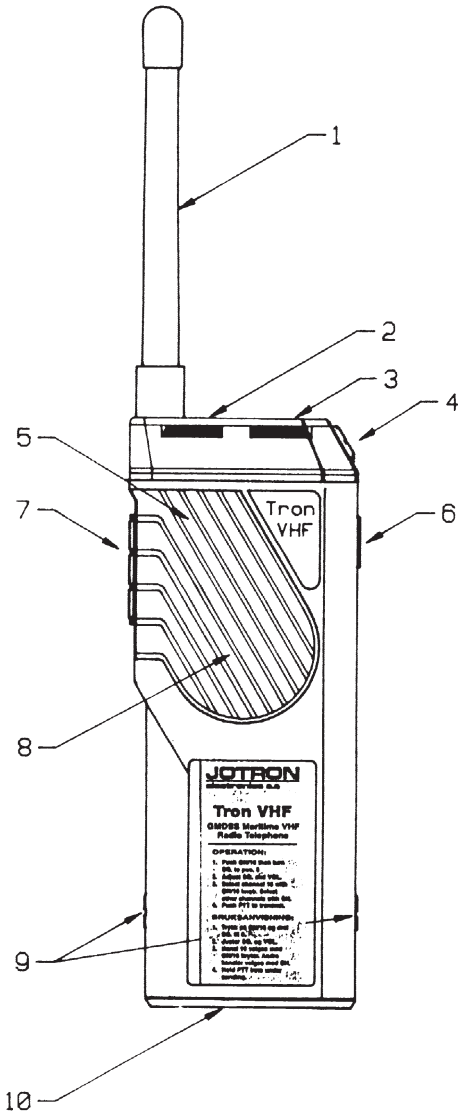
X-93035 Operators Manual.

2 OPERATION

2.1 OUTLINE DESCRIPTION



- 1) *Helical antenna*
The helical antenna is fastened with a M4 heavy duty thread.
- 2) *Volume control*
Sound volume is increased with increasing number in indication window.
- 3) *Rotary channel selector*
To select channel's, other than channel 16, turn rotary switch. The selected channel will be displayed in the window (15). The selected channel is only active when there is light under the channel number. If channel 16 is active, turning the rotary switch will activate rotary channel selector and turn of channel 16.
- 4) *ON / Channel 16 selector*
Pushing ON/16 turns on the power and puts the radiotelephone to channel 16. Whenever wanting channel 16 after having used another channel, push this button again.
- 5) *Microphone*
Talk into the microphone during transmitting.
- 6) *OFF switch*
Push OFF to switch off the power.
- 7) *PTT (Push To Talk)*
Push PTT for transmitting, release for receiving.
- 8) *Loudspeaker*
Sound is produced from the loudspeaker during receiving.



- 9) *Battery release buttons*
When changing battery, push these buttons and pull out the battery pack.
- 10) *Battery pack*
Supplies power to the radiotelephone. See section 3.1 for changing battery.
- 11) *Belt clip*
For attaching to a belt.
- 12) *Squelch control*
Squelch level is increased with increasing number in indication window.
- 13) *Remote connector*
Connector for remote equipment. See section A.2.3 for pin description.
- 14) *Channel 16 indication*
Light is indicating that channel 16 is selected.
- 15) *Selected channel indication*
Light is illuminating the selected channel number.
- 16) *Transmit indication*
The light is on during transmitting. This light is monitoring transmit output. If no output when PTT is pressed, this may indicate a fault.



2.2 HOW TO OPERATE TRONVHF

2.2.1 Switching ON and selecting channels

- 1) Turn VOL and SQ to position 0.
- 2) Turn TronVHF on by pushing the ON/16 button for 3 seconds. TronVHF is now working on channel 16.
- 3) Adjust the sound volume by turning VOL. Use noise from the loudspeaker to find a proper level.
- 4) Adjust the squelch level by turning SQ. Turn SQ carefully until noise from the loudspeaker is suppressed. Be careful not to turn the squelch level to high. This may lead to no squelch opening when weak signals are received. The TronVHF is now ready for reception.
- 5) Selecting another channel is done with the CH wheel. 16 light will switch off and CH light will switch on.
Re-selecting the channel 16 is done by pressing ON/16.

2.2.2 Emergency call sequence

- 1) Start the emergency call sequence by selecting channel 16.
- 2) Emergency calling:
 - Push PTT and send the emergency signal MAYDAY, repeated three times,
 - the words; THIS IS,
 - call sign or other identification on the mobile station being at distress, repeated three times.
 - Release PTT.



Emergency call answer:

- The word; MAYDAY
- the call sign or other identification, repeated three times.
- the words; THIS IS,
- call sign or other identification on the mobile station answering the emergency call, repeated three times,
- the words; RECEIVED MAYDAY.

When no answer:

- Repeat point 2).
- If there is no answer on channel 16, try any channel and repeat point 2).

3) Emergency message:

- Push PTT and send the emergency signal MAYDAY,
- call sign or other identification on the mobile station being at distress,
- information on position,
- what kind of emergency it is,
- what kind of help is needed,
- other information that can be of any help to the rescue operation,

4) Emergency traffic:

- During emergency traffic, always use the emergency signal; MAYDAY, in front of any radio-message.

5) Asking for silence on the air:

- In cases where the emergency station wants to order silence, use the words; SEELONCE MAYDAY.

2.2.3 Switching OFF

Switching off the TronVHF is done by pressing OFF button until all lights are off. This is indicating that power is off. If you are leaving the power on, the total operating time will be much shorter.



3 PRIMARY BATTERY

3.1 HOW TO CHANGE THE BATTERY

The primary battery unit is a 7.2V / 5000mAh lithium cell. This unit is specially designed for GMDSS emergency use to preserve a long shelf- and operating-life.

Type no. of battery: X-93002

Battery change procedure:

- 1) Hold down the two push-buttons on each side, and pull the battery pack out of the housing.
- 2) Check the gasket inside the housing for no damage.
If it is broken, replace it with a new (stock no. X-93024). Remove dirt when replacing the gasket.
- 3) Replace the expired battery. The label on the battery is marked with date of replacement.
The primary battery is equipped with a seal to prevent inadvertent use. Break this seal before use. Breaking this seal indicates that the shelf life has expired.
- 4) Push the new battery unit into the housing until you hear the two push-buttons are clicking into right position. Tron VHF will not be waterproof unless the pushbuttons are in correct position.

3.2 WHEN TO CHANGE THE BATTERY

Replace the battery before expiry date. The battery pack, 93002, has a shelf life of 4 years.

If TronVHF is indicating low voltage during a regular test procedure, also change the battery. The Tx LED also flashes when battery voltage is low.

To prevent the possibility of being in an emergency situation with a TronVHF equipped with a used battery, we strongly recommend storing an extra battery-set, 93002, in lifeboats and rafts. Store this battery without breaking the plastic bag sealing.



3.3 SPECIAL CARE

The battery pack, 93002, is of high energy lithium type, and some precautions must be taken.

Do not heat above 100°C, recharge, crush, disassemble or incinerate. This may result in fire, explosion and severe burn hazard.

Do not throw used batteries overboard, but return them to your local dealer.

4 SECONDARY BATTERY AND CHARGER

4.1 USING THE NICKEL-CADMIUM BATTERY

Tron VHF can be delivered with a rechargeable NiCad battery, type 93003/93030 (850mAh/400mAh) which is equipped with two connectors for charging with Tron CHARGE.

These battery are specially designed for On-Board communication.

After recharging the battery, it can be used in the same way as the primary battery unit. However, the voltage of Nickel-Cadmium batteries drops rapidly just before they are exhausted, so when the transmit indicator LED (Tx) goes out, be sure to immediately stop using it, and recharge the batteries again.

When changing the batteries, see chapter 3.1 How to change the battery.

4.2 HOW TO CHARGE THE NICKEL-CADMIUM BATTERY

1. Use the Tron CHARGE NiCad charger and power it up.
2. The power of Tron VHF must be switch OFF, or remove the battery unit from the transceiver.
3. Insert the Tron VHF / battery unit into the charging slot.
4. The Charge LED will indicate that the charge cycle is beginning. It is now operating in fast charge mode which will fully charge the battery within 4 hours.
5. When Charge LED goes out, the battery is recharged. The charger has now switched to trickle charge mode.



6. Charge temperature must be between 0°C and 40°C.
7. After charging, remove the unit from the charger. The Tron VHF and battery is now ready for operation.

4.3 SPECIAL CARE

The battery pack, 93003 and 93030, is of Nickel-Cadmium type, and some precautions must be taken.

Do not shortcircuit, solder, reverse charge, crush, disassemble or incinerate. This may result in fire, explosion and severe burn hazard.

Also avoid charging under 0°C or over 40°C.

4.4 THE TRON CHARGE NICAD CHARGER

The Tron CHARGE NiCad charger is specially made for charging your secondary battery, type 93003 or 93030. On the left side there is space for storing the primary emergency battery, type 93002.

The charger has a fast charge facility which fully charges the 93003 battery within 4 hours. When the battery is fully charged, this is detected, and Tron CHARGE switches to trickle charge mode. This is indicated with the Charge LED switching off.

There are also built in temperature sensors detecting charge temperature limits and sudden rises in battery temperature. If the charger is detecting out of limit temperatures, this causes the unit to switch to trickle charge mode. It is important to note that the absolute battery temperature is not detected by the charger, and must be within 0°C to 40°C when starting the charge cycle. The charger supply can be 230V AC, 115V AC, 12 to 16V DC or 24 to 28V DC. For changing the AC source, modifications must be done on the Printed Circuit Board. If a DC source is required, the power cable must be connected to the +12VDC socket within the unit. For 24 to 28V DC an extra resistor of 33ohm/20W must be connected in serial with the power supply. This resistor is available from JOTRON at stock number X-93750.

NOTE!

If Tron CHARGE is connected to a DC source with higher voltage than 16V DC, an extra resistor of 33ohm/20W must be connected in serial with the power supply. This resistor is available from JOTRON at stock number X-93750.



5 MAINTENANCE AND SERVICE:

5.1 HOW TO TAKE CARE OF YOUR TronVHF

TronVHF is constructed to endure the rough maritime environment. Still the life is dependent on taking care of the equipment. It is a good practice to regularly inspect and test the equipment to trace error symptoms and prevent more serious problems.

To keep in mind during inspection:

- If TronVHF has been immersed into sea water, it is a good practice to clean it in fresh water.
- Inspect battery sealing and battery gasket.
- Inspect the housing for defects which can affect the water sealing.

5.2 SERVICE

Warranty Service.

The warranty of the equipment is not valid if the customer has tried to repair, modify or rebuild the unit, deliberate or accidental damage, failure to follow JOTRON's instructions with respect to approved service agents or if the unit has been exposed to environmental conditions outside the specifications for the unit. As a standard Jotron Electronics AS warrants that this product will be free from defects in materials and workmanship for a period of 12 months from the date received by end user, limited to 18 months from purchase from Jotron.

If necessary to have the unit repaired, please return it carriage pre-paid to the agent where you did your purchase. Provided that the unit(s) returned for repair is found to be under warranty, man-hour cost and material cost will be covered by Jotron. Additional costs not related to repair/replacement of the unit will not be covered.

Out of Warranty Service.

For defects arising from normal wear and tear after 12 months of operation, limited to 18 months from purchase from Jotron, normal service conditions will apply.

For details see: <http://www.jotron.com>.



5.3 REGULAR TEST PROCEDURE

It is important to perform regularly testing to ensure proper operation in case of a distress situation. If TronVHF is used regularly, perform test every month. When TronVHF is stored in a lifeboat or raft, perform test at least once a year.

Step	Unit	Description
1	Battery	If Tx light is flashing, change the battery. Also check if Tx light is flashing during transmitting.
2	Volume control	Check if VOL control is smooth operating, and check if sound is increasing gradually.
3	Squelch control	Check if SQ control is smooth operating, and check that noise is muted with increasing squelch level.
4	Transmit	Check that Tx is lighting when transmitting. Tx light indicates that carrier is produced at the antenna output.
5	Talk test	Communicate with another radiotelephone to test receive and transmit functions.

5.4 CLEANING OF DIRT AND OIL

To clean away oil and dirt from the radio, use ordinary dish-soap and water. Immerse the radio into the solution for apx. 5 min. and wash it clean.
The water temperature can be up to 45°C warm. Finish of by rinsing with fresh water.

6 TROUBLESHOOTING

6.1 PRECAUTIONS

- Before shipping TronVHF for repair, please check fundamental procedures on operation and battery condition.
- On repair please contact your nearest JOTRON agent.
- Do not disassemble TronVHF unless you have JOTRON service authorization.
- See the next chapter for failure diagnosis. This may be of help when discussing problems with an JOTRON agent.



6.2 GUIDE TO TROUBLESHOOTING

Problem	Possible causes	Possible solutions
1 No lights are turning on at switch on, or Tx is flashing.	a) Battery is discharged. b) Failure in power supply.	a) Change to a fully charged battery. b) Voltages on circuit board must be checked.
2 All three light's are turned on.	TronVHF is in programming mode.	Reset by switching power OFF.
3 Channel light is flashing.	a, b) Frequency synthesizer is out of lock. c) Failure in frequency synthesizer.	a) An unprogrammed channel is selected; try another channel. b) Try a reset by switching power OFF. c) Test EEPROM for channel data. An JOTRON agent can do this. If this doesn't help, check synthesizer.
4 Tx light is not responding during transmitting.	Failure in transmitter.	Transmitter must be checked.
5 Tx light is on during transmitting but communication is impossible.	Use of wrong channel number.	Use same channel number as partner station.
6 You know there is a signal coming, but TronVHF is not responding.	a) Squelch is muting. b) Failure in receiver.	a) Adjust squelch to 0. b) Receiver must be checked.

7 OPTIONS

TronVHF can be supplied with the following equipment as options or spare parts. In order to protect the radio from mechanical wear and tear, we recommend using the leather carrier case with shoulder strap. If TronVHF is used for on-board communication, a battery charger and re-chargeable batteries are available specifically for this application. Other types of accessories are also available from JOTRON's agents.



Part no.	Description
31030	Headset type Peltor MT7H7A Noise reducing communication headset with two loudspeakers and boom-microphone.
31042	Adaptor cable, Peltor FL-9 type with PTT. Connecting Peltor headset to Tron VHF.
97623	Fist Microphone VM 2622
97624	Fist Microphone VM 2621, splash proof
93030	Rechargeable NiCad battery 400 mAh Black colour with orange top, (Makes the unit floating)
93003	Rechargeable NiCad battery 850 mAh Black colour, (Makes the unit non floating)
93080	Tron Charge battery charger, 220V AC as standard
93031	Leather carrier case
93750	Resistor set for Tron Charge, if powered by DC voltage higher than 16V
93475	Bulkhead bracket
97638	GMDSS Installation cabinet for 3 VHF

SPAREPARTS

Part no.	Description
93002	Emergency lithium battery Orange colour (Makes the unit floating)
93025	Antenna
93024	Battery gasket
93035	Operator's manual for Tron VHF
98761	Spacer for Tron Charge



DISTRIBUTORS & SERVICE AGENTS MAY 2005.

Please look at www.jotron.com for latest update. * = main agents & distributors

Antilles Netherland

*Radio Holland Curaçao
Curacao
Tel +5999 462 6866
Fax +5999 462 6880
ahijstek@rhcuracao.net

Argentina

*Industrial & Naval Group (ING)
Buenos Aires
Tel +54 11 4609 0007
Fax +54 11 4609 0008
info@ingsa.com.ar
www.ingsa.com.ar

Argentina

Signal S.A.
Buenos Aires
Tel +54 11 4251 1167
Fax +54 11 4251 1506
signals@infovia.com.ar

Australia

AWA Marine
South Melbourne, Victoria
Tel +61 3 9682 8558
Fax +61 3 9682 8560
peter.green@awamarine.com.au

Australia

Rubin Group Pty Ltd
New South Wales
Tel +612 9439 2333
Fax +612 9439 2278
marine@rubin.com.au
www.rubin.com.au

Belgium

*Radio Holland Belgium N.V.
Antwerpen
Tel +32 3 320 99 60
Fax +32 3 320 99 61
info@radioholland.be
www.radioholland.be

Belgium

Radio Holland Belgium N.V.
Zeebrugge
Tel +32 50 559855
Fax +32 50 559856
serv2@radioholland.be
www.radioholland.be

Brazil

*Metalock do Brasil Ltda
Santos
Tel +55 13 3222 4686
Fax +55 13 3222 4088
santos@metalock.com.br
www.metalock.com.br

Brazil

*Pontec Engenharia e Comércio Ltda.
Sao Francisco
Tel +55 21 2722 8001
Fax +55 21 2704 9584
service@pontec.com.br
www.pontec.com.br

Brazil

Belga Marine Electronica Ltd
Rio De Janeiro
Tel +55 21 22537171
Fax +55 21 22335806
belga@belgamarine.com.br

Bulgaria

*Elconsult Ltd.
Varna
Tel +359 52 234 493
Fax +359 52 600 999
elconsult@bulstar.net

Canada

*Atlantic Electronics Limited
Dartmouth, N.S.
Tel +1 902 468 3628
Fax +1 902 468 6646
sales@ael.ca
www.ael.ca

Canada

*Radio Holland (Canada) Ltd.
Vancouver, B.C.
Tel +1 604 293 2900
Fax +1 604 293 2930
rhvancouver@radioholland.ca

Canada

Marine Industriel System Inc.
Quebec
Tel +1 418 692 5005
Fax +1 418 692 1800

Canada

Navcom Marine Inc.
Montreal
Tel +1 450 466 6638
Fax +1 450 466 8829

Canada

Scantech Inc.
Québec
Tel +1 472 653 1772
Fax +1 418 652 1258

Canada

Ship's Electronic Services
Nova Scotia
Tel +1 902 861 3022
Fax +1 902 860 2547

Chile

*Electronic Marine Limitada
Valparaiso
Tel +56 32 22 00 50
Fax +56 32 59 31 35
em-mac@entelchile.net

Chile

*Equipos Industriales S.A.C.I.
Santiago
Tel +56 2 634 1232
Fax +56 2 635 4498
equipos@equipos.cl
www.equipos.cl

Chile

*Krypton Electronica Ltda.
Valparaiso
Tel +56 32 594 906
Fax +56 32 489 149
elservice@vtr.net

Chile

Transcontainer S.A.
Valparaiso
Tel +56 32 258061
Fax +56 32 213904

China

*Ningbo Hongzhou Electronics
Ningbo
Tel +86 574 87323025
Fax +86 574 87323156
nbsafe@mail.nbptt.zj.cn

China

Fujian Shipping Co.
Fuzhou
Tel +86 591 325990
Fax +86 591 3259716

China

Jason
Shanghai
Tel +86 21 6586 9212
Fax +86 21 6586 0231

China

Radio Holland Hong Kong Co. Ltd.
Shanghai
Tel +86 21 6322 9845
Fax +86 21 6322 9899
radio@uninet.com.cn
www.radiohollandchina.com

Colombia

*ITEC Electronica Maritima Ltda.
Cartagena
Tel +57 5 6633909
Fax +57 5 6633643
itec@ctgred.net.co
www.iteccolombia.com

Croatia

*Belam
Rijeka
Tel +385 51 452 962
Fax +385 51 431 078
belam@ri.tnnet.hr

Croatia

A.B.E. Inzenjering
Rijeka
Tel +385 51 211 828
Fax +385 51 211 818
abe-inzenjering@ri.tel.hr

Cuba

*Bryteside Tech Inc.
Habana Vieja
Tel +537 8617747
Fax +537 8633888
bryteside@colombus.cu

Cyprus

Tototheo Trading Limited
Limassol
Tel +357 25 569 155
Fax +357 25 567 033
totos@tototheo.com.cy

Denmark

*Uni-Safe Electronics AS
København S
Tel +45 325 81615
Fax +45 325 81330
info@unielec.dk
www.unielec.dk

Denmark

Danish Radio & Marine Electronics
Sorø
Tel +45 578 35002
Fax +45 578 31500
danishradio@hotmail.com

**Denmark**

Kelvin Hughes A/S
Århus
Tel +45 861 12888
Fax +45 861 12726
service@kelvinhughes.dk

Denmark

Maritek Marine Electronics
Strandby Vends.
Tel +45 984 81250
Fax +45 984 82066
maritek@maritek.dk

Denmark

Lindpro A/S
Esbjerg
Tel +45 751 23455
Fax +45 751 38408
bjk@monthor.dk

Denmark

Navicom Marine
Svenstrup
Tel +45 983 80047
Fax +45 983 80047
navicom@image.dk

Denmark

Pentagon Electric
Hjortshøj
Tel +45 862 23053
Fax +45 862 29229
mail@pentagon-electric.dk

Denmark

Semco Callenberg Marine A/S
Odense S
Tel +45 702 63501
Fax +45 702 63502
marineservices@semccallenberg.com

Denmark

Stella Marine
Frederiksværk
Tel +45 47761213
Fax +45 47761215
stellamarine@get2net.dk

Egypt

*Radio Holland Egypt S.A.E.
Alexandria
Tel +20 3 4806899
Fax +20 3 4804196
suezelec@alexnet.com.eg

Egypt

Radio Holland Egypt S.A.E.
Port Said
Tel +20 66 323801
Fax +20 66 228644

Egypt

Radio Holland Egypt S.A.E.
Suez
Tel +20 62 341474
Fax +20 62 320139

Ecuador

*VG Electronica
Guayaquil
Tel +593 4 231 0855
Fax +593 4 231 0850
service@vgelectronica.com
www.vgelectronica.com

Estonia

*AS RSTA
Tallinn
Tel +372 6 605850
Fax +372 6605715
rsta@rsta.com
www.rsta.com

Faroe Islands

Gummiðástjenesen
Torshavn
Tel +298 314913
Fax +298 310656
gbt@gbt.fo

Finland

*AT-Marine Oy
Vantaa
Tel +358 9 54942600
Fax +358 9 54942700
sales@atmarine.fi
www.atmarine.fi

France

Electronic Equipment (Main office)
Montivilliers
Tel +33 2 32 79 29 60
Fax +33 2 35 20 82 75

France

Electronic Equipment
Marseille
Tel +33 49 1699024
Fax +33 49 1699112

France

Martec
Sevres
Tel +33 14 6237126
Fax +33 14 6237157
marine@martec.fr
www.martec.fr

Germany

*Nera GmbH
Hamburg
Tel +49 40 682770
Fax +49 40 68 277 135
Nera.HH@nera.no
www.nera.de

Germany

Lammers Schiffselektronik GmbH
Leer
Tel +49 491 66500
Fax +49 491 66831
lseleer@t-online.de

Germany

Pro Nautas
Leer
Tel +49 491 987900
Fax +49 491 9879029
info@pro-nautas.com

Germany

TELcom Electronics Trade GmbH
Hamburg
Tel +49 40 656 8960
Fax +49 40 656 89777
telcom@telcom-germany.de
www.TELCOM-Germany.de

Germany

Ing.-Büro Querin GmbH
Dollern
Tel +49 4163 811631
Fax +49 4163 811633
www.querin-shipsupply.com

Gibraltar

Sandvik Marine Group
New Harbour
Tel +350 79003
Fax +350 46419
sandvik@gibnet.gi
www.sandvikmarine.com

Greece

*ELINE-A.J.Karageorgis Marine
Hellenico
Tel +30 210 96 46 174/75
Fax +30 210 96 46 178
eline@eline.com.gr
www.eline.com.gr

Greece

*Radio Holland Greece
Piraeus
Tel +30 210 411 02 60
Fax +30 210 417 77 84
a.vezryi@srhmar.gr
www.srhmar.com

Greece

Fastnet Radio Ltd
Nea Smyrni - Athens
Tel +30 210 9356516
Fax +30 210 9357088
fastnet@acci.gr

Greece

Hellenic Radio Services S.A.
Piraeus
Tel +30 210 41 81 218
Fax +30 210 42 82 883
hrs05@otenet.gr

Greenland

Brand-og redningsmateriel
Godthåb
Tel +299 349988
Fax +299 320438
info@brand.gl
www.securitas.gl

Greenland

O.S. Elektronik
Nuuk
Tel +299 23536
Fax +299 22779
os.electronic@greennet.gl

Hong Kong

*Radio Holland Hong Kong Co. Ltd.
Kwai Chung, NT
Tel +852 2423 9007
Fax +852 2480 5898
rhhk@radioholland.com.hk
www.radiohollandhongkong.com

Iceland

*Radiomidun Ltd.
Reykjavik
Tel +354 511 1010
Fax +354 511 1020
office@radiomidun.is
www.radiomidun.is

India

*Elektronik Lab
Mumbai
Tel +91 22 24715115
Fax +91 22 24710444
gmelab@boms3.vsnl.net.in

India

Elektronik Lab
Chennai (Madras)
Tel +91 44 24342839
Fax +91 44 24325264
navtek@vsnl.com

**India**

Elektronik Lab
Port Blair
Tel +91 31 29232308
Fax +91 31 29230896

Indonesia

*PT Panorama Timur Jaya
Jakarta
Tel +62 21 475 6788
Fax +62 21 475 1688
sales@panorama.co.id
www.panorama.co.id

Ireland

Navcom Electronics Ltd.
Cork
Tel +353 214 354 334
Fax +353 214 354 431
navcom@eircom.net

Ireland

Union Chandlery Ltd.
Cork
Tel +353 21271643
Fax +353 21273426

Italy

*Compagnia Generale Telemar
Roma
Tel +39 063 221800
Fax +39 063 240148
sales@cgtelemar.com

Italy

*Telecom Italia S.p.A.
Roma
Tel +39 06 36881
Fax +39 06 6540 0100
www.telecomitalia.it

Italy

Compagnia Generale Telemar
Genova
Tel +39 010 592641
Fax +39 010 5704026

Italy

Compagnia Generale Telemar
Napoli
Tel +39 081 5525901
Fax +39 081 5514601

Italy

Compagnia Generale Telemar
Venezia
Tel +39 041 5227351
Fax +39 041 5210689

Italy

Telecom Italia S.p.A.
Augusta (Sicily)
Tel +39 093 170275
Fax +39 093 1991277

Italy

Telecom Italia S.p.A.
Bari
Tel +39 080 5084602
Fax +39 080 5722303

Italy

Telecom Italia S.p.A.
Genova
Tel +39 010 5973320
Fax +39 010 265097

Italy

Telecom Italia S.p.A.
Napoli
Tel +39 081 7225268
Fax +39 081 7225333

Italy

Telecom Italia S.p.A.
Palermo
Tel +39 091 7508269
Fax +39 091 7508270

Italy

Telecom Italia S.p.A.
Taranto
Tel +39 099 4527813
Fax +39 099 4594296

Italy

Telecom Italia S.p.A.
Trieste
Tel +39 040 7788945
Fax +39 040 308375

Italy

Telecom Italia S.p.A.
Venezia
Tel +39 041 5224758
Fax +39 041 5230931

Israel

*Haifa Marine Electronics Ltd
Haifa
Tel +972 4 8507935
Fax +972 4 8510691
eldar@haifamarine.com
www.haifamarine.com

Israel

AlhoutYam
Haifa
Tel +972 4 8605522
Fax +972 4 8627404
m_yules@alhoutyam.co.il

Japan

*Kaigai Gijyutsu K.K.
Yokohama
Tel +81 45 664 7318
Fax +81 45 664 7320
cs@kgkjp.com

Japan

Kaigai Gijyutsu K.K.
Kobe
Tel +81 78 331 2705
Fax +81 78 331 2703
kgkkobe@po1.dtiz.ne.jp

Korea

*Hanshin Electronics Industrial Co.
Pusan
Tel +82 51412 5551
Fax +82 51412 6660
hsmail@hanshin-elec.com

Korea

*Jaeun Corporation
Pusan
Tel +82 51 465 8999
Fax +82 51 465 8515
jaeun@jaeun.co.kr
www.jaeun.co.kr

Korea

*Sky Radio Co. Ltd.
Pusan
Tel +82 51 417 9500
Fax +82 51 415 1400
skyradio@kornet.net

Korea

ShinDong Digitech Co., Ltd.
Pusan
Tel +82 51 467 5001
Fax +82 51 467 5002
shindong@shindong.com
www.shindong.com

Kuwait

*Navigator United Group
Darwaza
Tel +965 246 0974
Fax +965 246 0975
apvndn@kems.net

Latvia

*Hansa Electronics SIA
Riga
Tel +371-7020460
Fax +371-7333873
hansael@hansael.lv
www.hansael.lv

Latvia

*Reids
Riga
Tel +371 780 1159
Fax +371 780 1158
reids@reids.lv

Lithuania

*UAB RSB Novikontas
Klaipeda
Tel +370 46 304030
Fax +370 46 342475
vs@novikontas.lt
www.novikontas.lt

Lithuania

UAB Laivo Radijas
Klaipeda
Tel +370 46 312528
Fax +370 46 218053
lrdo@takas.lt
www.rsb.lt

Malaysia

*Radii Electronics Sdn. Bhd.
Klang, Selangor Darul Ehsan
Tel +603 33712214
Fax +603 33712893
radii@po.jaring.my

Malta

Medcomms Ltd.
Gzira
Tel +356 335521
Fax +356 310820
admin@medcomms.com.mt

Mexico

Radio Holland Mexico
Veracruz
Tel +52 229 318664
Fax +52 229 310947
rhveracruz@ver.megared.net.mx

Morocco

*Soremar
Casablanca
Tel +212 22 405050
Fax +212 22 248252
soremar@soremar.co.ma

Netherlands

*Radio Holland Netherlands B.V.
Rotterdam
Tel +31 10 4283 344
Fax +31 10 4281 498
info@radioholland.nl
www.radioholland.nl

Netherlands

*Northrop Grumman Sperry Marine
Vlaardingen
Tel +31 10 4451 600
Fax +31 10 4346 102
www.litton-marine.com

**Netherlands**

*Sailtron B.V.
Houten
Tel +31 30 2 840 850
Fax +31 30 2 937 642
sailtron@sailtron.com

Netherlands

Radio Holland Netherlands B.V.
Delfzijl
Tel +31 596 633999
Fax +31 596 617995

Netherlands

Radio Holland Netherlands B.V.
Den Helder
Tel +31 223 61 20 98
Fax +31 223 61 53 17

Netherlands

Radio Holland Netherlands B.V.
Ijmuiden
Tel +31 255 530844
Fax +31 255 515303

Netherlands

Radio Holland Netherlands B.V.
Vlissingen
Tel +31 118 471655
Fax

New Zealand

Crystal Electronics Ltd.
Penrose, Auckland
Tel +64 9 579 3726
Fax +64 9 525 2687
sales@crystal.co.nz
www.crystal.co.nz

Nigeria

*OC International Limited
Port Harcourt
Tel +234 84 23 6508
Fax +234 84 23 8822
ocmarine@ocmarine.com
www.ocmarine.com

Norway

*Navy Lofoten AS
Ballstad
Tel +47 76 05 44 00
Fax +47 76 05 44 05
trond-o@online.no

Norway

*Bergen Maritime Elektro AS
Bergen
Tel +47 55 94 67 00
Fax +47 55 94 67 01
bergen.maritim@navy.no

Norway

*Arne Bjørnrvold
Sandnessjøen
Tel +47 75 04 02 18
Fax +47 75 04 06 40
abjoernv@online.no

Norway

*Brommeland Elektronikk A/S
Haugesund
Tel +47 52 70 32 52
Fax +47 52 71 39 23
skips@brommeland.no

Norway

*AS Elektrisk Mandal
Mandal1
Tel +47 38 26 78 10
Fax +47 38 26 78 11

Norway

*Elektro Bodø AS
Bodø
Tel +47 75 50 37 00
Fax +47 75 50 37 40
firmapost@elektro.no
www.elektro.no

Norway

*Elektro Skagerrak
Risør
Tel +47 37 14 39 14
Fax +47 37 14 39 15
post@elektro-skagerrak.no
www.elektro-skagerrak.no

Norway

*Florvaag Elektronikk A/S
Ålesund
Tel +47 70 14 76 06
Fax +47 70 14 76 12
florvaa@online.no
www.florvaag.no

Norway

*Furuno Norge A/S
Ålesund
Tel +47 70 10 29 50
Fax +47 70 12 70 21
furuno@furuno.no
www.furuno.no

Norway

*Basse Gundersen AS
Skien
Tel +47 35 90 04 00
Fax +47 35 52 24 35
postmaster@basse-gundersen.no

Norway

*J.M. Hansen A/S
Tromsø
Tel +47 77 66 55 00
Fax +47 77 66 43 81
tromso@navy.no

Norway

*Harstad Elektronikk AS
Harstad
Tel +47 77 04 02 00
Fax +47 77 04 02 01
post@harstad-elektronikk.no

Norway

*IMES a/s
Tromsø
Tel +47 77 66 46 00
Fax +47 77 66 46 50
imes@imes.no
www.imes.no

Norway

*Johnsen & Co.
Stokmarknes
Tel +47 76 11 75 50
Fax +47 76 11 75 59
stokmarknes@navy.no

Norway

*Kvinnherad Elektro
Rosendal
Tel +47 53 48 28 00
Fax +47 53 48 28 20
post@k-el.no

Norway

*Landor Larsen Elektronikk A/S
Stavanger
Tel +47 51 88 68 68
Fax +47 51 88 68 61
mail@landorlarsen.no
www.landorlarsen.no

Norway

*Emil Langva A/S
Ålesund
Tel +47 70 10 14 40
Fax +47 70 12 95 96
a.c.langva@email-langva.no
www.emil-langva.no

Norway

*Maritim Elektro AS
Omastrand
Tel +47 56 55 05 60
Fax +47 56 55 42 02
maritimelektro@maritimelektro.no

Norway

*Myre Elektronikkservice A/S
Myre
Tel +47 76 13 31 90
Fax +47 76 13 31 41
khholmer@online.no

Norway

*Måløy Radioforretning A/S
Måløy
Tel +47 57 85 26 00
Fax +47 57 85 26 01
radiofor@online.no

Norway

*NavCom A.S
Bergen
Tel +47 55 50 64 10
Fax +47 55 50 64 11
navcom@navcom.no
www.navcom.no

Norway

*Neratek as
Oslo
Tel +47 22 76 31 10
Fax +47 22 76 31 11
post@neratek.no

Norway

*Nordkontakt AS
Bodø
Tel +47 75 55 05 00
Fax +47 75 54 88 51
firmapost@nordkontakt.no
www.nordkontakt.no

Norway

*NSI Svein Hatvik AS
Bergen
Tel +47 55 21 22 00
Fax +47 55 21 22 01
svein_hatvik@nsias.no
www.nsias.no

Norway

*Sandvik Marine Group
Tønsberg (Tjøme)
Tel +47 33 30 27 80
Fax +47 33 30 27 91
post@sandvik.com
www.sandvikmarine.com

Norway

*Oddstøl Elektronikk A/S
Kristiansund N
Tel +47 71 56 69 30
Fax +47 71 56 69 34
kristiansund@navy.no
www.oddstol.no

Norway

*Radio Holland Norway AS
Oslo
Tel +47 23 33 80 00
Fax +47 23 33 80 01
post@radioholland.no
www.radioholland.no

**Norway**

*A/S Radioservice
Båtsfjord
Tel +47 78 98 57 00
Fax +47 78 98 57 20
radioservice@online.no

Norway

*A/S Ramek
Bodø
Tel +47 75 50 21 50
Fax +47 75 50 21 70
bodo@mobidata.no

Norway

*Sletten Electronics A/S
Ålesund
Tel +47 70 10 13 90
Fax +47 70 10 13 99
firmapost@sletten-electronics.no

Norway

*Sigurd Solberg
Florø
Tel +47 57 75 13 00
Fax +47 57 75 13 10
skips.service@sigurd-solberg.no

Norway

*Sveggen Elektromek A/S
Averøy
Tel +47 71 56 67 15
Fax +47 71 56 67 20
j.kristiansen@elmarin.no

Norway

*Tel-Rad AS
Fredrikstad
Tel +47 69 31 56 16
Fax +47 69 31 95 09
tel-rad@navy.no
www.tel-rad.no

Norway

*Total Elektronikk AS
Bodø
Tel +47 75 54 88 88
Fax +47 75 54 88 99
post@total-elektronikk.no
www.total-elektronikk.no

Norway

*Ulstein Elektro A.S
Ulsteinvik
Tel +47 70 01 38 50
Fax +47 70 01 38 70
rolf-petter.almli@ulsteinelektro.com
www.ulsteinelektro.com

Norway

*Unitech Ship Service AS
Porsgrunn
Tel +47 35 56 41 19
Fax +47 35 56 26 13
uni@uss.no
www.uss.no

Norway

*Vico A/S
Haugesund (Avaldsnes)
Tel +47 52 84 66 00
Fax +47 52 84 66 01
vico@vico.no
www.vico.no

Norway

*Arne Wahl Olsen A/S
Rørvik
Tel +47 74 36 09 90
Fax +47 74 36 09 91
rorvik@navy.no

Norway

*Westronic AS
Bergen (Laksevåg)
Tel +47 55 34 90 70
Fax +47 55 34 90 71
mail@westronic.no
www.westronic.no

Norway

*O. Øverland AS
Molde
Tel +71 20 24 00
Fax +71 25 12 14
post@overland.no
www.overland.no

Panama

*Global Marine Electronic
Panama City
Tel +507 2328190
Fax +5072328169
service@globmarel.com
www.globmarel.com

Panama

*Hi Tek Marine, S.A.
Panama City
Tel +507 229 2488
Fax +507 261 5780
hitek@sinfo.net

Panama

Servitronic, S.A.
Panamá
Tel +507 261 9703
Fax +507 261 9800
aabreu@sinfo.net

Philippines

*Delnet International
Intramuros, Manila
Tel +63 2 522 3947
Fax +63 2 527 6019
delnet@pldtel.net

Poland

*PBP ENAMOR Sp. z o.o.
Gdynia
Tel +48 58 69 01 700
Fax +48 58 69 01 701
enamor@enamor.com.pl
www.enamor.com.pl

Poland

EPA Sp. z.o.o.
Gdynia
Tel +48 58 781 28 00
Fax +48 58 781 28 28
epa_gdynia@epa.com.pl
www.epa.com.pl

Poland

EPA Sp. z.o.o.
Szczecin
Tel +48 91 425 2900
Fax +48 91 425 2999
epa@epa.com.pl
www.epa.com.pl

Portugal

*Radio Holland Portugal S.A.
Lisboa
Tel +351 21 397 6087
Fax +351 21 390 3739
rhplis@radioholland.pt

Portugal

Radio Holland Portugal S.A.
Gafanha da Nazare
Tel +351 23 436 6945
Fax +351 23 436 6945
rhpave@radioholland.pt

Portugal

Radio Holland Portugal S.A.
Matosinhos
Tel +351 22 938 0033
Fax +351 22 938 0150
rhpmat@radioholland.pt

Reunion

*Unimar
Le Port
Tel +262 2 62 42 09 45
Fax +262 2 62 43 32 50
unimar.pelloux@wanadoo.fr

Romania

Bams Maritime S.R.L.
Constanta
Tel +40 41 601 822
Fax +40 41 613 517
SMTP.bams.maritime@seanet.ro

Russia

*Era-Service Co. Ltd.
Murmansk
Tel +7 8152 45 13 58
Fax +7 8152 28 66 33
post@eraserv.an.ru
www.eraservice.ru

Russia

*Norwegian Partners Marine A.S.
Vladivostok
Tel +4232 460506
Fax +4232 460506
npm@fastmail.vladivostok.ru

Russia

*Rosmar Ltd.
St.Petersburg
Tel +7812 9658559
Fax +7812 1459644
rosmar@spb.cityline.ru
www.rosmar.ru

Russia

Amur Shipping Company
Khabarovsk
Tel +7 4212 398 203
Fax +7 4212 398 632

Russia

Arctic Shipping
Tiksi
Tel +7 41167 52155
Fax +7 41167 52155
Telegraf@arsco.sakha.ru

Russia

BOF Co. Ltd.
Novorossiysk
Tel +7 8617 61 06 01
Fax +7 8617 61 06 01
bof@nvrsk.ru

Russia

Boscco
Vostochnyy
Tel +7 4266 60809
Fax +7 4266 60809
boscco@vrangel.ru

**Russia**

BRIZ - Marine Co. Ltd.
Murmansk
Tel +7 8152 451111
Fax +7 8152 451633
info@briz-marine.ru

Russia

Dalryba-PSRZ
Vladivostok
Tel +7 4232 272616
Fax +7 4232 277956
radpsrz@mail.ru

Russia

Eltrans Ltd.
Novorossiysk
Tel +7 8617 24 06 50
Fax +7 8617 24 06 50
eltrs@marsat-south.ru

Russia

Fesco Base Radiocommunication Dept.
Vladivostok
Tel +7 4232 496044
Fax +7 4232 496108

Russia

Gerkon Service
Nakhodka
Tel +7 4266 57576
Fax +7 266 29662
gerkon@online.nakhodka.ru

Russia

JSC "Naviteam"
Vyborg
Tel +7 81278 33116
Fax +7 81278 33116
naviteam@vyborg.ru

Russia

KB Vector
Taganrog
Tel +7 8634 44 48 08
Fax +7 8634 33 39 00

Russia

Marine Bridge & Navigation Systems
St.Petersburg
Tel +7 812 320 38 40
Fax +7 812 320 38 48
www.mns.spb.ru

Russia

Morsvyazservis
Khabarovsk
Tel +7 42137 20821
Fax +7 42137 22585

Russia

Norfes
Nakhodka
Tel +7 504 91 52125
Fax +7 266 44964
VTS.NHDK@nhk.infosys.ru

Russia

Norfes
Vladivostok
Tel +7 4232 521910
Fax +7 4232 521900
mic@norfes.ru

Russia

Northern River Shipping Lines
Arkhangelsk
Tel +7 8182 41 11 71
Fax +7 8182 41 11 06
nrrad@nrsl.ru

Russia

Novorossiysk Commercial Sea Port
Novorossiysk
Tel +7 8617 29 21 31
Fax +7 8617 61 18 30
mail@ncsp-net.com
www.ncsp.kuban.ru

Russia

Novoship Ship Service Centre
Novorossiysk
Tel +7 8617 60 12 02
Fax +7 8617 25 45 33
novsc@novoship.ru

Russia

Omega-5
Vrangel, Primorskiy
Tel +7 4266 60775
Fax +7 4266 60775
omega5@nhk.infosys.ru

Russia

Orient-Electric
Vladivostok
Tel +7 4232 436407
Fax +7 4232 436413
electric@fastmail.vladivostok.ru

Russia

Preobrazhensky Base of Trawl Fleet
Preobrazhenie
Tel +7 42377 94307
Fax +7 42377 91284

Russia

Primorsk Shipping Corporation
Nakhodka
Tel +7 4266 42504
Fax +7 4266 94552
klishin@prisco.ru

Russia

Sudoremkomplekt
Kamchatka
Tel +7 4266 42504
Fax +7 4266 94552
klishin@prisco.ru

Russia

The Astrakhan Centre of Comm.
Astrakhan
Tel +7 8512 26 20 50
Fax +7 8512 22 99 41
era@bignet.ru

Russia

Vedushiy Ltd
Rostov-On-Don
Tel +7 8632 442148
Fax +7 8632 442148
vedushiy@aanet.ru

Saudi Arabia

*Marine Equipment & Services Est.
Jeddah
Tel +966 2 6360112
Fax +966 2637 4128
baboudsaftmarine@awalnet.net.sa

Saudi Arabia

*Kanoo Marine Services Group
Dammam
Tel +966 3 847 3411
Fax +966 3 847 3423
msg@kanoosa.com

Singapore

*JOTRON Asia Pte. Ltd.
Singapore
Tel +65 65426350
Fax +65 65420879
sales@jotron-asia.com
www.jotron.com

Singapore

*Radio Holland Singapore Pte. Ltd.
Singapore
Tel +65 6862 2218
Fax +65 6862 2430
info@radioholland.com.sg
www.radiohollandsingapore.com

Singapore

*Jason Electronics (Pte) Ltd
Singapore
Tel +65 6872 0211
Fax +65 6872 1800
alantant@jason.com.sg
www.jason.com.sg

Singapore

*Reson-Telenav Electronics Pte. Ltd.
Singapore
Tel +65 6872 0863
Fax +65 6872 1334
sales@reson-sea.com.sg
www.reson-sea.com.sg

South Africa

*Radio Holland South Africa
Durban
Tel +27 31 2055309
Fax +27 31 2055541
service@rhdbn.co.za
www.radioholland.co.za

South Africa

Radio Holland South Africa
Cape Town
Tel +27 21511 0864
Fax +27 21511 7577
service@rhcpt.co.za
www.radioholland.co.za

Spain

*Aage Hempel Marine Electronics
Algeciras
Tel +34 956 573 276
Fax +34 956602088
service@aagehempel.com

Spain

*CRAME S.A.
Madrid
Tel +34 91 658 65 08
Fax +34 91 658 65 09
crame@crame.es
www.crame.es

Spain

CRAME, S.A.
Barcelona
Tel +34 93 319 20 02
Fax +34 93 268 46 10
barcelona@crame.es

Spain

CRAME, S.A.
Bilbao
Tel +34 94 438 8565
Fax +34 94 438 8702

Spain

CRAME, S.A.
Gijon
Tel +34 985 36 90 45
Fax +34 985 33 85 02
gijon@crame.es

**Spain**

CROME, S.A.
Santander
Tel +34 942 22 73 53
Fax +34 942 22 75 54
santander@crame.es

Spain

CROME, S.A.
Santa Eugenia de Ribeira
Tel +34 981 871429
Fax +34 981 875296
riveira@crame.es

St. Lucia

Regis Electronics (St Lucia) Ltd.
Castries
Tel +1758 4520205
Fax +1758 4520206
stlucia@regiselectronics.com

Sweden

*C A Clase AB
Göteborg
Tel +46 31 64 72 00
Fax +46 31 53 46 37
info@caclase.se
www.caclase.se

Sweden

Stockholms Fartygselektriska AB
Stockholm
Tel +46 8 54175557
Fax +46 8 54175557
stockholms.fartygsel@mailbox.s

Sweden

Storm & Co AB
Göteborg
Tel +46 31 513510
Fax +46 31 519378
stormco@swipnet.se

Sweden

Vingtor Marine AB
Askim
Tel +46 31 680450
Fax +46 31 683660

Sweden

Väst kustens Elmarin AB
Västra Frölunda
Tel +46 31 7697500
Fax +46 31 7697501
peraxel@vastelmarin.se

Syria

*Lesymar
Tartous
Tel +963 43 324616
Fax +963 43 323563
lesymar@scs-net.org

Taiwan

*Dragon & Elephant Enterprises Co
Kaohsiung
Tel +886 7 227 2887
Fax +886 7 227 2950
dragon43@ms8.hinet.net

Taiwan

*Reson Electronics Int'l Inc.
Kaohsiung
Tel +886 7 815 0036
Fax +886 7 815 1438
reson000@ms16.hinet.net

Thailand

*A. & Marine (THAI) Co., Ltd.
Bangkok
Tel +662 703 5544
Fax +662 703 5525
info@marinethai.net

Turkey

*Elektro-Deniz Co. Ltd.
Tuzla Istanbul
Tel +90 216 3927729
Edel +90 216 3927733
edel@elektrodeniz.com

Turkey

International Shipping Group&Trading
Uskudar Istanbul
Tel +90 216 428 55 21
Fax +90 216 428 55 23
intershipping@superonline.com

Ukraine

*ELCOM Ltd.
Mariupol
Tel +38 629 378 035
Fax +38 050 594 83 85
elcom@mariupol.net

Ukraine

*Transas Ukraine
Nikolaev
Tel +380 629 413635
Fax +380 629 413507
tru@transasua.com

United Arab Emirates

*Radio-Holland B.V. Middle East
Sharjah
Tel +971 6 574 4144
Fax +971 6 574 9998
info@rhme.ae
www.rhme.ae

United Arab Emirates

Saab Marine Middle-East
Sharjah
Tel +971 6 557 0740
Fax +971 6 557 0741
saabme@emirates.net.ae
www.saab.tankradar.com

United Kingdom

*Jotron (UK) Ltd.
Cramlington, Northumberland
Tel +44 1670 712000
Fax +44 1670 590265
sales@jotron.co.uk

United Kingdom

Alexian Electronics Marine Ltd.
Edinburgh
Tel +44 131 5542591
Fax +44 131 5550373

United Kingdom

AND Electronic Ltd.
Aberdeen
Tel +44 870 444 9682
Fax +44 870 444 9680
service@andmss.net
www.and-group.com

United Kingdom

AND Electronic Ltd.
Tilbury, Essex
Tel +44 870 444 9682
Fax +44 870 444 9680
service@andmss.net

United Kingdom

Bevan Limited
Isle of Man
Tel +44 1624 812583
Fax +44 1624 812491
bevan@mcb.net

United Kingdom

Broadgate Ltd
Almondsbury, Bristol
Tel +44 1454 618585
Fax +44 1454 617310

United Kingdom

Charity & Taylor Ltd
Lowestoft, Suffolk
Tel +44 1502 581529
Fax +44 1502 588463

United Kingdom

Joss Skelton Limited
Belfast, Northern Ireland
Tel +28 9074 0555
Fax +28 9074 0666
joss.skelton@virgin.net

United Kingdom

Marconi International Co Ltd
Aberdeen
Tel +44 1224 585334
Fax +44 1224 575975

United Kingdom

Marconi International Co Ltd
Falmouth, Cornwall
Tel +44 1326 312855
Fax +44 1326 211337

United Kingdom

Marconi International Co Ltd
Hull
Tel +44 1245 353221
Fax +44 1245 275689

United Kingdom

Marconi International Co Ltd
Birkenhead, Liverpool
Tel +44 151 647 6222
Fax +44 151 647 3374

United Kingdom

Marconi International Co Ltd
Newcastle upon Tyne
Tel +44 191 2327381
Fax +44 191 2331943

United Kingdom

Marconi International Co Ltd
Milford Haven, Pembrokeshire
Tel +44 1646 697954
Fax +44 1646 697954

United Kingdom

Marconi International Co Ltd
Silvertown, London
Tel +44 20 7 5114391
Fax +44 20 7 5114483

United Kingdom

Marconi International Co Ltd
Southampton, Hants
Tel +44 23 80 224767
Fax +44 23 80 333644

United Kingdom

Marconi International Co Ltd
Felixstowe, Suffolk
Tel +44 1394 613138
Fax +44 1394 675247

**United Kingdom**

Marine Electronic Systems
Southampton, Hants
Tel +44 2380 663316
Fax +44 2380 663241
sales@mesuk.com
www.mesuk.net

United Kingdom

Mark Electronics
Lymington, Hants
Tel +44 1590 671144
Fax +44 1590 679517

United Kingdom

Nationwide Marine Hire
Warrington, Cheshire
Tel +44 1925 245788
Fax +44 1925 245788
nationwide.liferaft@virgin.net

United Kingdom

Premier Liferaft Services
Burnham-on-Crouch, Essex
Tel +44 1621 784858
Fax +44 1621 785934

United Kingdom

Radio Electronic Service Ltd
St. Peters Port, Guernsey
Tel +44 1481 728837
Fax +44 1481 7143794

United Kingdom

Ships Electronic Services
Grangemouth, Stirlingshire
Tel +44 1324 666886
Fax +44 1324 666033

United Kingdom

Ships Electronic Services
Jarrow, Tyne & Wear
Tel +44 191 4832236
Fax +44 191 4832331
name?@ships-electronics.com

United Kingdom

Ships Electronic Services Ltd
Rochester, Kent
Tel +44 1634 295500
Fax +44 1634 295536

United Kingdom

SM Group (Europe) Ltd
Sutton Harbour, Plymouth
Tel +44 1752 66599
Fax +44 1752 222717

United Kingdom

TDC (Aberdeen) Limited
Aberdeem
Tel +44 1224 710077
Fax +44 1224 710077

United Kingdom

T.S.A Communications Limited
Birkenhead, Merseyside
Tel +44 151 6478100
Fax +44 151 6478120

United States

*JOTRON USA, Inc.
Houston, TX
Tel +1 713 268 1061
Fax +1 713 268 1062
contact.us@jotron-usa.com
www.jotron.com

United States

*High Seas Trading Co.
Miami, Florida
Tel +1 305 3587455
Fax +1 305 350 6887
info@highseasusa.com
www.highseasusa.com

United States

*Mackay Marine
Houston, Texas
Tel +1 713 644 9246
Fax +1 713 645 1174
houstont@mackaycomm.com
www.mackaycomm.com

United States

*Radio Holland USA Inc.
Houston, Texas
Tel +1 713 378 2100
Fax +1 713 378 2101
rhhoustonsales@radiohollandusa.com
www.radiohollandusa.com

United States

Mackay Marine
Edison, NJ
Tel +1 732 225 4089
Fax +1 732 225 4959
edison@mackaymarine.com
www.radiohollandusa.com

United States

Mackay Marine
Harahan, LA
Tel +1 504 733 5824
Fax +1 504 734 8535
nola@mackaymarine.com
www.radiohollandusa.com

United States

Mackay Marine
Miami, FL
Tel +1 305 591 3399
Fax +1 305 591 1879
miami@mackaycomm.com
www.radiohollandusa.com

United States

Mackay Marine
Richmond, CA
Tel +1 510 669 9560
Fax +1 510 669 9562
sf@mackaymarine.com
www.radiohollandusa.com

United States

Mackay Marine
Tacomma, WA
Tel +1 253 922 6260
Fax +1 253 922 6619
seattle@mackaymarine.com
www.mackaycomm.com

United States

Mackay Marine
Tampa, FL
Tel +1 813 229 0080
Fax +1 813 223 3416
tampa@mackaymarine.com
www.mackaycomm.com

United States

Mackay Marine
Thunderbolt, GA
Tel +1 912-354-4542
Fax +1 912-356-1249
savannah@mackaymarine.com
www.mackaycomm.com

United States

Mackay Marine
Vancouver, NW
Tel +1 360 573 7991
Fax +1 360 573 5074
portland@mackaymarine.com
www.mackaycomm.com

United States

Radio Holland USA Inc.
Corpus Christi, TX
Tel +1 361 883 5283
Fax +1 361 883 5285
rhcorpuschristi@radiohollandusa.com
www.mackaycomm.com

United States

Radio Holland USA Inc.
Hollywood, FL
Tel +1 954 920 8400
Fax +1 954 920 8455
rhmiami@radiohollandusa.com
www.mackaycomm.com

United States

Radio Holland USA Inc.
Kenilworth, NJ
Tel +1 908 298 9100
Fax +1 908 298 9118
rhnewyork@radiohollandusa.com
www.mackaycomm.com

United States

Radio Holland USA Inc.
Long Beach, CA
Tel +1 562 535 0039
Fax +1 562 988 0236
rhlombeach@radiohollandusa.com
www.mackaycomm.com

United States

Radio Holland USA Inc.
Harahan, LA
Tel +1 504 7334024
Fax +1 504 7334027
rhneworleans@radiohollandusa.com
www.radiohollandusa.com

United States

Radio Holland USA Inc.
Seattle, WA
Tel +1 206 768 1601
Fax +1 206 768 1603
rhseattle@radiohollandusa.com
www.radiohollandusa.com

United States

Radio Holland USA Inc.
Chesapeake, VA
Tel +1 757 436 2360
Fax +1 757 436 4809
rhnorfolk@radiohollandusa.com

United States

Radio Holland USA, Inc.
Mobile, AL
Tel +1 334 432 3109
Fax +1 334 433 8223
rhmobile@radiohollandusa.com

Uruguay

*Electromaritima Uruguayua Ltda
Montevideo
Tel +598 2 924 7789
Fax +598 2 924 7138
electrom@internet.com.uy

Venezuela

*Radio Marina de Venezuela S.A.
Maracaibo
Tel +58 261 7987811
Fax +58 261 7982596
rhvmbob@telcel.net.ve



JOTRON Electronics a.s

P.O.Box 54, NO-3280 Tjodalyng, Norway
Tel: +47 33 13 97 00, Fax: +47 33 12 67 80
www.jotron.com