

SPECIFICATION MODEL CX-800M

IMPEDANCE/50 Ohms.

VOLTAGE

ACTUATION DATA :

VOLTAGE :

Pull in 10Vdc - 14Vdc (12Vdc Nominal)

Drop out 3.0Vdc Min.

Current 226mA 12Vdc @20°C

Coil resistance ... 53 Ohms 10% @ 20°C

SWITCHING TIME

SWITCHING TIME :

Pull in 20ms max.

Drop out 15ms max.

LIFE EXPECTANCY ... 1,000,000. Operation min.

MECHANICAL

MECAHANICAL :

Contact arrangement DPDT

Operational temperature -25°C to + 50°C (Max Temperature Rise20c)

Weight Approx 365gs.

Mounting..... 2 MTG holes

Cable connections 6 M(UHF) Type female connectors.

ELECTRICAL CHARACTERISTICS

ELECTRICAL CHARACTERISTICS :

Frequency MHz	VSWR Max	Isolation -dB(min)	Ins.Loss -dB(max)	INPUT
				RF Power KW
50	1.1	50	0.15	1.0
150	1.15	48	0.15	1.0
500	1.15	37	0.2	0.8

COIL CHARACTERISTICS

COIL CHARACTERISTICS :

Nominal Voltage.

12Vdc

Voltage Range

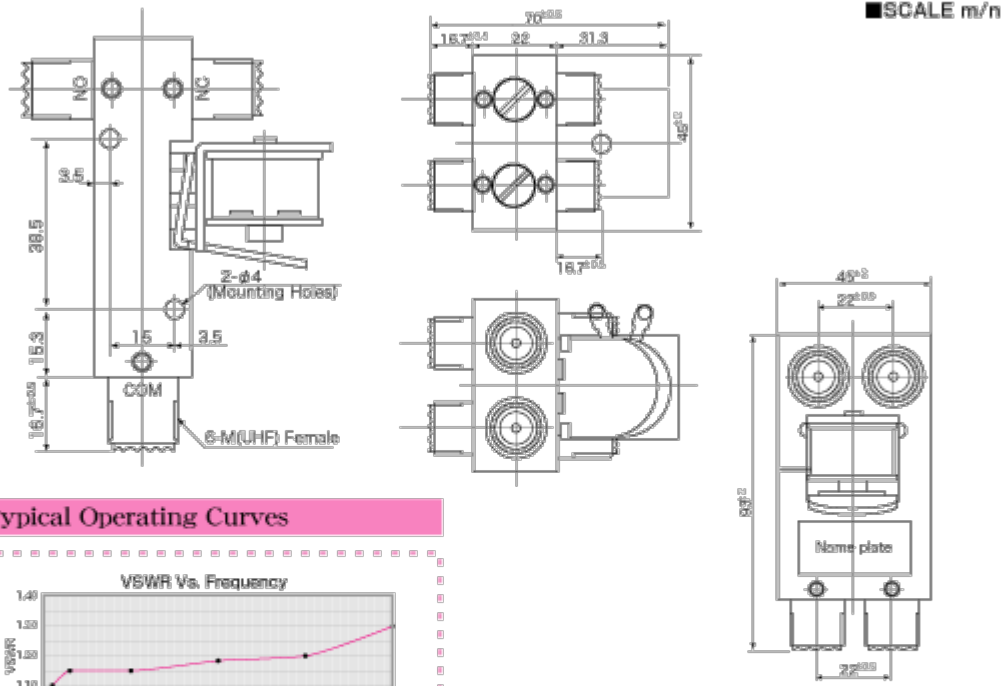
10Vdc - 14Vdc

Coil Resistance Ohms

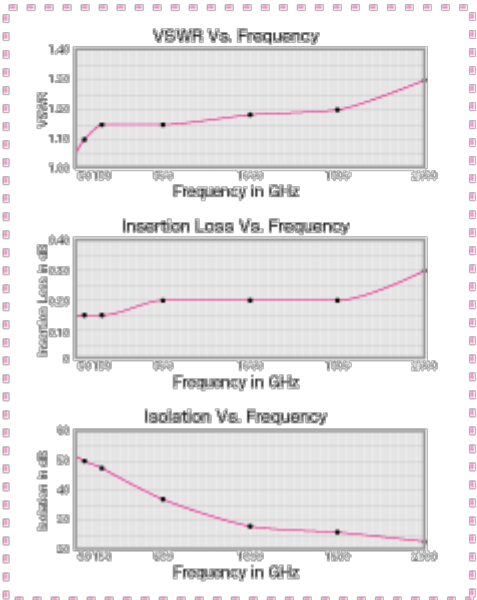
53 ±10% 20°C

Note : Other voltages are also available at option.

DIMENSIONS



Typical Operating Curves



Schematic

