

PRESIDENT

Mc KINLEY US
12/24

SERVICE MANUAL

-TECNNICAL CHARACTERITICS

Mc Kinley US 12/24

1-GENERAL:

-40 channels

(from 26,965Mhz to 27,405Mhz)

-7 Weather channels

CH1 162,550Mhz/CH2 162,400Mhz/CH3 162,475Mhz/CH4 162,425Mhz

CH5 162,450Mhz/CH6 162,500Mhz/CH7 162,525Mhz

-Channel step

-10Khz

-Class of emission

-AM(A3E)/USB LSB(J3E)

-Power supply

-13,8V/27,6V/ From10,8V to 31,2V

-Antenna impedance

-50Ω

-Dimensions (in mm)

-172(W) x 150(D) x 52(H)

-Weight

-1Kg

2-TRANSMISSION:

-Frequency allowance

-±200Hz

-Carrier Power

-4W RMS AM / 12W PEP SSB

-Modulation

± 90%

-Transmission interference

-Inferior to -60dBc

-Audio frequency response

-From 300Hz to 3Khz

-Emitted power in the adjacent channel

-Inferior to 20μW

-Microphone sensitivity

-Inferior to 3mV

-Current drain

-2,2A (in transmission mode with modulation)

-Modulated signal distortion

-Inferior to 2%

3-RECEPTION:

-Maximum sensitivity at 20dB sinad

-0,7 μ V(-110dBm) AM / 0,28 μ V(-118dBm)USB LSB

-Audio frequency response

-From 300Hz to 3Khz

-Adjacent channel selectivity

-Superior to 60dB

-Frequency image rejection

-Superior to 60dB

-Intermodulation response

-Superior to 54dB

-Maximum audio power

-3W

-Squelch sensitivity

-Threshold 0,2 μ V(-120dBm) / Tight 1mV(-47dBm)

-Current drain

-300mA nominal / 1000mA maximum

ALIGNMENT PROCEDURE

(Mc KINLEY US 12/24)

* VCO/PLL PORTION

- Alignment procedure
 - Test points
 - Frequencies chart

* TRANSMITTER

- Alignment procedure
 - Test points

* RECEIVER

- Alignment procedure
 - Test points

Test equipment required

Frequency counter 200 Mhz	HF Generator
DC Voltmeter	BF Voltmeter
Distortiometer	HF Voltmeter
Wattmeter - Dummy load	Osilloscope
FM linear detector	Load 8 Ω
AF generator	Sinad meter

Conditions of Measurements on HF Generator

Reception

AM mode: Level - 107 dBm Frequency 1 Khz with 60% of modulation.

USB/LSB mode: Level - 107 dBm

FM mode: Level - 107 dBm Frequency 1 Khz with 3Khz of deviation.

Transmission

Frequency 1 Khz 30mV.

ALIGNMENT VCO/PLL

- Alignment procedure (13,8V/27,6V)

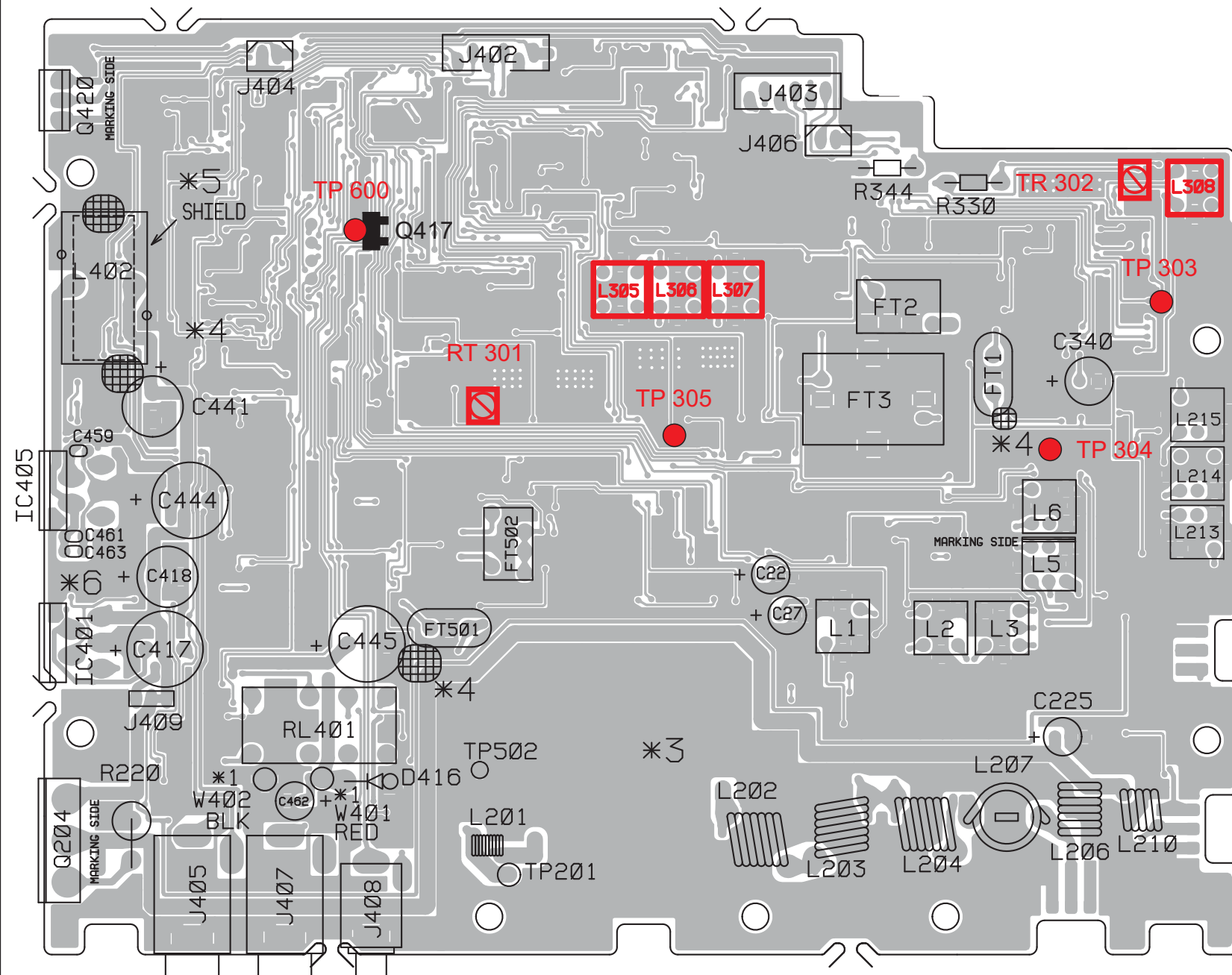
STEP	CONDITION	ADJUSTMENT	REMARKS OF ADJUSTMENT
1	AM RX mode Channel 20	L308	Fine + coarse center position Connect a frequency counter to TP304, adjust L308 to reach $37,900\text{MHz} \pm 20\text{Hz}$
2	USB RX mode Channel 20		Fine + coarse center position Connect a frequency counter to TP304, And check $37,9025\text{MHz} \pm 20\text{Hz}$
3	LSB RX mode Channel 20		Fine + coarse center position Connect a frequency counter to TP304, And check $37,8975\text{MHz} \pm 20\text{Hz}$
4	USB TX mode Channel 20	RT302	Fine + coarse center position Connect a frequency counter to TP304, adjust RT302 to reach $37,9025\text{MHz} \pm 20\text{Hz}$
5	AM RX mode Channel 40		Fine + coarse center position Connect a voltmeter to TP 303, and check $2,8\text{V} \pm 0,2\text{V}$.
6	AM RX mode Channel 1		Fine + coarse center position Connect a voltmeter to TP 303, and check $2,6\text{V} \pm 0,2\text{V}$.
7	USB RX mode Channel 20	L307	Fine + coarse center position Connect a frequency counter to TP305, adjust L307 to reach $10,6975\text{MHz} \pm 20\text{Hz}$

8	LSB RX mode Channel 20	L305	Fine + coarse center position Connect a frequency counter to TP305, adjust L305 to reach 10,6925MHz \pm 20Hz
9	AM TX mode Channel 20	L306	Fine + coarse center position Connect a frequency counter to TP305, adjust L306 to reach 10,695MHz \pm 20Hz
10	AM RX mode Channel 20	RT301	Fine + coarse center position Connect a frequency counter to TP600, adjust RT301 to reach 10,100MHz \pm 20Hz

- FREQUENCY LIST

CH	Channels Freq (MHz)	VCO(TP304) AM Freq (MHz)
1	26,965	37,660
2	26,975	37,670
3	26,985	37,680
4	27,005	37,700
5	27,015	37,710
6	27,025	37,720
7	27,035	37,730
8	27,055	37,750
9	27,065	37,760
10	27,075	37,770
11	27,085	37,780
12	27,105	37,800
13	27,115	37,810
14	27,125	37,820
15	27,135	37,830
16	27,155	37,850
17	27,165	37,860
18	27,175	37,870
19	27,185	37,880
20	27,205	37,900
21	27,215	37,910
22	27,225	37,930
23	27,255	37,950
24	27,235	37,930
25	27,245	37,940
26	27,265	37,960
27	27,275	37,970
28	27,285	37,980
29	27,295	37,990
30	27,305	38,000
31	27,315	38,010
32	27,325	38,020
33	27,335	38,030
34	27,345	38,040
35	27,355	38,050
36	27,365	38,060
37	27,375	38,070
38	27,385	38,080
39	27,395	38,090
40	27,405	38,100

ALIGNMENT VCO/PLL



ALIGNMENT TRANSMITTER

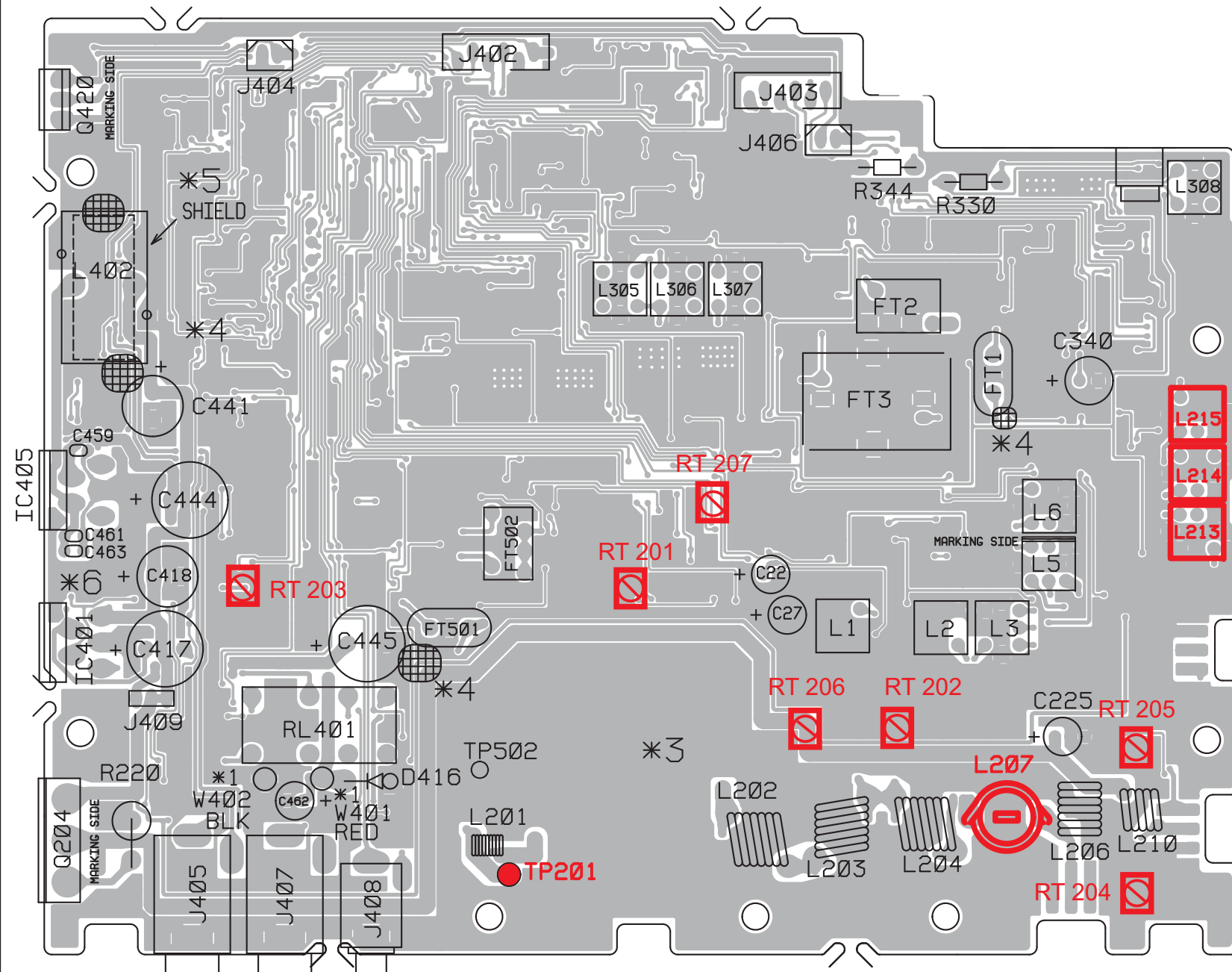
- Alignment procedure (13,8V/27,6V)

-Connect a DC amperemeter between the power supply and the transceiver.

STEP	CONDITION	ADJUSTMENT	REMARKS OF ADJUSTMENT
1	USB Channel 20 TX mode without modulation	RT204 CCW RT205 CCW	Check 0,65A±10mA on the amperemeter
2	USB Channel 20 TX mode without modulation	RT205	Adjust RT205 to add 0,1A±10mA=0,75A±10mA
3	USB Channel 20 TX mode without modulation	RT204	Adjust RT204 to add 0,1A±10mA=0,85A±10mA
4	USB Channel 20 TX mode with modulation 0,4KHz&2,5KHz (adjust audio frequency level to become 0,5WPEP)	L213 L214 L215	Adjust L213, L214, L215 to reach the maximum power on the RF power meter.
5	AM Channel 20 TX mode without modulation	L207 RT202	1-Set RT 202 to center position 2-Adjust L207 to maximum reading on the RF power meter

6	USB Channel 20 TX mode with modulation 0,4KHz&2,5KHz (30mV RMS)	RT202	Adjust RT202 to reach 11W _{pep} ± 0,5W on the RF power meter.
7	USB Channel 20 TX mode without modulation	RT207	Connect RF probe to TP 201. Adjust RT 207 to minimum reading on oscilloscope.
8	AM Channel 20 TX mode without modulation	RT203	Adjust RT203 to reach 3,8W ± 0,1W on the RF power meter.
9	AM Channel 20 TX mode 1,25Khz 30mV	RT206	Adjust RT206 to 90% ± 3% modulation
10	AM Channel 20 TX mode without modulation	RT201	Adjust RT201 to reach SRF 9 displayed on the SRF meter.

ALIGNMENT TRANSMITTER



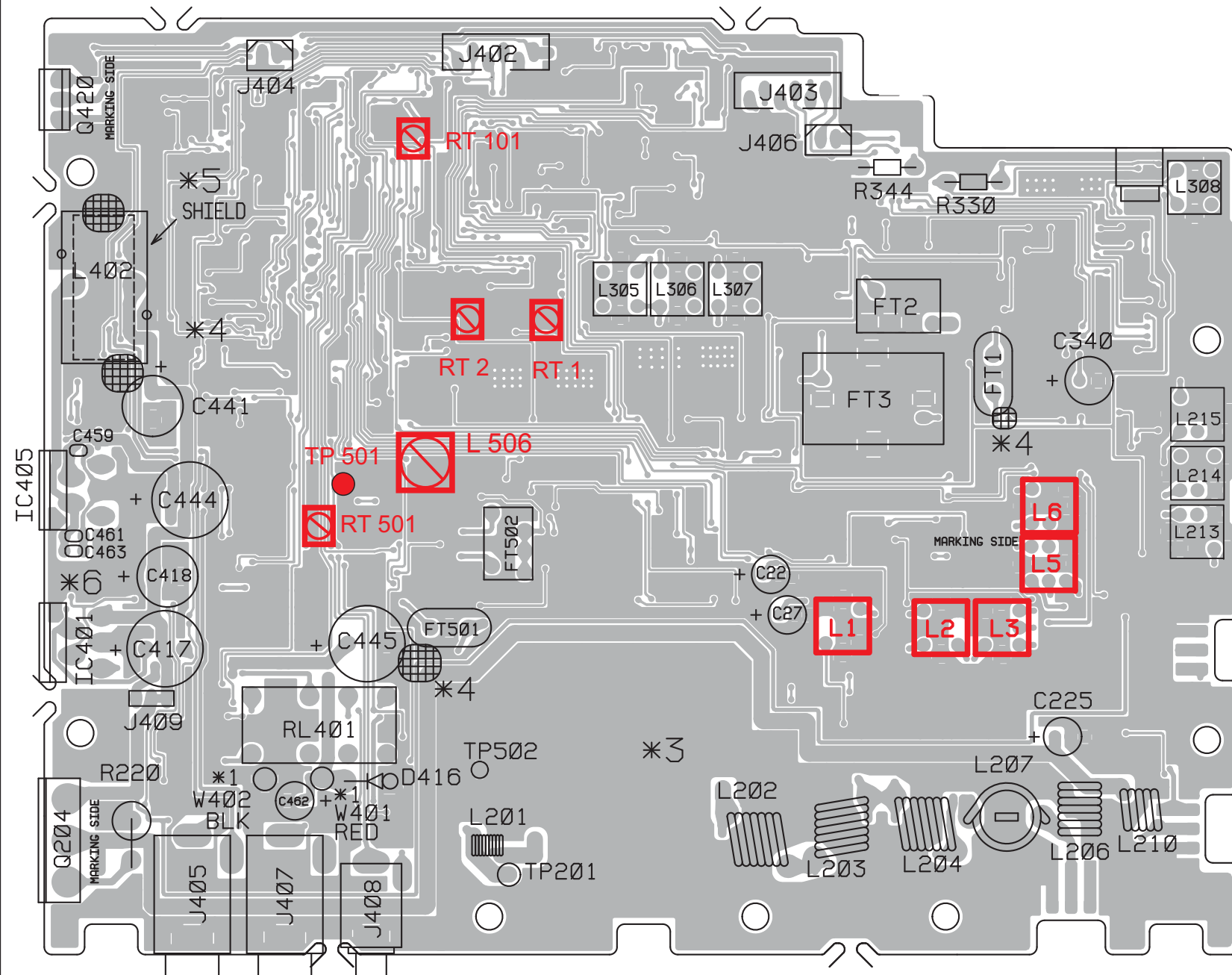
ALIGNMENT RECEIVER

- Alignment procedure (13,8V/27,6V)

STEP	CONDITION	ADJUSTMENT	REMARKS OF ADJUSTMENT
1	<p style="text-align: center;">AM Channel 20 Middle volume level. No squelch active RF gain: MAX Fine Coarse: Center NB/ANL/HiCut: OFF</p>	L1-L2-L3-L5-L6	Connect HF generator (27,205Mhz) to jack antenna adjusted at (-112dBm 1Khz mod 60%), connect sinad meter to jack EXT speaker and adjust coils (L1-L2-L3-L5-L6) for maximum sensitivity ≥ 20 dB sinad.
2	<p style="text-align: center;">AM Channel 20 Middle volume level. Squelch: MAX(CW) RF gain: MAX Fine Coarse: Center NB/ANL/HiCut: OFF</p>	RT2	Connect HF generator (27,205Mhz) to jack antenna adjusted at (-47dBm 1KHz mod 60%) and adjust RT2 so that the signal is audible .
3	<p style="text-align: center;">USB Channel 20 Middle volume level. Squelch: MAX(CW) RF gain: MAX Fine Coarse: Center NB/ANL/HiCut: OFF</p>	RT1	Connect HF generator (27,206Mhz) to jack antenna adjusted at (-47dBm no modulation) and adjust RT1 so that the signal is audible.
4	<p style="text-align: center;">AM Channel 20 Middle volume level. Squelch: CCW ASC: ON RF gain: MAX Fine Coarse: Center NB/ANL/HiCut: OFF</p>	RT101	Connect HF generator (27,205Mhz) to jack antenna adjusted at (-113dBm 1KHz mod 60%) and adjust RT101 so that the signal is audible .

5	AM Channel 20 Middle volume level. No squelch active RF gain: MAX Fine Coarse: Center NB/ANL/HiCut: OFF		Connect HF generator (27,205Mhz) to jack antenna adjusted at (-67dBm \pm 4dBm no modulation) and check S9 on the SRF meter.
6	Weather channel 6 162,500Mhz Middle volume level	L506	Connect HF generator to jack antenna adjusted at (-47dBm 1Khz mod 3Khz deviation), connect a voltmeter to TP501 and adjust L506 to reach 4V \pm 0,1V.
6	Weather channel 6 162,500Mhz Middle volume level		Connect HF generator to jack antenna adjusted at (-117dBm 1Khz mod 3Khz deviation), connect sinad meter to jack EXT speaker and check that the sensitivity is \geq 20dB \pm 2dB.
7	Weather channel 6 162,500Mhz Middle volume level	RT 501	Connect HF generator to jack antenna adjusted at (-120dBm 1Khz mod 3Khz deviation), and adjust RT501 so that the signal is audible.

ALIGNMENT RECEIVER



Mc KINLEY US

12/24

BLOC DIAGRAM

Mc KINLEY US

12/24

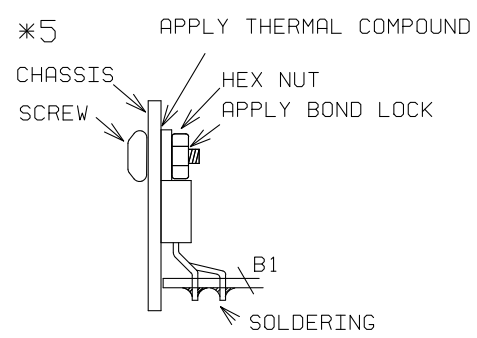
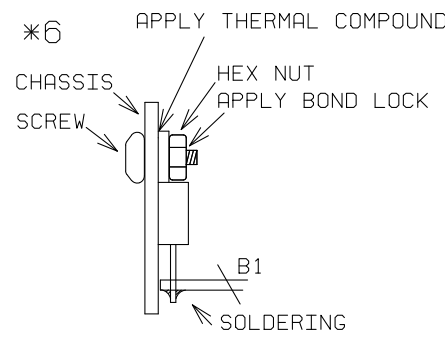
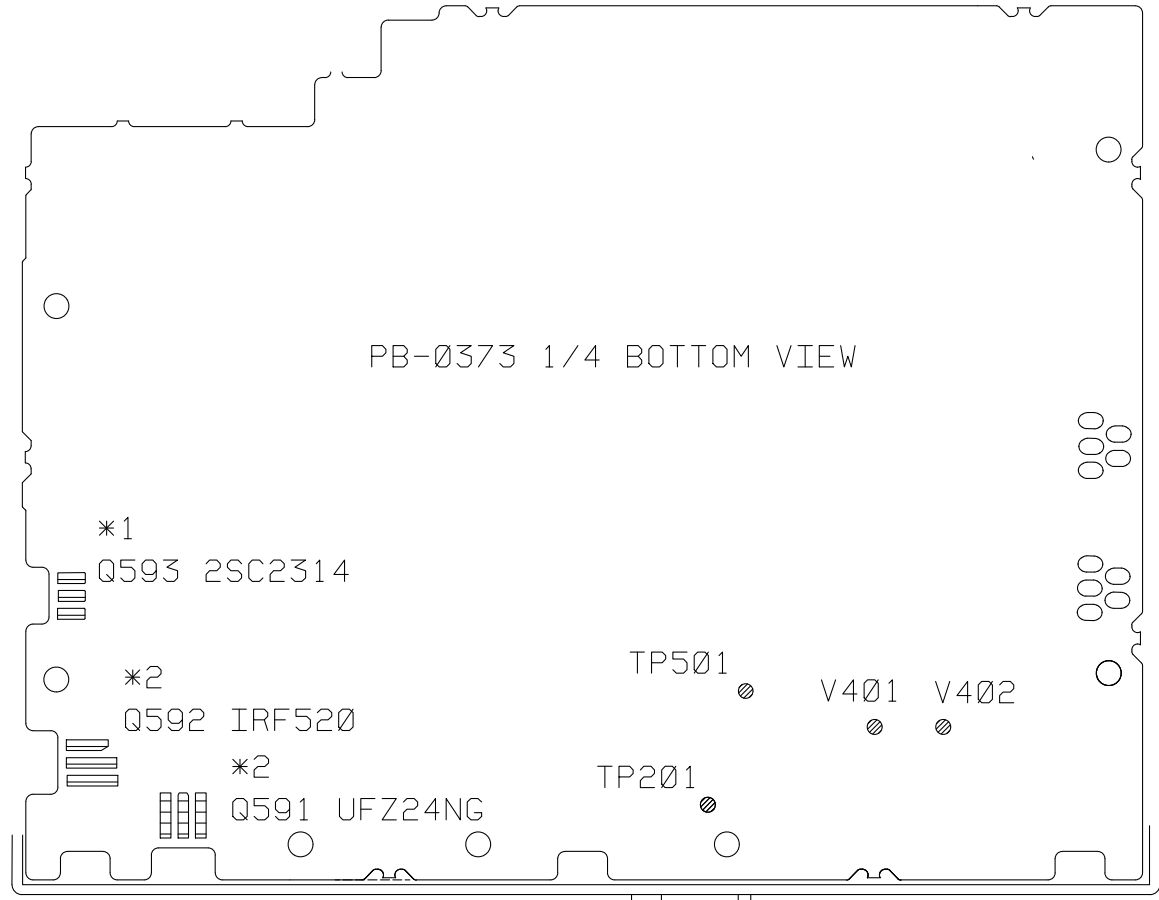
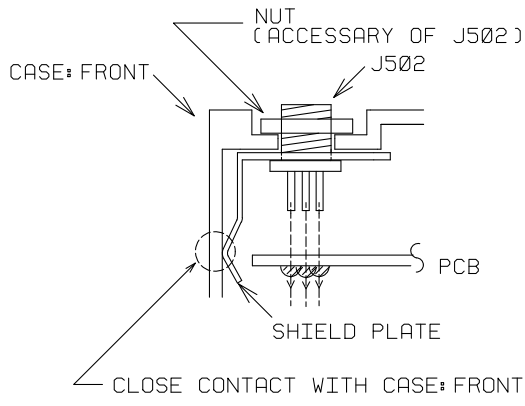
SCHEMATIC DIAGRAM

USE Pb FREE SOLDER

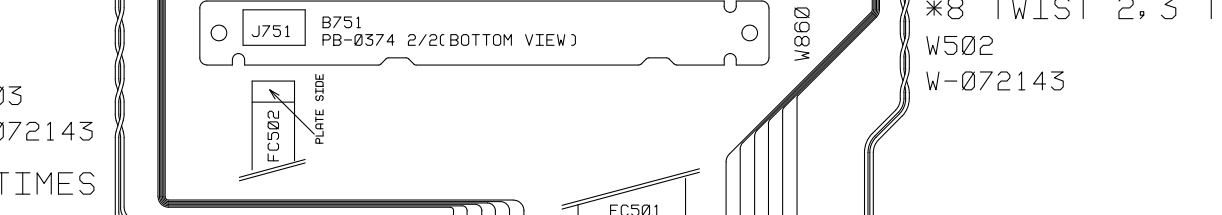
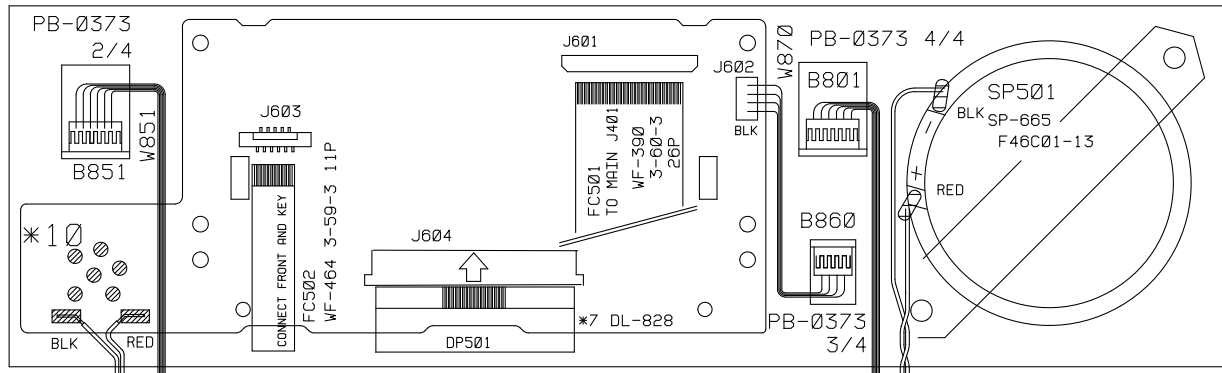
ALL DEVICES ARE ALSO USED THERMAL COMPOUND IS IN CONTACT WITH CHASSIS IN THE WHOLE

● = SOLDERING

*10 SOLDERING J502 AFTER FIXING PCB WITH SCREWS AND NUT



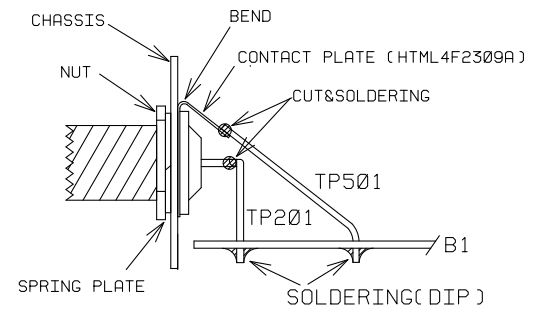
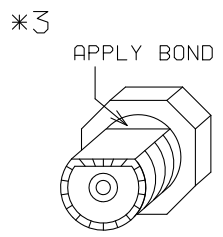
B601
PB-0374 1/2 (BOTTOM VIEW)



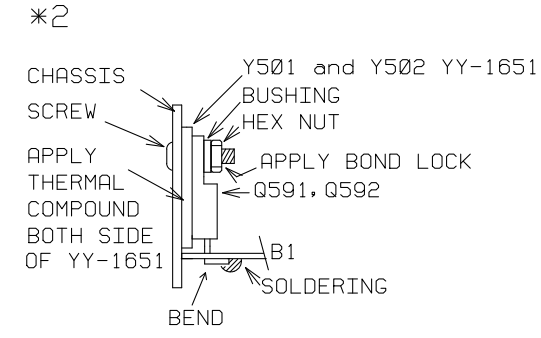
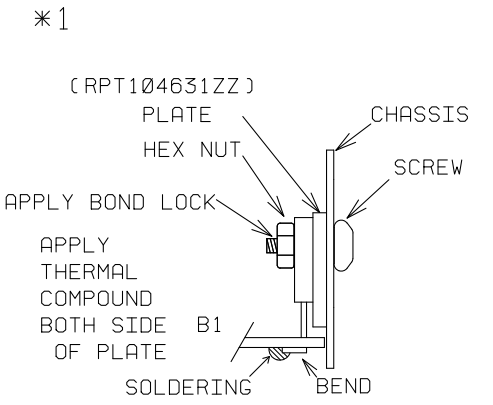
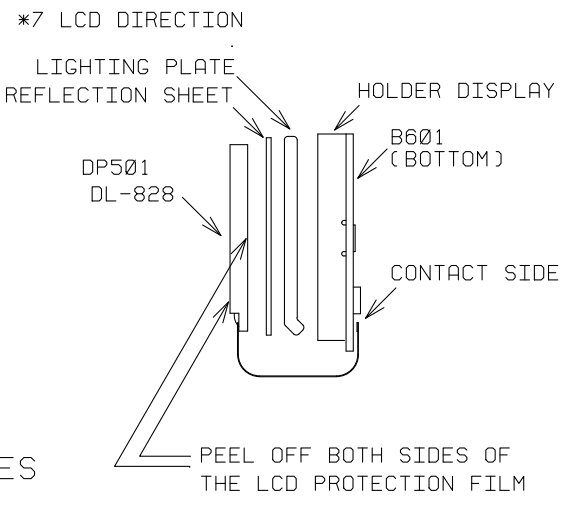
Solder TH1 (BDFG0147001) in parallel with R98

Solder D203-K and D418-K, R143 and D418-A (D418:BDAG1412001)

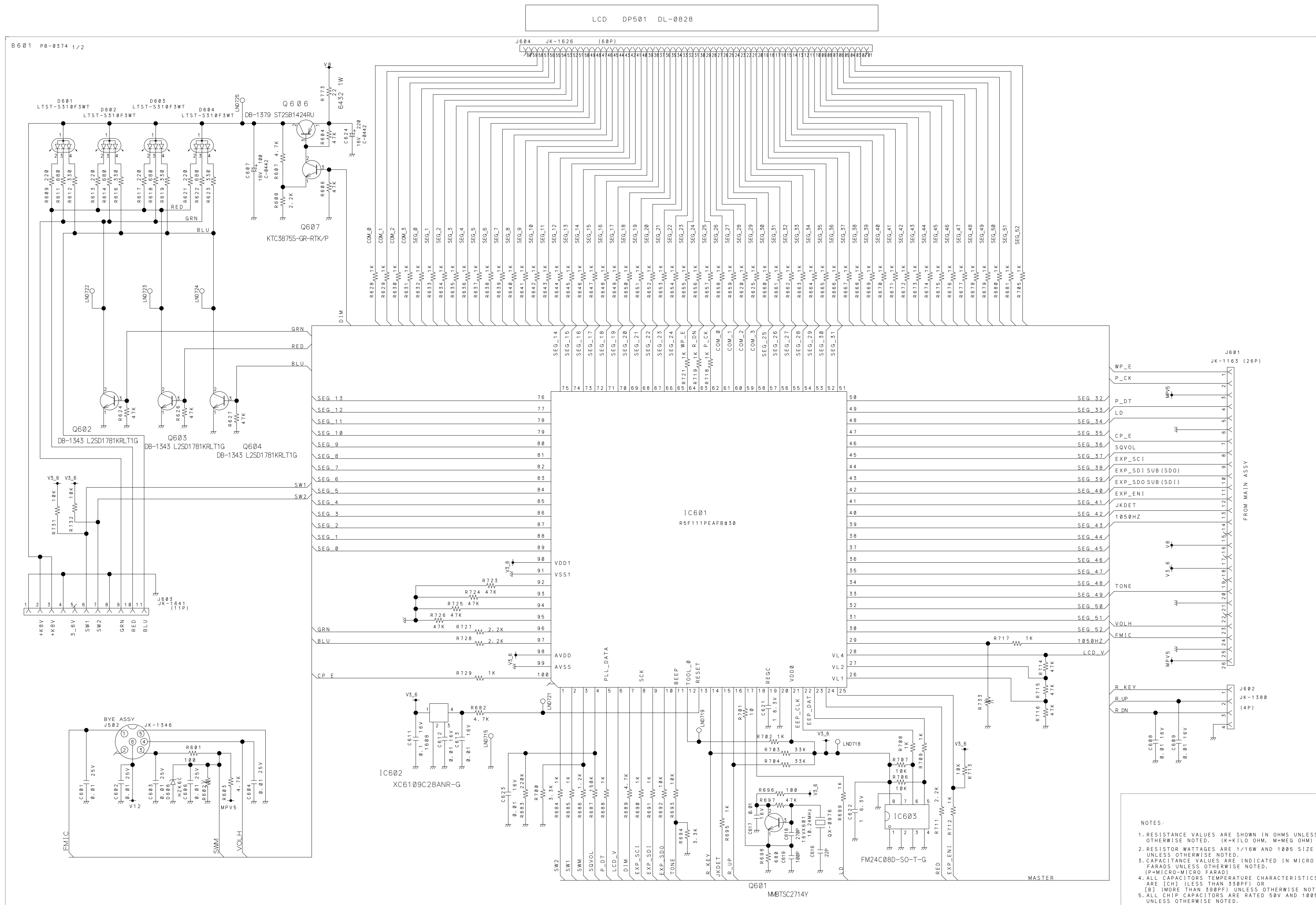
*4 J503
JK-052



FRONT ASSY



DESIGN. BY KAMATA	DRAWN. BY KAMATA	MODEL NO. UT566ZV
2016/07/27	2016/07/27	TITLE WIRING DIAGRAM
CHECK. BY KUNIMITSU	APPRO. BY KUNIMITSU	DRAWING NO. E33-6066
2016/11/4	2016/11/4	REV. NO. PRESIDENT



B 601 PB-0374 1/2

LCD DP501 DL-0828

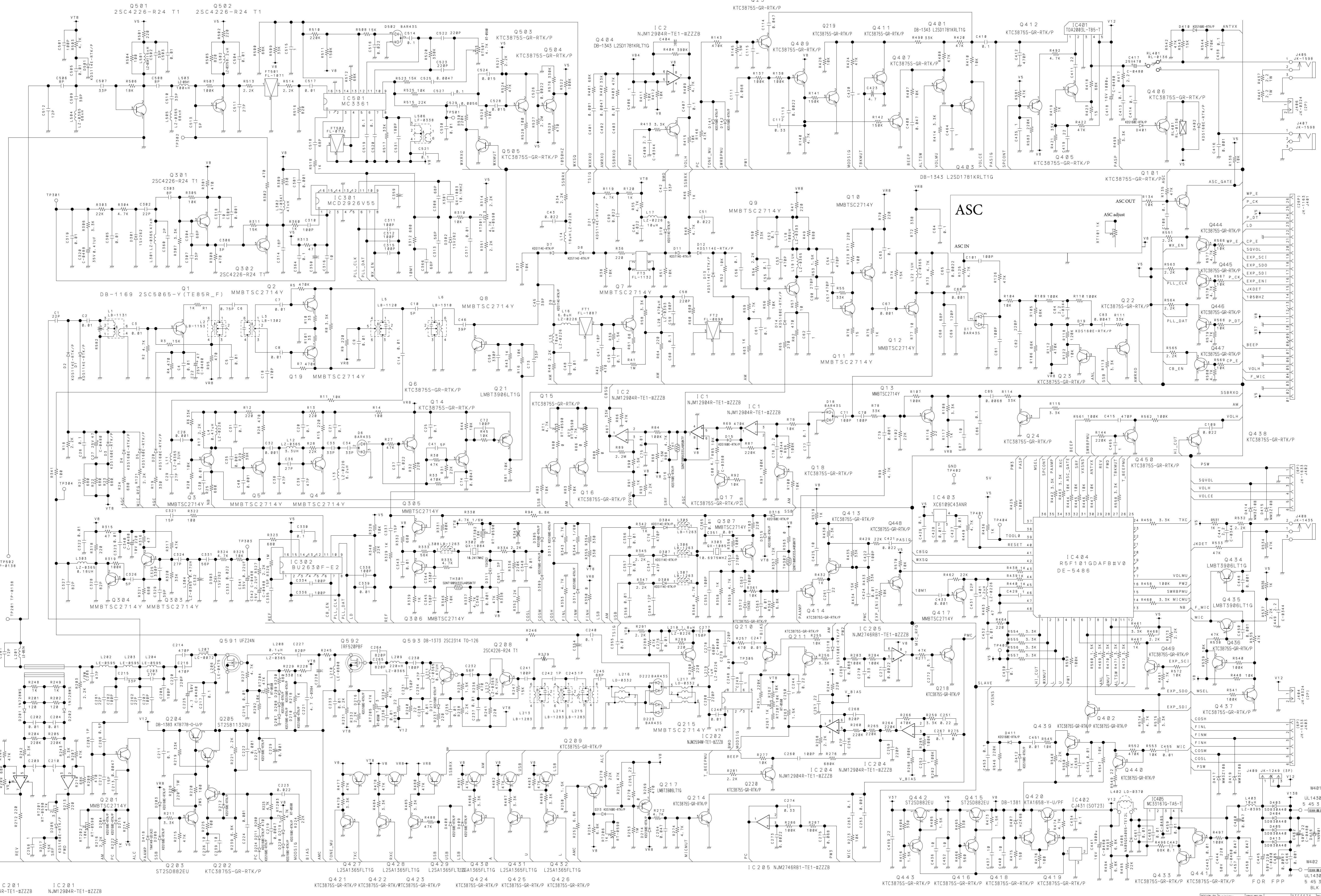
J604 JK-1626 (60P)

J601 JK-1163 (26P)

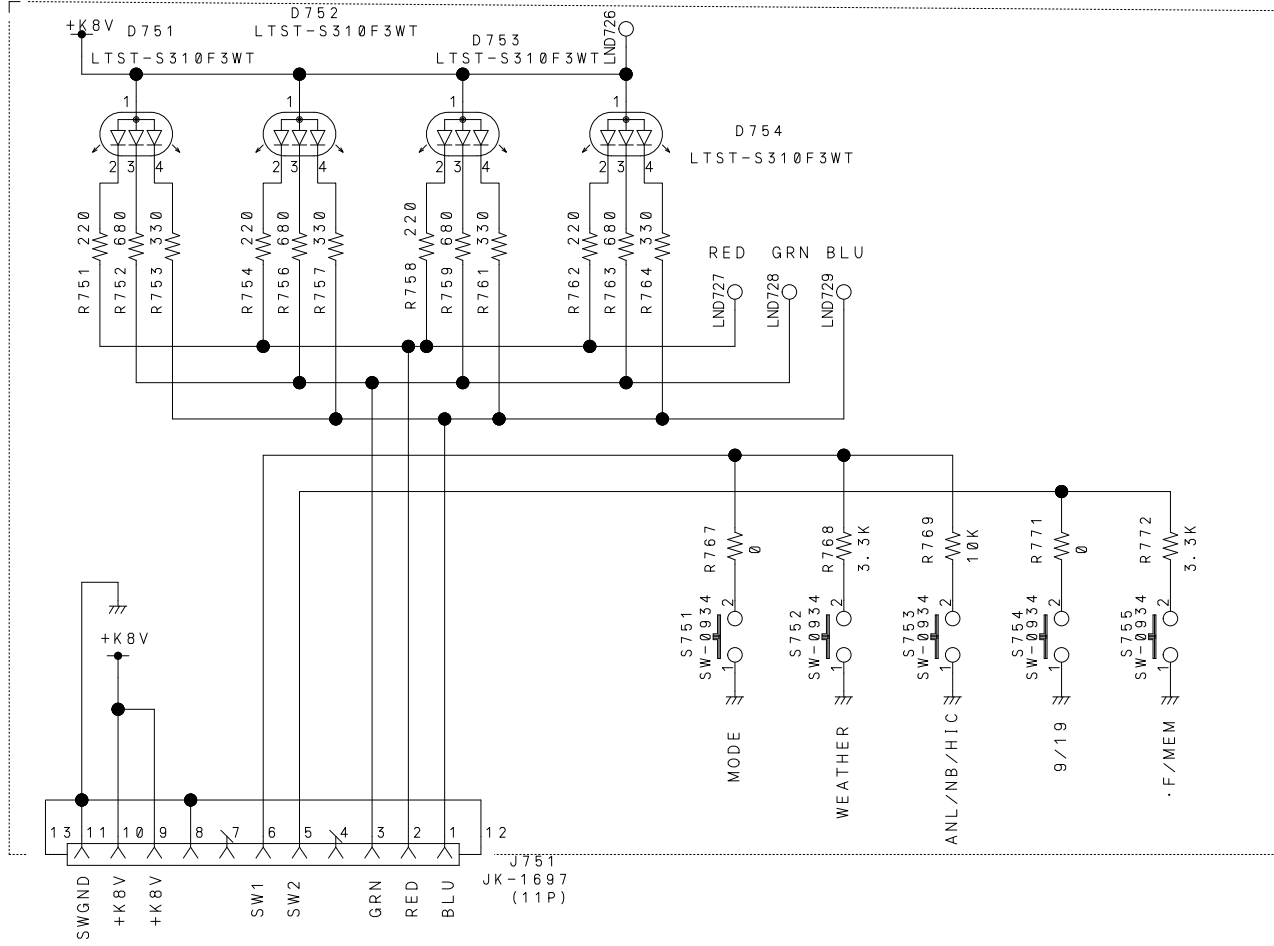
J602 JK-1380 (4P)

- NOTES:
1. RESISTANCE VALUES ARE SHOWN IN OHMS UNLESS OTHERWISE NOTED. (K=KILO OHM, M=MEG OHM)
 2. RESISTOR WATTAGES ARE 1/16W AND 1005 SIZE UNLESS OTHERWISE NOTED.
 3. CAPACITANCE VALUES ARE INDICATED IN MICRO FARADS UNLESS OTHERWISE NOTED. (P=MICRO-MICRO FARAD)
 4. ALL CAPACITORS TEMPERATURE CHARACTERISTICS ARE [CH] (LESS THAN 50PF) OR [B] (MORE THAN 50PF) UNLESS OTHERWISE NOTED.
 5. ALL CHIP CAPACITORS ARE RATED 50V AND 1005 SIZE UNLESS OTHERWISE NOTED.

DESIGN BY	Kamata	2016/2/2	ITER 6.0	REVISION NO
CHECK BY	Kamata	2016/2/12	WADAI-WA	REVISION NO
CHECK BY				FRONT ASSY
APPROVE BY	Kunimitsu	2016/2/12		SCHEMATIC DIAGRAM
PRESIDENT		DRAWING NO		E13-10561



B 751 PB-0374 2/2



FC502
TO FRONT ASSY J603

NOTES:

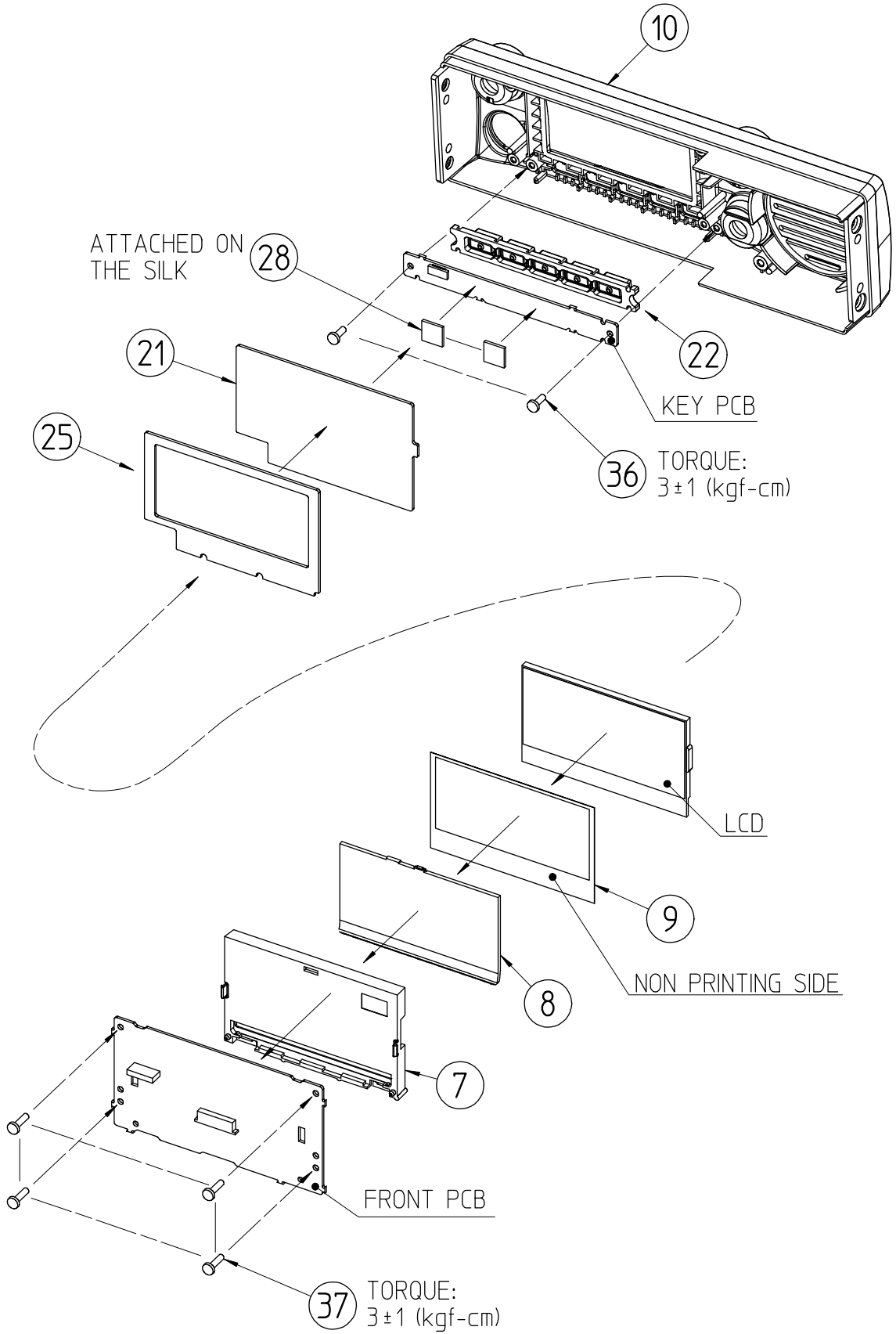
1. RESISTANCE VALUES ARE SHOWN IN OHMS UNLESS OTHERWISE NOTED. (K=KILO OHM, M=MEG OHM)
2. RESISTOR WATTAGES ARE [1/16W] UNLESS OTHERWISE NOTED.

DESIGN BY	Kamata	2016/7/2	MODEL-NO	UT5667V	REVISION NO
CHECK1 BY	Kamata	2016/9/12	MANUFACTURER	MCKINLEY USA	
CHECK2 BY			TITLE	SWITCH ASSY	
APPROVE BY	Kunimitsu	2016/9/12	DRAWING NO	E14-10562	
	PRESIDENT				

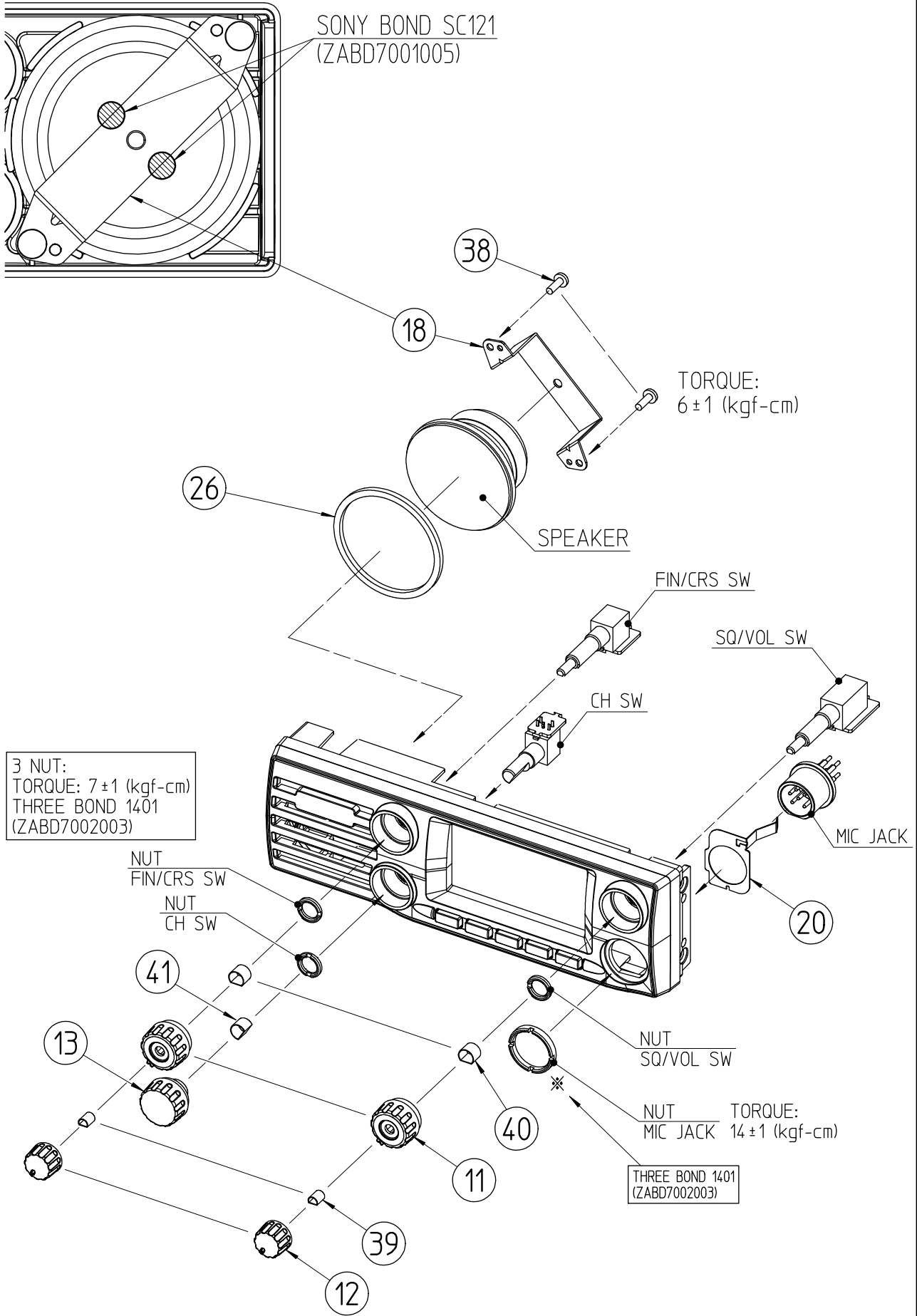
Mc KINLEY US

12/24

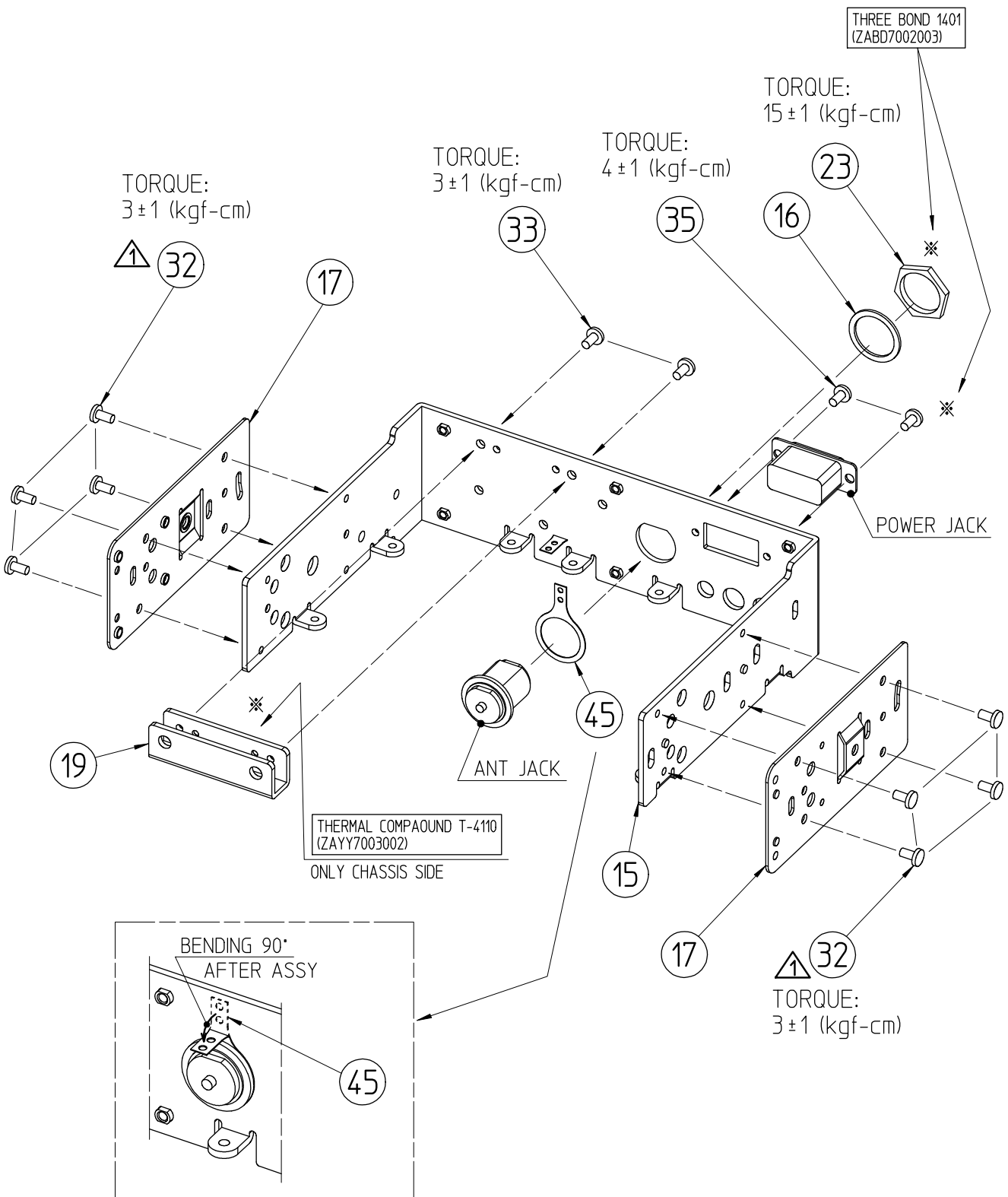
EXPLODED VIEW



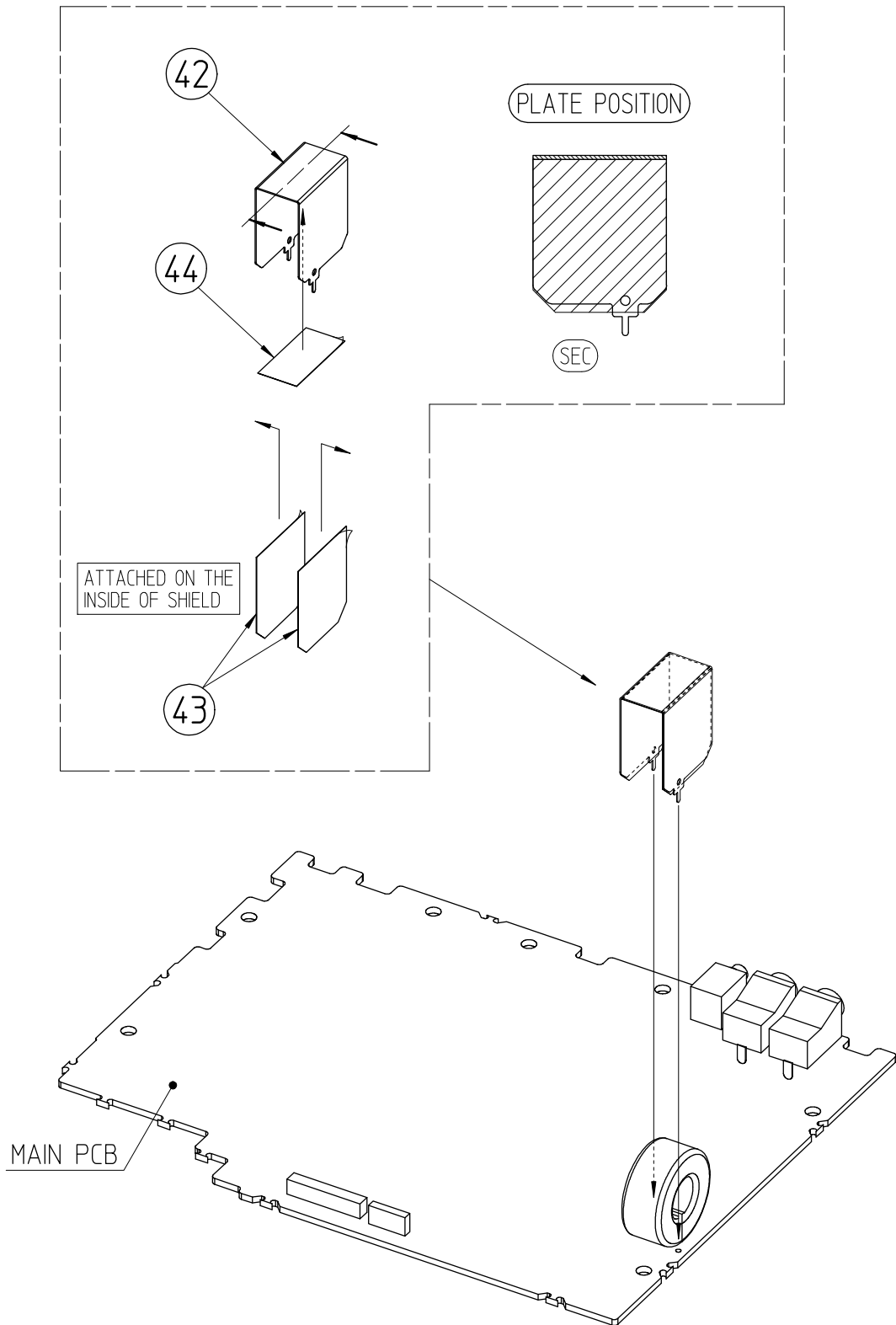
PRESIDENT	BUYER NAME McKinley USA	MODEL UT566ZV	FRONT ASSY
-----------	----------------------------	------------------	------------



PRESIDENT	BUYER NAME McKinley USA	MODEL UT566ZV	FRONT ASSY
-----------	----------------------------	------------------	------------



PRESIDENT	BUYER NAME McKinley USA	MODEL UT566ZV	CHASSIS ASSY
-----------	----------------------------	------------------	--------------

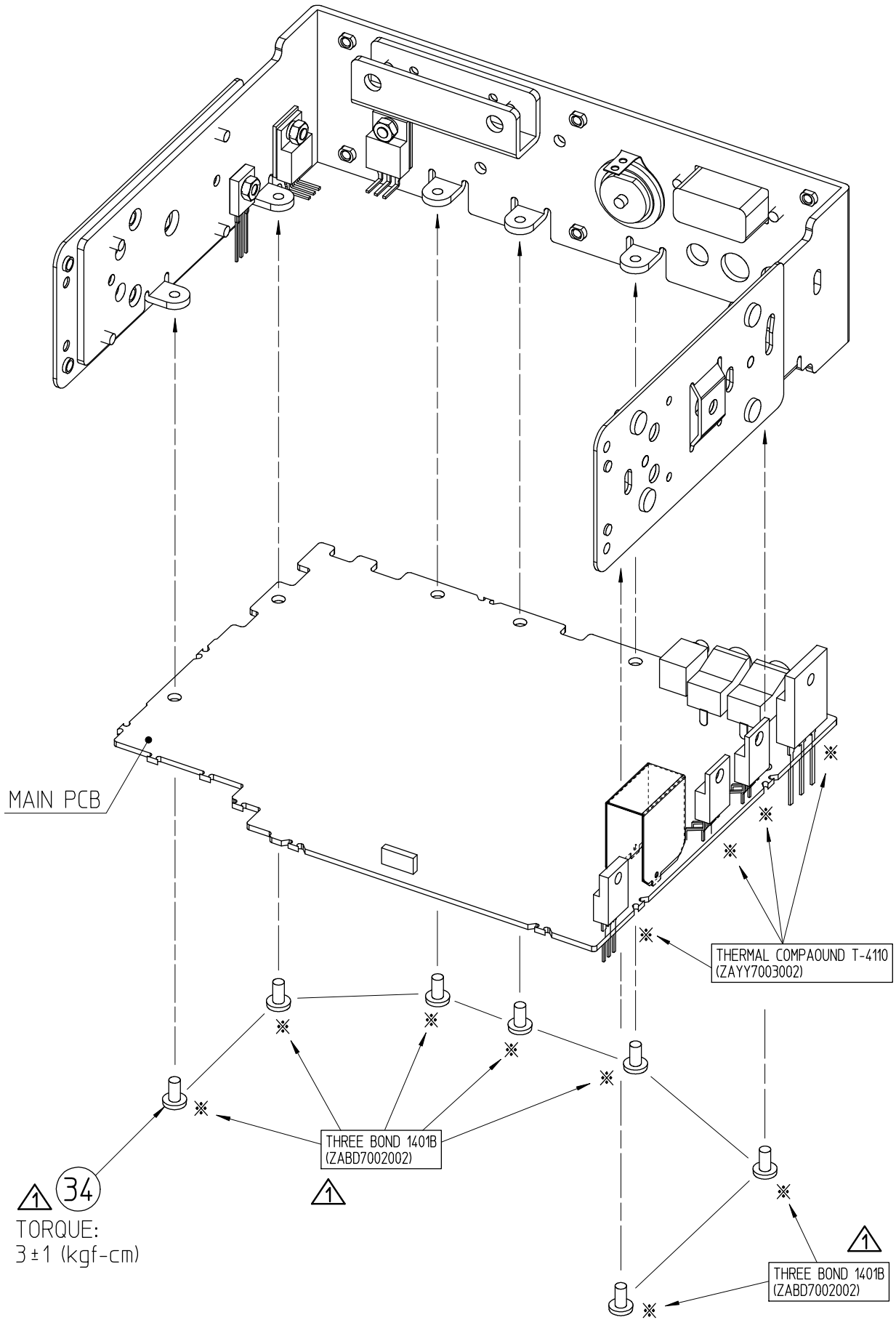


PRESIDENT

BUYER NAME
McKinley USA

MODEL
UT566ZV

MAIN PCB ASSY

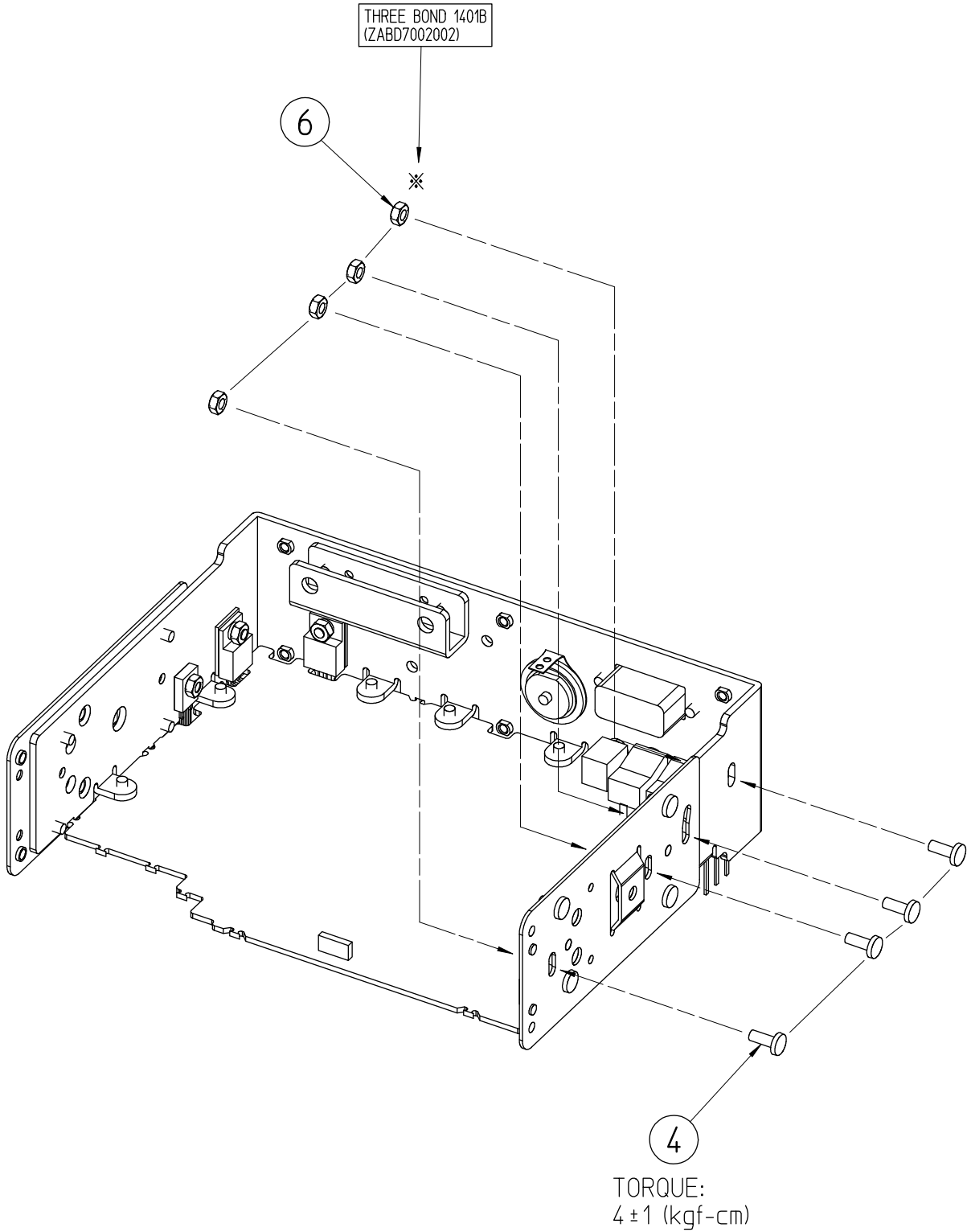


PRESIDENT

BUYER NAME
McKinley USA

MODEL
UT566ZV

MAIN PCB ASSY

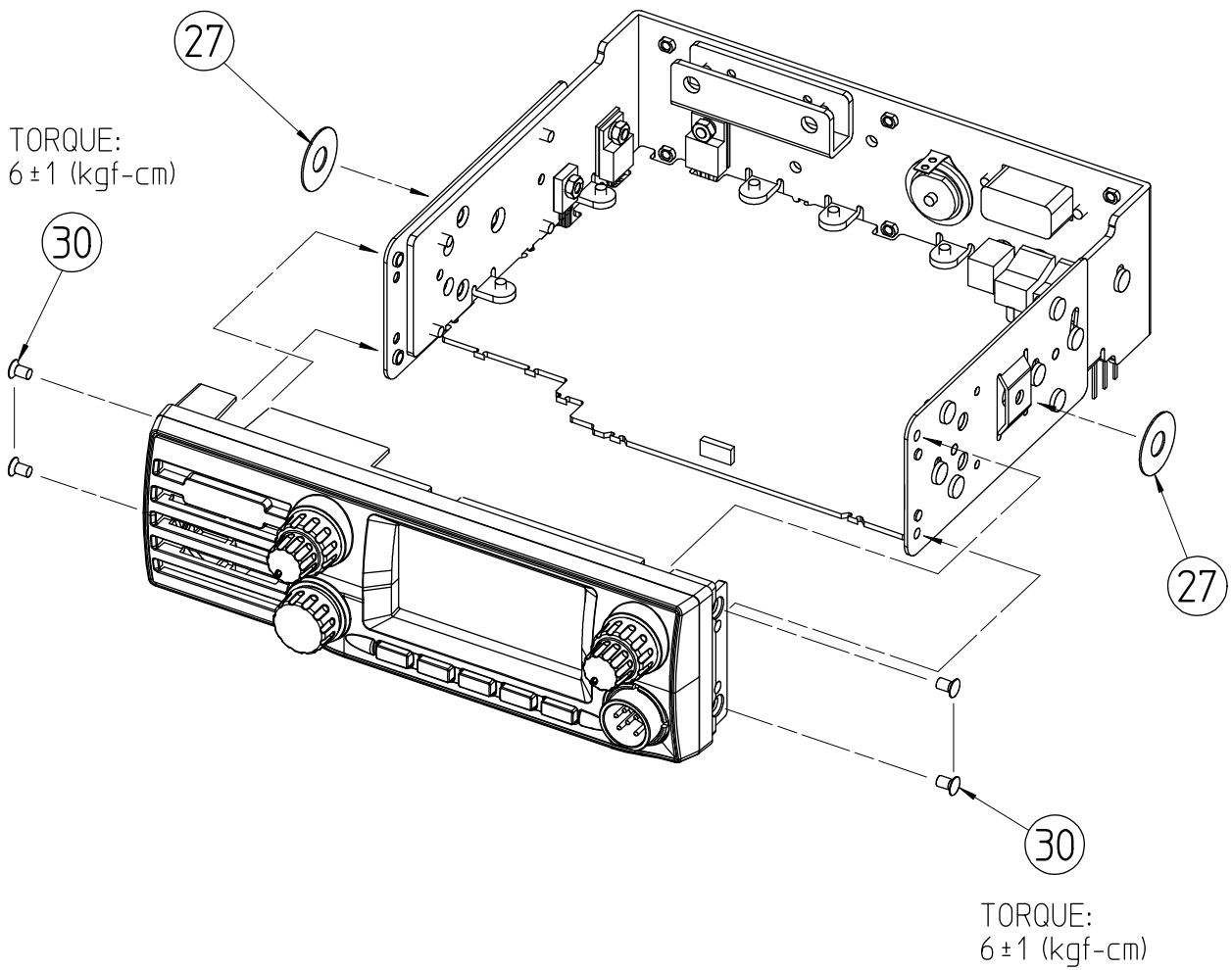


PRESIDENT

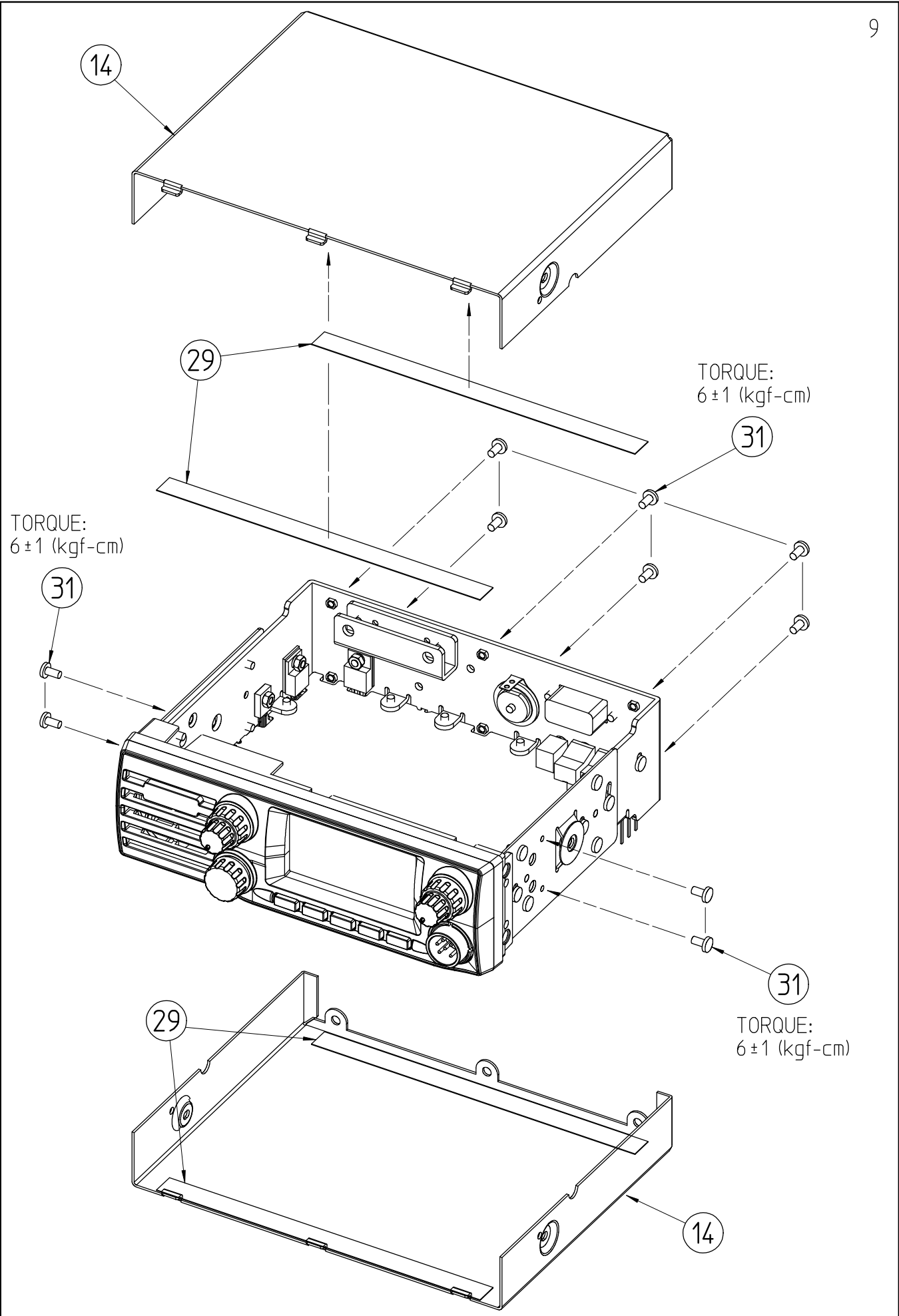
BUYER NAME
McKinley USA

MODEL
UT566ZV

TR ASSY



PRESIDENT	BUYER NAME McKinley USA	MODEL UT566ZV	ASSY
-----------	----------------------------	------------------	------



PRESIDENT	BUYER NAME McKinley USA	MODEL UT566ZV	ASSY
-----------	----------------------------	------------------	------

No.	DESCRIPTION	QTY	REMARKS
1	BUSHING	2	TR(REAR/LEFT)
42	SHIELD	1	COIL
2	PLATE	1	TR
43	PLATE	2	SHIELD,SIDE
44	PLATE	1	SHIELD, TOP
3	SCREW:BIND HD	3	TR(REAR/LEFT*2)-CHASSIS
4	SCREW:BIND HD	4	TR(RIGHT*4)-CHASSIS
5	NUT:HEX	3	TR(REAR/LEFT*2)
6	NUT:HEX	4	TR(RIGHT*4)
7	HOLDER DISPLAY	1	
8	LIGHTING PLATE	1	
9	REFLECTION SHEET	1	
10	CASE FRONT	1	
11	KNOB	2	OUTER
12	KNOB	2	INNER
13	KNOB	1	CH
14	COVER	2	
15	CHASSIS(COMP)	1	
16	SPRING PLATE	1	ANT JACK
17	FRAME	2	RIGHT/LEFT SIDE
18	HOLDER SPEAKER	1	
19	HEAT SINK	1	CHASSIS REAR
20	CONTACT PLATE	1	MIC JACK
45	CONTACT PLATE	1	ANT JACK
21	PLATE DISPLAY	1	
-	PLATE ID	1	
22	KEY RUBBER	1	
23	NUT	1	ANT JACK
24	INSERT	0	HCH109697ZZ 6PCS
-	WIRING STICKER	1	COVER(TOP)
-	LABEL INDICATION	1	COVER(TOP)
25	CUSHION	1	LCD
26	CUSHION	1	SP
27	SPACER	2	CHASSIS
28	PLATE	2	KEY PCB
29	WOOL-COATED PAPER:WOOL TACK	4	COVER
30	SCREW:FLAT HD +	4	CHASSIS-FRONT
31	SCREW:BIND HD +	10	COVER-CHASSIS
32	SCREW:BIND HD +	8	CHASSIS-FRAME
33	SCREW:BIND HD +	2	CHASSIS-HEATSINK
34	SCREW:BIND HD +	7	MAIN PCB-CHASSIS
35	SCREW:TAPTIGHT BIND HD +	2	POWER JACK
36	SCREW:P TIGHT BIND HD	2	KEY PCB
37	SCREW:P TIGHT BIND HD	4	FRONT PCB
38	SCREW:P TIGHT BIND HD	2	HOLDER SP (H)
39	SPRING PLATE:KNOB	2	INNER KNOB
40	SPRING PLATE:KNOB	2	OUTER KNOB
41	SPRING PLATE:KNOB	1	CH
-	RIVET (A)	2	PLATE ID

Mc KINLEY US

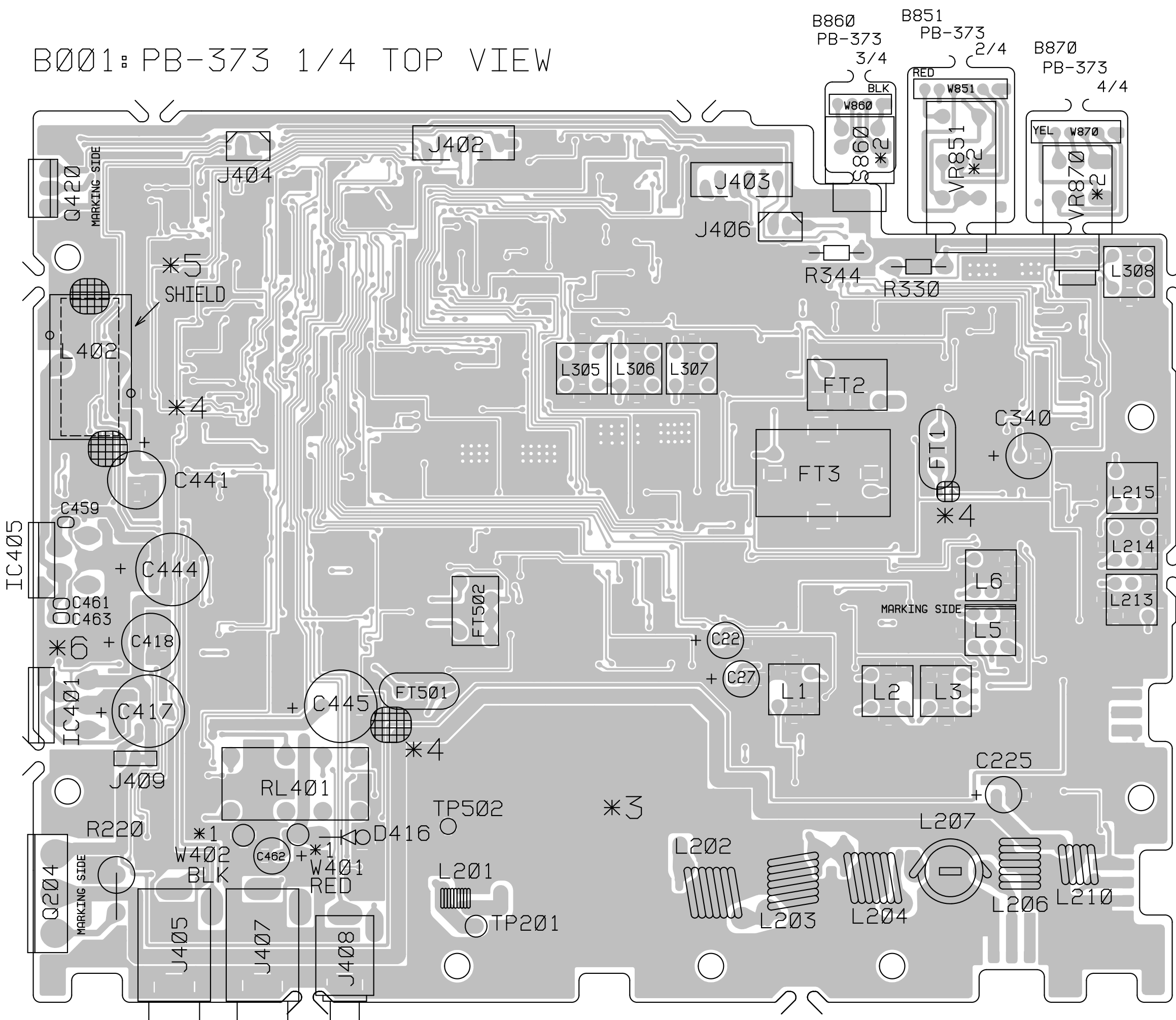
12/24

COMPONENT LAYOUT

USE Pb FREE SOLDER

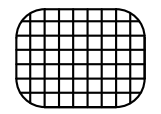
This drawing also includes the dummy parts not to mount.
BOM and parts list are given priority.

B001: PB-373 1/4 TOP VIEW

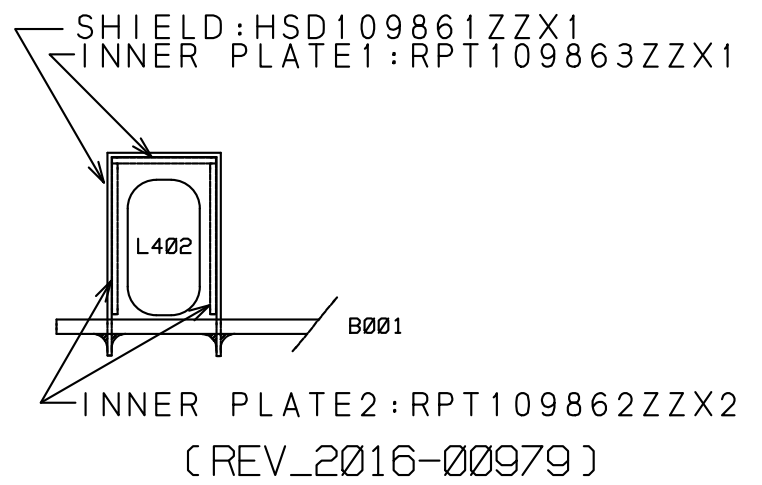


- *1: W401 AND W402
5mm SIDE DIP
- *2: VR851, VR870 AND S860
USE FITTING JIG
- *3: L201, L202, L203, L204, L206
L210 MUST BE FLAT MOUNT

*4: APPLY BOND LOCK
THREE BOND 1530 WHITE



*5: SET SHIELD TO L402
BEFORE DIP

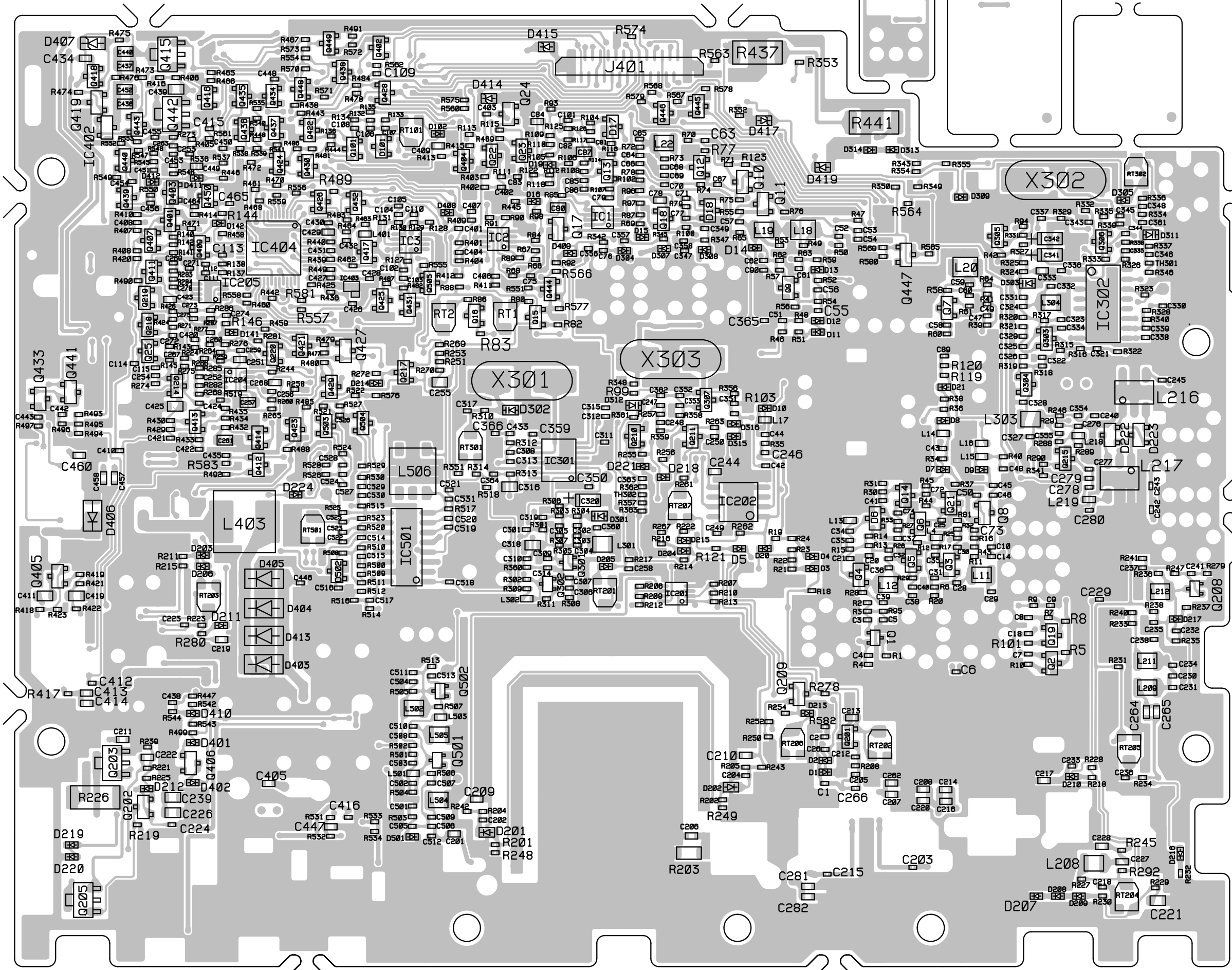


DESIGN. BY	DRAWN. BY	MODEL NO.
KUNIMITSU	KAMATA	UT566ZV
2016/07/26	2016/07/27	MC KINLEY USA
CHECK. BY	APPRO. BY	TITLE MAIN ASSY
KAMATA	KUNIMITSU	PARTS ASS'Y TOP VIEW 1/2
2016/10/31	2016/10/31	DRAWING NO.
		E23-33232
REV. NO.		PRESIDENT

USE Pb FREE SOLDER

This drawing also includes the dummy parts not to mount.
BOM and parts list are given priority.

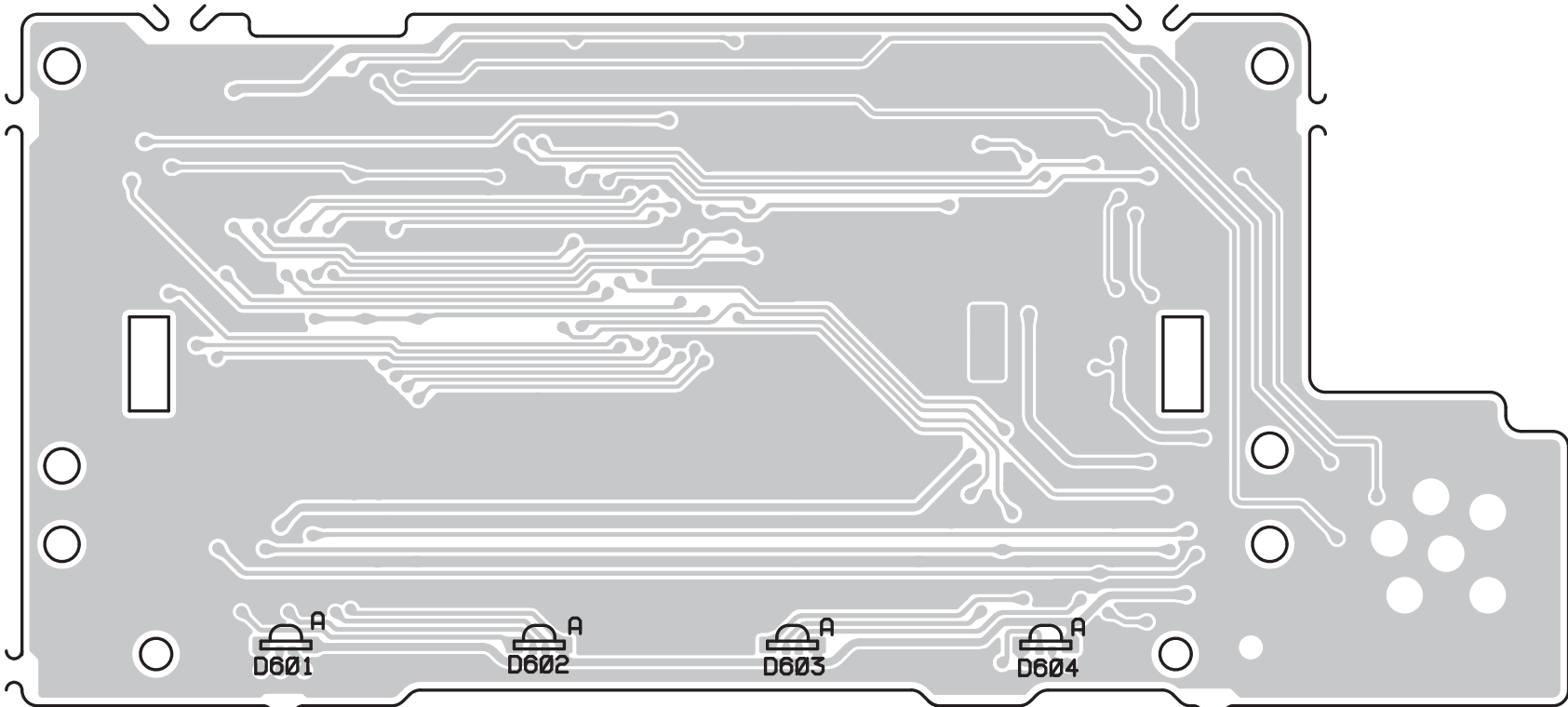
B001: PB-373 1/4 TOP VIEW



DESIGN. BY	DRAWN. BY	MODEL NO.	
KUNIMITSU	KAMATA	UT566ZV	MC KINLEY USA
2016/07/26	2016/07/27	TITLE	MAIN ASSY
CHECK. BY	APPRO. BY	CHIP LAYOUT TOP VIEW 1/4	
KAMATA	KUNIMITSU	DRAWING NO.	
2016/10/31	2016/10/31	E23-33228	
REV. NO.		PRESIDENT	

USE Pb FREE SOLDER

B601 : PB-374 1/2 (TOP VIEW)

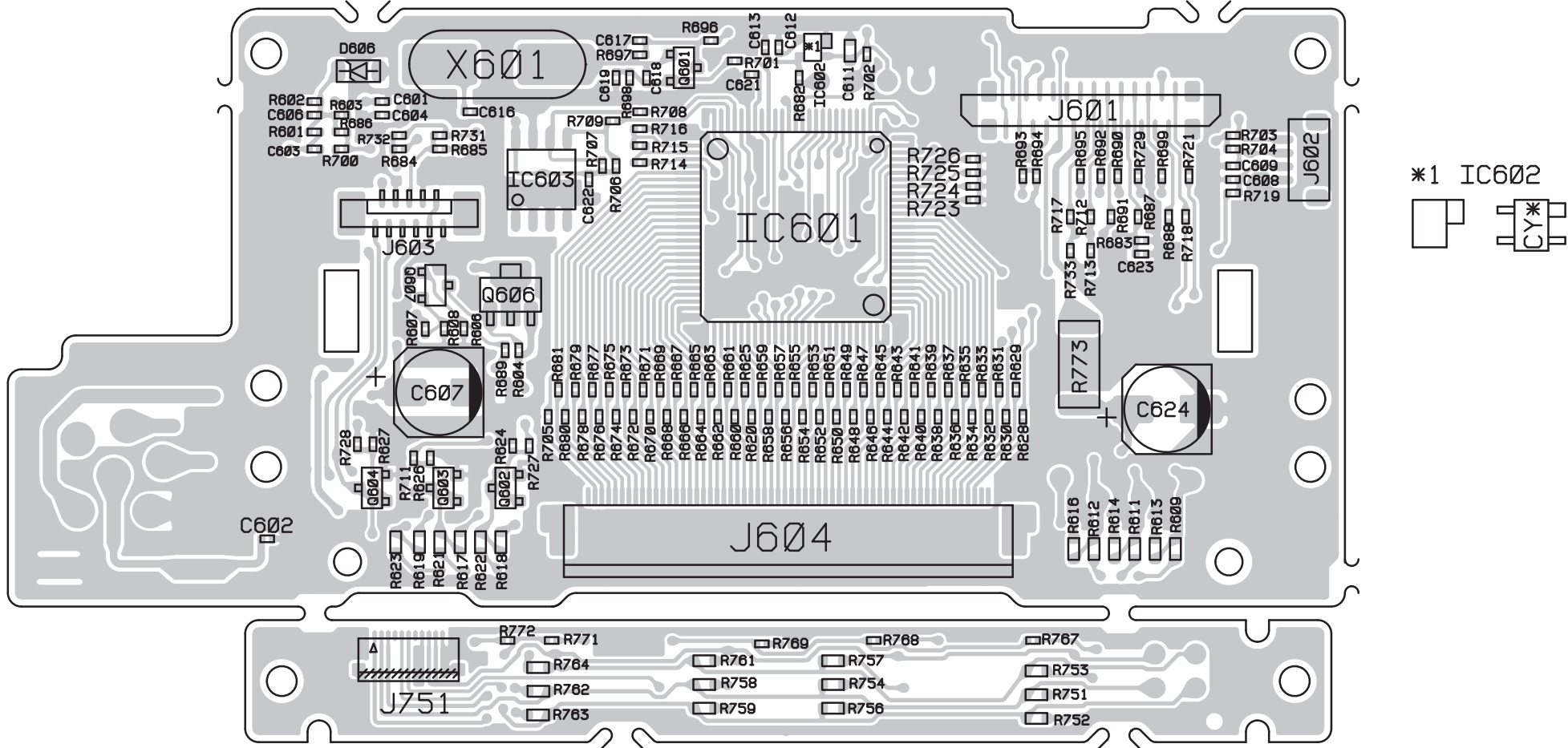


B751 : PB-374 2/2 (TOP VIEW)

DESIGN. BY	DRAWN. BY	MODEL NO.
MATSUMOTO	KAMATA	UT566ZV MCKINLEY USA
2016/05/20	2016/07/28	TITLE FRONT ASSY
CHECK. BY	APPRO. BY	CHIP LAYOUT TOP VIEW 1/2
KAMATA	KUNIMITSU	DRAWING NO.
2016/09/12	2016/09/12	E24-33234
REV. NO.		PRESIDENT

USE Pb FREE SOLDER

B601 : PB-374 1/2 (BOTTOM VIEW)



B751 : PB-374 2/2 (BOTTOM VIEW)

DESIGN. BY	DRAWN. BY	UT566ZV	MODEL NO.
MATSUMOTO	KAMATA		MCKINLEY USA
2016/05/20	2016/07/28	TITLE FRONT ASSY CHIP LAYOUT BOTTOM VIEW 1/2	
CHECK. BY	APPRO. BY	DRAWING NO.	
KAMATA	KUNIMITSU	E24-33236	
2016/09/12	2016/09/12	PRESIDENT	
REV. NO.			

Mc KINLEY US

12/24

COMPONENTS LIST

McKINLEY USA PARTS LIST

ASSY CODE	DESCRIPTION	SPEC	REFNO	QTY
MAIN ASSY	PCB:MAIN	PB-373AB 1/4	B001	1
MAIN ASSY	C:CERAMIC M/L (1005) TAPE	22PF 50V J CH	C001	1
MAIN ASSY	C:CERAMIC M/L (1005) TAPE	0.01uF 25V K B	C002	1
MAIN ASSY	C:CERAMIC M/L (1005) TAPE	0.01uF 25V K B	C003	1
MAIN ASSY	C:CERAMIC M/L (1005) TAPE	0.01uF 25V K B	C004	1
MAIN ASSY	C:CERAMIC M/L (1005) TAPE	0.01uF 25V K B	C005	1
MAIN ASSY	C:CERAMIC M/L (1005) TAPE	0.75PF 50V B CH	C006	1
MAIN ASSY	C:CERAMIC M/L (1005) TAPE	0.01uF 25V K B	C007	1
MAIN ASSY	C:CERAMIC M/L (1005) TAPE	0.01uF 25V K B	C008	1
MAIN ASSY	C:CERAMIC M/L (1005) TAPE	0.01uF 25V K B	C009	1
MAIN ASSY	C:CERAMIC M/L (1005) TAPE	5PF 50V C CH	C010	1
MAIN ASSY	C:CERAMIC M/L (1005) TAPE	0.01uF 25V K B	C014	1
MAIN ASSY	C:CERAMIC M/L (1005) TAPE	470PF 50V J CH	C018	1
MAIN ASSY	C:CERAMIC M/L (1005) TAPE	0.1u 10V K B	C020	1
MAIN ASSY	C:CERAMIC M/L (1005) TAPE	0.1u 10V K B	C021	1
MAIN ASSY	C:ELECTROLYTIC	47UF 25V M C-480	C022	1
MAIN ASSY	C:CERAMIC M/L (1005) TAPE	0.1u 10V K B	C025	1
MAIN ASSY	C:CERAMIC M/L (1005) TAPE	0.1u 10V K B	C026	1
MAIN ASSY	C:ELECTROLYTIC	47UF 25V M C-480	C027	1
MAIN ASSY	C:CERAMIC M/L (1005) TAPE	0.001u 50V K B	C028	1
MAIN ASSY	C:CERAMIC M/L (1005) TAPE	27PF 50V J CH	C029	1
MAIN ASSY	C:CERAMIC M/L (1005) TAPE	0.01uF 25V K B	C030	1
MAIN ASSY	C:CERAMIC M/L (1005) TAPE	0.1u 10V K B	C031	1
MAIN ASSY	C:CERAMIC M/L (1005) TAPE	0.001u 50V K B	C032	1
MAIN ASSY	C:CERAMIC M/L (1005) TAPE	33PF 50V J CH	C033	1
MAIN ASSY	C:CERAMIC M/L (1005) TAPE	33PF 50V J CH	C034	1
MAIN ASSY	C:CERAMIC M/L (1005) TAPE	0.001u 50V K B	C035	1
MAIN ASSY	C:CERAMIC M/L (1005) TAPE	27PF 50V J CH	C036	1
MAIN ASSY	C:CERAMIC M/L (1005) TAPE	0.022uF 25V K B	C037	1
MAIN ASSY	C:CERAMIC M/L (1005) TAPE	47PF 50V J CH	C038	1
MAIN ASSY	C:CERAMIC M/L (1005) TAPE	47PF 50V J CH	C039	1
MAIN ASSY	C:CERAMIC M/L (1005) TAPE	0.001u 50V K B	C040	1
MAIN ASSY	C:CERAMIC M/L (1005) TAPE	5PF 50V B CH	C041	1
MAIN ASSY	C:CERAMIC M/L (1005) TAPE	33PF 50V J CH	C042	1
MAIN ASSY	C:CERAMIC M/L (1005) TAPE	0.022uF 25V K B	C043	1
MAIN ASSY	C:CERAMIC M/L (1005) TAPE	0.022uF 25V K B	C044	1
MAIN ASSY	C:CERAMIC M/L (1005) TAPE	39PF 50V J CH	C045	1
MAIN ASSY	C:CERAMIC M/L (1005) TAPE	39PF 50V J CH	C046	1
MAIN ASSY	C:CERAMIC M/L (1005) TAPE	10PF 50V D CH	C047	1
MAIN ASSY	C:CERAMIC M/L (1005) TAPE	0.01uF 25V K B	C048	1
MAIN ASSY	C:CERAMIC M/L (1005) TAPE	0.1u 10V K B	C049	1
MAIN ASSY	C:CERAMIC M/L (1005) TAPE	330PF 16V J CH	C050	1
MAIN ASSY	C:CERAMIC M/L (1005) TAPE	0.022uF 25V K B	C051	1
MAIN ASSY	C:CERAMIC M/L (1005) TAPE	0.1u 10V K B	C052	1
MAIN ASSY	C:CERAMIC M/L (1005) TAPE	470p 50V K B	C053	1
MAIN ASSY	C:CERAMIC M/L (1005) TAPE	470PF 50V J CH	C054	1
MAIN ASSY	C:CERAMIC M/L (1005) TAPE	0.1u 10V K B	C055	1
MAIN ASSY	C:CERAMIC M/L (1005) TAPE	0.1u 10V K B	C056	1
MAIN ASSY	C:CERAMIC M/L (1005) TAPE	470PF 50V J CH	C057	1
MAIN ASSY	C:CERAMIC M/L (1005) TAPE	220PF 50V J CH	C058	1

McKINLEY USA PARTS LIST

ASSY CODE	DESCRIPTION	SPEC	REFNO	QTY
MAIN ASSY	C:CERAMIC ML (1005) TAPE	180PF 50V J CH	C059	1
MAIN ASSY	C:CERAMIC ML (1005) TAPE	0.1u 10V K B	C060	1
MAIN ASSY	C:CERAMIC ML (1005) TAPE	0.1u 10V K B	C061	1
MAIN ASSY	C:CERAMIC ML (1005) TAPE	1UF 6.3V K B	C062	1
MAIN ASSY	C:CERAMIC ML (1005) TAPE	0.1u 10V K B	C063	1
MAIN ASSY	C:CERAMIC ML (1005) TAPE	0.1u 10V K B	C064	1
MAIN ASSY	C:CERAMIC ML (1005) TAPE	0.0022u 50V K B	C065	1
MAIN ASSY	C:CERAMIC ML (1005) TAPE	0.001u 50V K B	C066	1
MAIN ASSY	C:CERAMIC ML (1005) TAPE	0.001u 50V K B	C067	1
MAIN ASSY	C:CERAMIC ML (1005) TAPE	68PF 50V J CH	C068	1
MAIN ASSY	C:CERAMIC ML (1005) TAPE	120PF 50V J CH	C069	1
MAIN ASSY	C:CERAMIC ML (1005) TAPE	100PF 50V J CH	C070	1
MAIN ASSY	C:CERAMIC ML (1005) TAPE	100PF 50V J CH	C071	1
MAIN ASSY	C:CERAMIC ML (1005) TAPE	100PF 50V J CH	C072	1
MAIN ASSY	C:CERAMIC ML (1005) TAPE	33PF 50V J CH	C073	1
MAIN ASSY	C:CERAMIC ML (1005) TAPE	0.0047UF 50V K B	C074	1
MAIN ASSY	C:CERAMIC ML (1005) TAPE	0.01uF 25V K B	C075	1
MAIN ASSY	C:CERAMIC ML (1005) TAPE	470PF 50V J CH	C076	1
MAIN ASSY	C:CERAMIC ML (1005) TAPE	0.1u 10V K B	C077	1
MAIN ASSY	C:CERAMIC ML (1608) TAPE	2.2UF 10V K B	C078	1
MAIN ASSY	C:CERAMIC ML (1005) TAPE	0.001u 50V K B	C079	1
MAIN ASSY	C:CERAMIC ML (2125) TAPE	4.7UF 25V K B C-360	C080	1
MAIN ASSY	C:CERAMIC ML (1005) TAPE	100PF 50V J CH	C081	1
MAIN ASSY	C:CERAMIC ML (1005) TAPE	220PF 50V J CH	C082	1
MAIN ASSY	C:CERAMIC ML (1005) TAPE	0.0047UF 50V K B	C083	1
MAIN ASSY	C:CERAMIC ML (1608) TAPE	2.2UF 10V K B	C084	1
MAIN ASSY	C:CERAMIC ML (1005) TAPE	0.0068UF 25V K B	C085	1
MAIN ASSY	C:CERAMIC ML (1005) TAPE	0.1u 10V K B	C086	1
MAIN ASSY	C:CERAMIC ML (2125) TAPE	10UF 16V K B	C087	1
MAIN ASSY	C:CERAMIC ML (1005) TAPE	0.022uF 25V K B	C089	1
MAIN ASSY	C:CERAMIC ML (1005) TAPE	270PF 50V J CH	C090	1
MAIN ASSY	C:CERAMIC ML (1005) TAPE	100PF 50V J CH	C101	1
MAIN ASSY	C:CERAMIC ML (1005) TAPE	330PF 16V J CH	C102	1
MAIN ASSY	C:CERAMIC ML (1005) TAPE	330PF 16V J CH	C103	1
MAIN ASSY	C:CERAMIC ML (1005) TAPE	330PF 16V J CH	C104	1
MAIN ASSY	C:CERAMIC ML (1005) TAPE	0.1u 10V K B	C105	1
MAIN ASSY	C:CERAMIC ML (1005) TAPE	1UF 6.3V K B	C106	1
MAIN ASSY	C:CERAMIC ML (1005) TAPE	1UF 6.3V K B	C107	1
MAIN ASSY	C:CERAMIC ML (1005) TAPE	0.1u 10V K B	C108	1
MAIN ASSY	C:CERAMIC ML (1005) TAPE	0.022uF 25V K B	C109	1
MAIN ASSY	C:CERAMIC ML (1005) TAPE	330PF 16V J CH	C110	1
MAIN ASSY	C:CERAMIC ML (1005) TAPE	0.068uF 16V K B	C111	1
MAIN ASSY	C:CERAMIC ML (1005) TAPE	0.33UF 6.3V K B	C112	1
MAIN ASSY	C:CERAMIC ML (1005) TAPE	0.0022u 50V K B	C113	1
MAIN ASSY	C:CERAMIC ML (1005) TAPE	0.047uF 16V K B	C114	1
MAIN ASSY	C:CERAMIC ML (1005) TAPE	1UF 6.3V K B	C115	1
MAIN ASSY	C:CERAMIC ML (1608) TAPE	12PF 50V J CH	C201	1
MAIN ASSY	C:CERAMIC ML (1005) TAPE	0.01uF 25V K B	C202	1
MAIN ASSY	C:CERAMIC ML (1005) TAPE	27PF 50V J CH	C203	1
MAIN ASSY	C:CERAMIC ML (1005) TAPE	0.01uF 25V K B	C204	1

McKINLEY USA PARTS LIST

ASSY CODE	DESCRIPTION	SPEC	REFNO	QTY
MAIN ASSY	C:CERAMIC ML (1005) TAPE	1PF 50V B CH	C205	1
MAIN ASSY	C:CERAMIC ML (1608) TAPE	47PF 50V J CH	C206	1
MAIN ASSY	C:CERAMIC ML (1608) TAPE	100PF 50V J CH	C207	1
MAIN ASSY	C:CERAMIC ML (1608) TAPE	180PF 50V J CH	C208	1
MAIN ASSY	C:CERAMIC ML (1608) TAPE	1UF 16V K B	C209	1
MAIN ASSY	C:CERAMIC ML (1608) TAPE	1UF 16V K B	C210	1
MAIN ASSY	C:CERAMIC ML (1608) TAPE	0.1UF 50V K B	C211	1
MAIN ASSY	C:CERAMIC ML (1005) TAPE	15PF 50V J CH	C212	1
MAIN ASSY	C:CERAMIC ML (1608) TAPE	0.0047UF 50V K B	C213	1
MAIN ASSY	C:CERAMIC ML (1608) TAPE	470PF 50V J CH	C214	1
MAIN ASSY	C:CERAMIC ML (1005) TAPE	33PF 50V J CH	C215	1
MAIN ASSY	C:CERAMIC ML (1608) TAPE	470PF 50V J CH	C216	1
MAIN ASSY	C:CERAMIC ML (1608) TAPE	0.1UF 50V K B	C217	1
MAIN ASSY	C:CERAMIC ML (1005) TAPE	0.01uF 25V K B	C218	1
MAIN ASSY	C:CERAMIC ML (1608) TAPE	0.0047UF 50V K B	C219	1
MAIN ASSY	C:CERAMIC ML (1608) TAPE	220PF 50V J CH	C220	1
MAIN ASSY	C:CERAMIC ML (2125)	4.7UF 10V K B C-384	C221	1
MAIN ASSY	C:CERAMIC ML (1608) TAPE	0.001UF 50V K B	C222	1
MAIN ASSY	C:CERAMIC ML (1005) TAPE	0.022uF 25V K B	C223	1
MAIN ASSY	C:CERAMIC ML (1005) TAPE	0.001u 50V K B	C224	1
MAIN ASSY	C:ELECTROLYTIC	4.7UF 50V M C-480	C225	1
MAIN ASSY	C:CERAMIC ML (2125) TAPE	10UF 16V K B	C226	1
MAIN ASSY	C:CERAMIC ML (1608) TAPE	820PF 50V J CH	C227	1
MAIN ASSY	C:CERAMIC ML (1005) TAPE	100PF 50V J CH	C230	1
MAIN ASSY	C:CERAMIC ML (1005) TAPE	150PF 50V J CH	C231	1
MAIN ASSY	C:CERAMIC ML (1005) TAPE	56PF 50V J CH	C232	1
MAIN ASSY	C:CERAMIC ML (1005) TAPE	0.01uF 25V K B	C233	1
MAIN ASSY	C:CERAMIC ML (1005) TAPE	47PF 50V J CH	C234	1
MAIN ASSY	C:CERAMIC ML (1005) TAPE	0.01uF 25V K B	C235	1
MAIN ASSY	C:CERAMIC ML (1005) TAPE	0.01uF 25V K B	C236	1
MAIN ASSY	C:CERAMIC ML (1005) TAPE	0.01uF 25V K B	C237	1
MAIN ASSY	C:CERAMIC ML (1005) TAPE	0.01uF 25V K B	C238	1
MAIN ASSY	C:CERAMIC ML (2125) TAPE	10UF 16V K B	C239	1
MAIN ASSY	C:CERAMIC ML (1005) TAPE	0.1u 10V K B	C240	1
MAIN ASSY	C:CERAMIC ML (1005) TAPE	100PF 50V J CH	C241	1
MAIN ASSY	C:CERAMIC ML (1005) TAPE	1PF 50V B CH	C242	1
MAIN ASSY	C:CERAMIC ML (1005) TAPE	1PF 50V B CH	C243	1
MAIN ASSY	C:CERAMIC ML (1608) TAPE	0.22UF 16V K B	C244	1
MAIN ASSY	C:CERAMIC ML (1005) TAPE	68PF 50V J CH	C245	1
MAIN ASSY	C:CERAMIC ML (1005) TAPE	0.01uF 25V K B	C246	1
MAIN ASSY	C:CERAMIC ML (1005) TAPE	0.01uF 25V K B	C247	1
MAIN ASSY	C:CERAMIC ML (1005) TAPE	0.01uF 25V K B	C248	1
MAIN ASSY	C:CERAMIC ML (1005) TAPE	1UF 6.3V K B	C249	1
MAIN ASSY	C:CERAMIC ML (1005) TAPE	1UF 6.3V K B	C250	1
MAIN ASSY	C:CERAMIC ML (1608) TAPE	0.22UF 16V K B	C251	1
MAIN ASSY	C:CERAMIC ML (1005) TAPE	1UF 6.3V K B	C252	1
MAIN ASSY	C:CERAMIC ML (1005) TAPE	0.001u 50V K B	C253	1
MAIN ASSY	C:CERAMIC ML (1005) TAPE	0.047uF 16V K B	C254	1
MAIN ASSY	C:CERAMIC ML (2125) TAPE	22UF 6.3V B M	C255	1
MAIN ASSY	C:CERAMIC ML (1005) TAPE	47PF 50V J CH	C256	1

McKINLEY USA PARTS LIST

ASSY CODE	DESCRIPTION	SPEC	REFNO	QTY
MAIN ASSY	C:CERAMIC ML (2125) TAPE	22UF 6.3V B M	C257	1
MAIN ASSY	C:CERAMIC ML (1005) TAPE	1UF 6.3V K B	C258	1
MAIN ASSY	C:CERAMIC ML (1005) TAPE	220PF 50V J CH	C259	1
MAIN ASSY	C:CERAMIC ML (1005) TAPE	100PF 50V J CH	C260	1
MAIN ASSY	C:CERAMIC ML (2125) TAPE	22UF 6.3V B M	C261	1
MAIN ASSY	C:CERAMIC ML (1608) TAPE	22PF 50V J CH	C262	1
MAIN ASSY	C:CERAMIC ML (1005) TAPE	0.1u 10V K B	C263	1
MAIN ASSY	C:CERAMIC ML (1608) TAPE	820PF 50V J CH	C264	1
MAIN ASSY	C:CERAMIC ML (1608) TAPE	820PF 50V J CH	C265	1
MAIN ASSY	C:CERAMIC ML (1005) TAPE	0.5PF 50V B CH	C266	1
MAIN ASSY	C:CERAMIC ML (1005) TAPE	0.1u 10V K B	C267	1
MAIN ASSY	C:CERAMIC ML (1608) TAPE	820PF 50V J CH	C268	1
MAIN ASSY	C:CERAMIC ML (1005) TAPE	0.068uF 16V K B	C269	1
MAIN ASSY	C:CERAMIC ML (1005) TAPE	0.33UF 6.3V K B	C270	1
MAIN ASSY	C:CERAMIC ML (1005) TAPE	0.0022u 50V K B	C271	1
MAIN ASSY	C:CERAMIC ML (1005) TAPE	0.1u 10V K B	C272	1
MAIN ASSY	C:CERAMIC ML (1005) TAPE	0.0022u 50V K B	C273	1
MAIN ASSY	C:CERAMIC ML (1005) TAPE	0.33UF 6.3V K B	C274	1
MAIN ASSY	C:CERAMIC ML (1005) TAPE	0.068uF 16V K B	C275	1
MAIN ASSY	C:CERAMIC ML (1005) TAPE	0.01uF 25V K B	C276	1
MAIN ASSY	C:CERAMIC ML (1005) TAPE	150PF 50V J CH	C277	1
MAIN ASSY	C:CERAMIC ML (1005) TAPE	680PF 50V J CH	C278	1
MAIN ASSY	C:CERAMIC ML (1005) TAPE	220PF 50V J CH	C279	1
MAIN ASSY	C:CERAMIC ML (1005) TAPE	220PF 50V J CH	C280	1
MAIN ASSY	C:CERAMIC ML (1608) TAPE	22PF 50V J CH	C281	1
MAIN ASSY	C:CERAMIC ML (1608) TAPE	100PF 50V J CH	C282	1
MAIN ASSY	C:CERAMIC ML (1005) TAPE	0.001u 50V K B	C301	1
MAIN ASSY	C:CERAMIC ML (1005) TAPE	22PF 50V J CH	C302	1
MAIN ASSY	C:CERAMIC ML (1005) TAPE	8PF 50V D CH	C303	1
MAIN ASSY	C:CERAMIC ML (1005) TAPE	68PF 50V J CH	C304	1
MAIN ASSY	C:CERAMIC ML (1005) TAPE	0.01uF 25V K B	C305	1
MAIN ASSY	C:CERAMIC ML (1005) TAPE	3PF 50V B CH	C306	1
MAIN ASSY	C:CERAMIC ML (1005) TAPE	33PF 50V J CH	C307	1
MAIN ASSY	C:CERAMIC ML (1005) TAPE	68PF 50V J CH	C308	1
MAIN ASSY	C:CERAMIC ML (1005) TAPE	0.001u 50V K B	C309	1
MAIN ASSY	C:CERAMIC ML (1005) TAPE	100PF 50V J CH	C310	1
MAIN ASSY	C:CERAMIC ML (1005) TAPE	100PF 50V J CH	C311	1
MAIN ASSY	C:CERAMIC ML (1005) TAPE	100PF 50V J CH	C312	1
MAIN ASSY	C:CERAMIC ML (1005) TAPE	56PF 50V J CH	C313	1
MAIN ASSY	C:CERAMIC ML (1005) TAPE	18PF 50V J CH	C314	1
MAIN ASSY	C:CERAMIC ML (1005) TAPE	100PF 50V J CH	C315	1
MAIN ASSY	C:CERAMIC ML (2125) TAPE	10UF 16V K B	C316	1
MAIN ASSY	C:CERAMIC ML (1005) TAPE	0.01uF 25V K B	C317	1
MAIN ASSY	C:CERAMIC ML (2125) TAPE	10UF 16V K B	C318	1
MAIN ASSY	C:CERAMIC ML (1005) TAPE	0.01uF 25V K B	C319	1
MAIN ASSY	C:TANTALUM	SA-CA45-1V474M-RA C-488	C320	1
MAIN ASSY	C:CERAMIC ML (1005) TAPE	15PF 50V J CH	C321	1
MAIN ASSY	C:CERAMIC ML (1005) TAPE	0.01uF 25V K B	C322	1
MAIN ASSY	C:CERAMIC ML (1005) TAPE	0.01uF 25V K B	C323	1
MAIN ASSY	C:CERAMIC ML (1005) TAPE	27PF 50V J CH	C324	1

McKINLEY USA PARTS LIST

ASSY CODE	DESCRIPTION	SPEC	REFNO	QTY
MAIN ASSY	C:CERAMIC ML (1005) TAPE	330PF 16V J CH	C325	1
MAIN ASSY	C:CERAMIC ML (1005) TAPE	5PF 50V B CH	C326	1
MAIN ASSY	C:CERAMIC ML (1005) TAPE	82PF 50V J CH	C327	1
MAIN ASSY	C:CERAMIC ML (1005) TAPE	82PF 50V J CH	C328	1
MAIN ASSY	C:CERAMIC ML (1005) TAPE	39PF 50V J CH	C329	1
MAIN ASSY	C:CERAMIC ML (1005) TAPE	0.1u 10V K B	C330	1
MAIN ASSY	C:CERAMIC ML (1005) TAPE	56PF 50V J CH	C331	1
MAIN ASSY	C:CERAMIC ML (1608) TAPE	0.022UF 50V K B	C333	1
MAIN ASSY	C:CERAMIC ML (1005) TAPE	100PF 50V J CH	C334	1
MAIN ASSY	C:CERAMIC ML (1005) TAPE	15PF 50V J CH	C335	1
MAIN ASSY	C:CERAMIC ML (1005) TAPE	100PF 50V J CH	C336	1
MAIN ASSY	C:CERAMIC ML (1005) TAPE	15PF 50V J CH	C337	1
MAIN ASSY	C:CERAMIC ML (1005) TAPE	100PF 50V J CH	C338	1
MAIN ASSY	C:CERAMIC ML (1005) TAPE	0.01uF 25V K B	C339	1
MAIN ASSY	C:ELECTROLYTIC	220UF 10V M C-480	C340	1
MAIN ASSY	C:TANTALUM	SA-CA45-1V224M-RA C-488	C341	1
MAIN ASSY	C:TANTALUM	SA-CA45-1C225M-RA C-488	C342	1
MAIN ASSY	C:CERAMIC ML (1005) TAPE	0.01uF 25V K B	C343	1
MAIN ASSY	C:CERAMIC ML (1005) TAPE	330PF 16V J CH	C344	1
MAIN ASSY	C:CERAMIC ML (1005) TAPE	150PF 50V J CH	C345	1
MAIN ASSY	C:CERAMIC ML (1005) TAPE	0.001u 50V K B	C346	1
MAIN ASSY	C:CERAMIC ML (1005) TAPE	47PF 50V J CH	C347	1
MAIN ASSY	C:CERAMIC ML (1005) TAPE	0.01uF 25V K B	C348	1
MAIN ASSY	C:CERAMIC ML (1005) TAPE	12PF 50V J CH	C349	1
MAIN ASSY	C:CERAMIC ML (1005) TAPE	0.01uF 25V K B	C351	1
MAIN ASSY	C:CERAMIC ML (1005) TAPE	270PF 50V J CH	C352	1
MAIN ASSY	C:CERAMIC ML (1005) TAPE	100PF 50V J CH	C353	1
MAIN ASSY	C:CERAMIC ML (1005) TAPE	0.01uF 25V K B	C355	1
MAIN ASSY	C:CERAMIC ML (1005) TAPE	0.01uF 25V K B	C356	1
MAIN ASSY	C:CERAMIC ML (1005) TAPE	0.01uF 25V K B	C357	1
MAIN ASSY	C:CERAMIC ML (1005) TAPE	0.01uF 25V K B	C358	1
MAIN ASSY	C:CERAMIC ML (1005) TAPE	2PF 50V B CH	C360	1
MAIN ASSY	C:CERAMIC ML (1005) TAPE	3PF 50V B CH	C361	1
MAIN ASSY	C:CERAMIC ML (1005) TAPE	100PF 50V J CH	C362	1
MAIN ASSY	C:CERAMIC ML (1005) TAPE	0.01uF 25V K B	C363	1
MAIN ASSY	C:CERAMIC ML (1005) TAPE	0.1u 10V K B	C364	1
MAIN ASSY	C:CERAMIC ML (1005) TAPE	0.01uF 25V K B	C365	1
MAIN ASSY	C:CERAMIC ML (1005) TAPE	68PF 50V J CH	C366	1
MAIN ASSY	C:CERAMIC ML (1005) TAPE	0.001u 50V K B	C401	1
MAIN ASSY	C:CERAMIC ML (1005) TAPE	0.0047UF 50V K B	C402	1
MAIN ASSY	C:CERAMIC ML (1005) TAPE	0.01uF 25V K B	C403	1
MAIN ASSY	C:CERAMIC ML (1005) TAPE	1UF 6.3V K B	C406	1
MAIN ASSY	C:CERAMIC ML (1005) TAPE	0.1u 10V K B	C407	1
MAIN ASSY	C:CERAMIC ML (1005) TAPE	0.047uF 16V K B	C408	1
MAIN ASSY	C:CERAMIC ML (1608) TAPE	2.2UF 10V K B	C409	1
MAIN ASSY	C:CERAMIC ML (1005) TAPE	0.1u 10V K B	C410	1
MAIN ASSY	C:CERAMIC ML (2125) TAPE	22UF 6.3V B M	C411	1
MAIN ASSY	C:CERAMIC ML (1005) TAPE	470PF 50V J CH	C412	1
MAIN ASSY	C:CERAMIC ML (1608) TAPE	0.1UF 50V K B	C413	1
MAIN ASSY	C:CERAMIC ML (1608) TAPE	0.1UF 50V K B	C414	1

McKINLEY USA PARTS LIST

ASSY CODE	DESCRIPTION	SPEC	REFNO	QTY
MAIN ASSY	C:CERAMIC ML (1005) TAPE	470PF 50V J CH	C415	1
MAIN ASSY	C:CERAMIC ML (1005) TAPE	0.001u 50V K B	C416	1
MAIN ASSY	C:ELECTROLYTIC	470UF 25V M C-480	C417	1
MAIN ASSY	C:ELECTROLYTIC	1000UF 16V M C-480	C418	1
MAIN ASSY	C:CERAMIC ML (2125) TAPE	22UF 6.3V B M	C419	1
MAIN ASSY	C:CERAMIC ML (1005) TAPE	1UF 6.3V K B	C420	1
MAIN ASSY	C:CERAMIC ML (1005) TAPE	0.022uF 25V K B	C421	1
MAIN ASSY	C:CERAMIC ML (1005) TAPE	100PF 50V J CH	C422	1
MAIN ASSY	C:CERAMIC ML (1005) TAPE	0.01uF 25V K B	C424	1
MAIN ASSY	C:CERAMIC ML (2125) TAPE	10UF 16V K B	C425	1
MAIN ASSY	C:CERAMIC ML (1005) TAPE	0.1u 10V K B	C426	1
MAIN ASSY	C:CERAMIC ML (1005) TAPE	0.01uF 25V K B	C427	1
MAIN ASSY	C:CERAMIC ML (1005) TAPE	0.01uF 25V K B	C428	1
MAIN ASSY	C:CERAMIC ML (1608) TAPE	1UF 16V K B	C429	1
MAIN ASSY	C:CERAMIC ML (1005) TAPE	0.1u 10V K B	C430	1
MAIN ASSY	C:CERAMIC ML (1005) TAPE	82PF 50V J CH	C431	1
MAIN ASSY	C:CERAMIC ML (1005) TAPE	0.01uF 25V K B	C432	1
MAIN ASSY	C:CERAMIC ML (1005) TAPE	0.001u 50V K B	C433	1
MAIN ASSY	C:CERAMIC ML (1608) TAPE	0.1UF 50V K B	C434	1
MAIN ASSY	C:CERAMIC ML (1005) TAPE	1UF 6.3V K B	C435	1
MAIN ASSY	C:CERAMIC ML (2125) TAPE	10UF 16V K B	C436	1
MAIN ASSY	C:CERAMIC ML (2125) TAPE	10UF 16V K B	C437	1
MAIN ASSY	C:CERAMIC ML (1005) TAPE	0.1u 10V K B	C438	1
MAIN ASSY	C:CERAMIC ML (2125) TAPE	22UF 6.3V B M	C439	1
MAIN ASSY	C:CERAMIC ML (2125) TAPE	10UF 16V K B	C440	1
MAIN ASSY	C:ELECTROLYTIC	1000UF 16V M C-480	C441	1
MAIN ASSY	C:CERAMIC ML (1005) TAPE	0.1u 10V K B	C442	1
MAIN ASSY	C:CERAMIC ML (1005) TAPE	0.01uF 25V K B	C443	1
MAIN ASSY	C:ELECTROLYTIC	220UF 50V M C-480	C444	1
MAIN ASSY	C:ELECTROLYTIC	220UF 50V M C-480	C445	1
MAIN ASSY	C:CERAMIC ML (1005) TAPE	0.001u 50V K B	C446	1
MAIN ASSY	C:CERAMIC ML (1608) TAPE	2.2UF 10V K B	C447	1
MAIN ASSY	C:CERAMIC ML (1005) TAPE	0.001u 50V K B	C448	1
MAIN ASSY	C:CERAMIC ML (1608) TAPE	2.2UF 10V K B	C449	1
MAIN ASSY	C:CERAMIC ML (1005) TAPE	0.001u 50V K B	C450	1
MAIN ASSY	C:CERAMIC ML (1005) TAPE	0.01uF 25V K B	C451	1
MAIN ASSY	C:CERAMIC ML (2125) TAPE	10UF 16V K B	C452	1
MAIN ASSY	C:CERAMIC ML (1005) TAPE	0.1u 10V K B	C453	1
MAIN ASSY	C:CERAMIC ML (1005) TAPE	0.01uF 25V K B	C454	1
MAIN ASSY	C:CERAMIC ML (1005) TAPE	0.01uF 25V K B	C455	1
MAIN ASSY	C:CERAMIC ML (1005) TAPE	1UF 6.3V K B	C456	1
MAIN ASSY	C:CERAMIC ML (1608) TAPE	0.047UF 50V K B	C457	1
MAIN ASSY	C:CERAMIC ML (1608) TAPE	0.047UF 50V K B	C458	1
MAIN ASSY	C:CERAMIC TS2.5S	MTX7R103PK50VPND0603L20RD20P	C459	1
MAIN ASSY	C:CERAMIC TS2.5S	MTX7R103PK50VPND0603L20RD20P	C461	1
MAIN ASSY	C:CERAMIC TS2.5S	MTX7R103PK50VPND0603L20RD20P	C463	1
MAIN ASSY	C:CERAMIC ML (1005) TAPE	1UF 6.3V K B	C464	1
MAIN ASSY	C:CERAMIC ML (1005) TAPE	1UF 6.3V K B	C465	1
MAIN ASSY	C:CERAMIC ML (1005) TAPE	100PF 50V J CH	C501	1
MAIN ASSY	C:CERAMIC ML (1005) TAPE	39PF 50V J CH	C502	1

McKINLEY USA PARTS LIST

ASSY CODE	DESCRIPTION	SPEC	REFNO	QTY
MAIN ASSY	C:CERAMIC ML (1005) TAPE	0.01uF 25V K B	C503	1
MAIN ASSY	C:CERAMIC ML (1005) TAPE	0.01uF 25V K B	C504	1
MAIN ASSY	C:CERAMIC ML (1005) TAPE	0.01uF 25V K B	C505	1
MAIN ASSY	C:CERAMIC ML (1005) TAPE	8PF 50V D CH	C506	1
MAIN ASSY	C:CERAMIC ML (1005) TAPE	33PF 50V J CH	C507	1
MAIN ASSY	C:CERAMIC ML (1005) TAPE	8PF 50V D CH	C508	1
MAIN ASSY	C:CERAMIC ML (1005) TAPE	39PF 50V J CH	C509	1
MAIN ASSY	C:CERAMIC ML (1005) TAPE	33PF 50V J CH	C510	1
MAIN ASSY	C:CERAMIC ML (1005) TAPE	27PF 50V J CH	C511	1
MAIN ASSY	C:CERAMIC ML (1005) TAPE	12PF 50V J CH	C512	1
MAIN ASSY	C:CERAMIC ML (1005) TAPE	5PF 50V B CH	C513	1
MAIN ASSY	C:CERAMIC ML (1005) TAPE	0.1u 10V K B	C514	1
MAIN ASSY	C:CERAMIC ML (1005) TAPE	1UF 6.3V K B	C515	1
MAIN ASSY	C:CERAMIC ML (1005) TAPE	0.022uF 25V K B	C516	1
MAIN ASSY	C:CERAMIC ML (1005) TAPE	0.01uF 25V K B	C517	1
MAIN ASSY	C:CERAMIC ML (1005) TAPE	68PF 50V J CH	C518	1
MAIN ASSY	C:CERAMIC ML (1005) TAPE	0.1u 10V K B	C519	1
MAIN ASSY	C:CERAMIC ML (1005) TAPE	0.1u 10V K B	C520	1
MAIN ASSY	C:CERAMIC ML (1005) TAPE	0.1u 10V K B	C521	1
MAIN ASSY	C:CERAMIC ML (1005) TAPE	220PF 50V J CH	C522	1
MAIN ASSY	C:CERAMIC ML (1005) TAPE	220PF 50V J CH	C523	1
MAIN ASSY	C:CERAMIC ML (1005) TAPE	0.015uF 25V K B	C524	1
MAIN ASSY	C:CERAMIC ML (1005) TAPE	0.0047UF 50V K B	C525	1
MAIN ASSY	C:CERAMIC ML (1005) TAPE	0.0022u 50V K B	C526	1
MAIN ASSY	C:CERAMIC ML (1005) TAPE	0.1u 10V K B	C527	1
MAIN ASSY	C:CERAMIC ML (1005) TAPE	0.015uF 25V K B	C528	1
MAIN ASSY	C:CERAMIC ML (1005) TAPE	0.0056UF 50V K B	C529	1
MAIN ASSY	C:CERAMIC ML (1005) TAPE	0.01uF 25V K B	C530	1
MAIN ASSY	C:CERAMIC ML (1005) TAPE	180PF 50V J CH	C531	1
MAIN ASSY	DIODE	KDS114E-RTK/P	D001	1
MAIN ASSY	DIODE	KDS114E-RTK/P	D002	1
MAIN ASSY	DIODE	KDS160E-RTK/P	D003	1
MAIN ASSY	DIODE	KDS160E-RTK/P	D004	1
MAIN ASSY	DIODE	KDS160E-RTK/P	D005	1
MAIN ASSY	DIODE	BAR43S	D006	1
MAIN ASSY	DIODE	KDS114E-RTK/P	D007	1
MAIN ASSY	DIODE	KDS114E-RTK/P	D008	1
MAIN ASSY	DIODE	KDS114E-RTK/P	D009	1
MAIN ASSY	DIODE	KDS114E-RTK/P	D010	1
MAIN ASSY	DIODE	KDS114E-RTK/P	D011	1
MAIN ASSY	DIODE	KDS114E-RTK/P	D012	1
MAIN ASSY	DIODE	KDS114E-RTK/P	D013	1
MAIN ASSY	DIODE	KDS160E-RTK/P	D014	1
MAIN ASSY	DIODE	KDS160E-RTK/P	D015	1
MAIN ASSY	DIODE	KDS160E-RTK/P	D016	1
MAIN ASSY	DIODE	BAR43S	D017	1
MAIN ASSY	DIODE	BAR43S	D018	1
MAIN ASSY	DIODE	KDS160E-RTK/P	D019	1
MAIN ASSY	DIODE	KDS160E-RTK/P	D020	1
MAIN ASSY	DIODE	KDS114E-RTK/P	D021	1

McKINLEY USA PARTS LIST

ASSY CODE	DESCRIPTION	SPEC	REFNO	QTY
MAIN ASSY	DIODE	BAR43S	D101	1
MAIN ASSY	DIODE	KDS160E-RTK/P	D102	1
MAIN ASSY	DIODE	KDS160E-RTK/P	D141	1
MAIN ASSY	DIODE	KDS160E-RTK/P	D142	1
MAIN ASSY	DIODE	1N728WS	D201	1
MAIN ASSY	DIODE	1N728WS	D202	1
MAIN ASSY	DIODE	KDS160E-RTK/P	D203	1
MAIN ASSY	DIODE	KDS160E-RTK/P	D204	1
MAIN ASSY	DIODE	KDS160E-RTK/P	D205	1
MAIN ASSY	DIODE	KDS160E-RTK/P	D206	1
MAIN ASSY	DIODE	KDS160E-RTK/P	D207	1
MAIN ASSY	DIODE	KDS160E-RTK/P	D208	1
MAIN ASSY	DIODE	KDS160E-RTK/P	D209	1
MAIN ASSY	DIODE	KDS160E-RTK/P	D210	1
MAIN ASSY	DIODE	KDS160E-RTK/P	D211	1
MAIN ASSY	DIODE	KDS160E-RTK/P	D212	1
MAIN ASSY	DIODE	KDS160E-RTK/P	D213	1
MAIN ASSY	DIODE	KDS160E-RTK/P	D214	1
MAIN ASSY	DIODE	KDS160E-RTK/P	D215	1
MAIN ASSY	DIODE	KDS160E-RTK/P	D216	1
MAIN ASSY	DIODE	KDS160E-RTK/P	D217	1
MAIN ASSY	DIODE	KDS160E-RTK/P	D218	1
MAIN ASSY	DIODE	KDS160E-RTK/P	D219	1
MAIN ASSY	DIODE	KDS160E-RTK/P	D220	1
MAIN ASSY	DIODE	KDS160E-RTK/P	D221	1
MAIN ASSY	DIODE	BAR43S	D222	1
MAIN ASSY	DIODE	BAR43S	D223	1
MAIN ASSY	DIODE	KDS160E-RTK/P	D224	1
MAIN ASSY	DIODE:VARICAP	1SV262	D301	1
MAIN ASSY	DIODE:VARICAP	1SV262	D302	1
MAIN ASSY	DIODE:VARICAP	1SV262	D303	1
MAIN ASSY	DIODE	KDS114E-RTK/P	D304	1
MAIN ASSY	DIODE	KDS160E-RTK/P	D305	1
MAIN ASSY	DIODE	KDS114E-RTK/P	D307	1
MAIN ASSY	DIODE	KDS114E-RTK/P	D308	1
MAIN ASSY	DIODE	KDS160E-RTK/P	D309	1
MAIN ASSY	DIODE:VARICAP	1SV262	D311	1
MAIN ASSY	DIODE:VARICAP	1SV262	D312	1
MAIN ASSY	DIODE	KDS160E-RTK/P	D313	1
MAIN ASSY	DIODE	KDS160E-RTK/P	D314	1
MAIN ASSY	DIODE	KDS160E-RTK/P	D315	1
MAIN ASSY	DIODE	KDS160E-RTK/P	D316	1
MAIN ASSY	DIODE	KDS160E-RTK/P	D401	1
MAIN ASSY	DIODE	KDS160E-RTK/P	D402	1
MAIN ASSY	DIODE	SDB30A40	D403	1
MAIN ASSY	DIODE	SDB30A40	D404	1
MAIN ASSY	DIODE	SDB30A40	D405	1
MAIN ASSY	DIODE	NA05QSA065-TE12L	D406	1
MAIN ASSY	DIODE:ZENER	HZK6B	D407	1
MAIN ASSY	DIODE	KDS160E-RTK/P	D408	1

McKINLEY USA PARTS LIST

ASSY CODE	DESCRIPTION	SPEC	REFNO	QTY
MAIN ASSY	DIODE	KDS160E-RTK/P	D409	1
MAIN ASSY	DIODE	KDS160E-RTK/P	D410	1
MAIN ASSY	DIODE	KDS160E-RTK/P	D411	1
MAIN ASSY	DIODE	KDS160E-RTK/P	D412	1
MAIN ASSY	DIODE	SDB30A40	D413	1
MAIN ASSY	DIODE:ZENER	MM3Z10B	D414	1
MAIN ASSY	DIODE:ZENER	MM3Z10B	D415	1
MAIN ASSY	DIODE:ZENER	MM3Z10B	D417	1
MAIN ASSY	DIODE	DA-1412 1N4148-UD(A2)	D418	1
MAIN ASSY	DIODE:ZENER	MM3Z10B	D419	1
MAIN ASSY	DIODE	KDS114E-RTK/P	D501	1
MAIN ASSY	DIODE	BAR43S	D502	1
MAIN ASSY	JACK	JK-1163 9639S-26Y905	J401	1
MAIN ASSY	JACK	JK-1633 A2001WV2-6P	J402	1
MAIN ASSY	JACK	JK-1633 A2001WV2-6P	J403	1
MAIN ASSY	JACK	JK-324 53014-0210 2P	J404	1
MAIN ASSY	JACK:EARPHONE	JK-1598 EJ3A6D3A0BB0-42B	J405	1
MAIN ASSY	JACK	JK-324 53014-0210 2P	J406	1
MAIN ASSY	JACK:EARPHONE	JK-1598 EJ3A6D3A0BB0-42B	J407	1
MAIN ASSY	JACK:MIC	JK-1435 EJM-3-0125N	J408	1
MAIN ASSY	COIL	LB-1131 KS2484F	L001	1
MAIN ASSY	COIL	LB-1153 KS2485NC	L002	1
MAIN ASSY	COIL	LB-1302	L003	1
MAIN ASSY	INDUCTOR:MOLDED CHIP	LZ-226 SGMI1608GR47K T	L004	1
MAIN ASSY	COIL	LB-1120 KS2482AC	L005	1
MAIN ASSY	COIL	LB-1310 KS2562RC-M9	L006	1
MAIN ASSY	INDUCTOR:MOLDED CHIP	LZ-365 SDWL2520C3R3GSTF 3.3UH	L011	1
MAIN ASSY	INDUCTOR:MOLDED CHIP	LZ-365 SDWL2520C3R3GSTF 3.3UH	L012	1
MAIN ASSY	INDUCTOR:MOLDED CHIP	LZ-226 SGMI1608K8R2K T	L013	1
MAIN ASSY	INDUCTOR:MOLDED CHIP	LZ-226 SGMI1608N180K T	L014	1
MAIN ASSY	INDUCTOR:MOLDED CHIP	LZ-226 SGMI1608K100K T	L015	1
MAIN ASSY	INDUCTOR:MOLDED CHIP	LZ-226 SGMI1608K6R8K T	L016	1
MAIN ASSY	INDUCTOR:MOLDED CHIP	LZ-226 SGMI1608K100K T	L017	1
MAIN ASSY	INDUCTOR:WIND CHIP TAPE	LZ-393 SDWL3225F101JTF	L018	1
MAIN ASSY	INDUCTOR:MOLDED CHIP	LZ-365 SDWL2520C1R0GSTF 1UH	L019	1
MAIN ASSY	INDUCTOR:WIND CHIP TAPE	LZ-393 SDWL3225F471JTF	L020	1
MAIN ASSY	INDUCTOR:MOLDED CHIP	LZ-365 SDWL2520C1R0GSTF 1UH	L022	1
MAIN ASSY	COIL	LE-574 SCLIU574	L201	1
MAIN ASSY	COIL	LE-595 AC1975	L202	1
MAIN ASSY	COIL	LE-595 AC1975	L203	1
MAIN ASSY	COIL	LE-595 AC1975	L204	1
MAIN ASSY	COIL	LE-475 SZFDLLE-475	L206	1
MAIN ASSY	COIL	LC-072	L207	1
MAIN ASSY	INDUCTOR:MOLDED CHIP	LZ-365 SDWL2520CR10GSTF 0.1UH	L208	1
MAIN ASSY	INDUCTOR:MOLDED CHIP	LZ-365 SDWL2520CR22GSTF 220NH	L209	1
MAIN ASSY	COIL	LE-0600	L210	1
MAIN ASSY	INDUCTOR:MOLDED CHIP	LZ-365 SDWL2520CR47GSTF 0.47UH	L211	1
MAIN ASSY	INDUCTOR:MOLDED CHIP	LZ-365 SDWL2520CR47GSTF 0.47UH	L212	1
MAIN ASSY	COIL	LB-1283	L213	1
MAIN ASSY	COIL	LB-1283	L214	1

McKINLEY USA PARTS LIST

ASSY CODE	DESCRIPTION	SPEC	REFNO	QTY
MAIN ASSY	COIL	LB-1283	L215	1
MAIN ASSY	LD:COIL	BCALD332-20161025001	L216	1
MAIN ASSY	LD:COIL	BCALD332-20161025001	L217	1
MAIN ASSY	INDUCTOR:MOLDED CHIP	LZ-226 SGMI1608M1R8K T	L218	1
MAIN ASSY	INDUCTOR:MOLDED CHIP	LZ-226 SGMI1608M1R0K T	L219	1
MAIN ASSY	INDUCTOR:MOLDED CHIP	LZ-365 SDWL2520C47NGSTF 47NH	L301	1
MAIN ASSY	INDUCTOR:MOLDED CHIP	LZ-341 SDCL1608C47NJTDF	L302	1
MAIN ASSY	INDUCTOR:MOLDED CHIP	LZ-365 SDWL2520CR18GSTF 0.18UH	L303	1
MAIN ASSY	INDUCTOR:MOLDED CHIP	LZ-365 SDWL2520CR47GSTF 0.47UH	L304	1
MAIN ASSY	COIL	LB-1263 KS2644	L305	1
MAIN ASSY	COIL	LB-1263 KS2644	L306	1
MAIN ASSY	COIL	LB-1263 KS2644	L307	1
MAIN ASSY	COIL	LB-1263 KS2644	L308	1
MAIN ASSY	INDUCTOR:MOLDED CHIP	LZ-226 SGMI1608M2R2K T	L401	1
MAIN ASSY	COIL	LD-370	L402	1
MAIN ASSY	INDUCTOR:MOLDED	LZ-395 SWPA8040S100MT	L403	1
MAIN ASSY	INDUCTOR:MOLDED CHIP	LZ-341 SDCL1608C15NJTDF	L501	1
MAIN ASSY	INDUCTOR:MOLDED CHIP	LZ-0375 SDWL2520C8R2JSTF	L502	1
MAIN ASSY	INDUCTOR:MOLDED CHIP	LZ-341 SDCL1608CR10JTDF	L503	1
MAIN ASSY	INDUCTOR:MOLDED CHIP	LZ-365 SDWL2520C68NGSTF 68NH	L504	1
MAIN ASSY	INDUCTOR:MOLDED CHIP	LZ-365 SDWL2520C68NGSTF 68NH	L505	1
MAIN ASSY	COIL	LF-338 VN-12-08-LF318	L506	1
MAIN ASSY	TRANSISTOR	DB-1169 2SC5065-Y(TE85R_F)	Q001	1
MAIN ASSY	TRANSISTOR	DB-1326 MMBTSC2714Y	Q002	1
MAIN ASSY	TRANSISTOR	DB-1326 MMBTSC2714Y	Q003	1
MAIN ASSY	TRANSISTOR	DB-1326 MMBTSC2714Y	Q004	1
MAIN ASSY	TRANSISTOR	DB-1326 MMBTSC2714Y	Q005	1
MAIN ASSY	TRANSISTOR	DB-1259 KTC3875S-GR-RTK/P TAPE	Q006	1
MAIN ASSY	TRANSISTOR	DB-1326 MMBTSC2714Y	Q007	1
MAIN ASSY	TRANSISTOR	DB-1326 MMBTSC2714Y	Q008	1
MAIN ASSY	TRANSISTOR	DB-1326 MMBTSC2714Y	Q009	1
MAIN ASSY	TRANSISTOR	DB-1326 MMBTSC2714Y	Q010	1
MAIN ASSY	TRANSISTOR	DB-1326 MMBTSC2714Y	Q011	1
MAIN ASSY	TRANSISTOR	DB-1326 MMBTSC2714Y	Q012	1
MAIN ASSY	TRANSISTOR	DB-1326 MMBTSC2714Y	Q013	1
MAIN ASSY	TRANSISTOR	DB-1259 KTC3875S-GR-RTK/P TAPE	Q014	1
MAIN ASSY	TRANSISTOR	DB-1259 KTC3875S-GR-RTK/P TAPE	Q015	1
MAIN ASSY	TRANSISTOR	DB-1259 KTC3875S-GR-RTK/P TAPE	Q016	1
MAIN ASSY	TRANSISTOR	DB-1259 KTC3875S-GR-RTK/P TAPE	Q017	1
MAIN ASSY	TRANSISTOR	DB-1259 KTC3875S-GR-RTK/P TAPE	Q018	1
MAIN ASSY	TRANSISTOR	DB-1326 MMBTSC2714Y	Q019	1
MAIN ASSY	TRANSISTOR	DB-1290 LMBT3906LT1G	Q021	1
MAIN ASSY	TRANSISTOR	DB-1259 KTC3875S-GR-RTK/P TAPE	Q022	1
MAIN ASSY	TRANSISTOR	DB-1259 KTC3875S-GR-RTK/P TAPE	Q023	1
MAIN ASSY	TRANSISTOR	DB-1259 KTC3875S-GR-RTK/P TAPE	Q024	1
MAIN ASSY	TRANSISTOR	DB-1259 KTC3875S-GR-RTK/P TAPE	Q025	1
MAIN ASSY	TRANSISTOR	DB-1259 KTC3875S-GR-RTK/P TAPE	Q101	1
MAIN ASSY	TRANSISTOR	DB-1326 MMBTSC2714Y	Q201	1
MAIN ASSY	TRANSISTOR	DB-1259 KTC3875S-GR-RTK/P TAPE	Q202	1
MAIN ASSY	TRANSISTOR	DB-1296 ST2SD882EU	Q203	1

McKINLEY USA PARTS LIST

ASSY CODE	DESCRIPTION	SPEC	REFNO	QTY
MAIN ASSY	TRANSISTOR	DB-1383 KTB778-O-U/P	Q204	1
MAIN ASSY	TRANSISTOR	DB-1335 ST2SB1132RU	Q205	1
MAIN ASSY	TRANSISTOR	DB-1174 2SC4226-R24 T1	Q208	1
MAIN ASSY	TRANSISTOR	DB-1259 KTC3875S-GR-RTK/P TAPE	Q209	1
MAIN ASSY	TRANSISTOR	DB-1259 KTC3875S-GR-RTK/P TAPE	Q210	1
MAIN ASSY	TRANSISTOR	DB-1259 KTC3875S-GR-RTK/P TAPE	Q211	1
MAIN ASSY	TRANSISTOR	DB-1259 KTC3875S-GR-RTK/P TAPE	Q214	1
MAIN ASSY	TRANSISTOR	DB-1326 MMBTSC2714Y	Q215	1
MAIN ASSY	TRANSISTOR	DB-1290 LMBT3906LT1G	Q217	1
MAIN ASSY	TRANSISTOR	DB-1259 KTC3875S-GR-RTK/P TAPE	Q218	1
MAIN ASSY	TRANSISTOR	DB-1259 KTC3875S-GR-RTK/P TAPE	Q219	1
MAIN ASSY	TRANSISTOR	DB-1259 KTC3875S-GR-RTK/P TAPE	Q220	1
MAIN ASSY	TRANSISTOR	DB-1174 2SC4226-R24 T1	Q301	1
MAIN ASSY	TRANSISTOR	DB-1174 2SC4226-R24 T1	Q302	1
MAIN ASSY	TRANSISTOR	DB-1326 MMBTSC2714Y	Q303	1
MAIN ASSY	TRANSISTOR	DB-1326 MMBTSC2714Y	Q304	1
MAIN ASSY	TRANSISTOR	DB-1326 MMBTSC2714Y	Q305	1
MAIN ASSY	TRANSISTOR	DB-1326 MMBTSC2714Y	Q306	1
MAIN ASSY	TRANSISTOR	DB-1326 MMBTSC2714Y	Q307	1
MAIN ASSY	TRANSISTOR	DB-1343 L2SD1781KRLT1G	Q401	1
MAIN ASSY	TRANSISTOR	DB-1259 KTC3875S-GR-RTK/P TAPE	Q402	1
MAIN ASSY	TRANSISTOR	DB-1343 L2SD1781KRLT1G	Q403	1
MAIN ASSY	TRANSISTOR	DB-1343 L2SD1781KRLT1G	Q404	1
MAIN ASSY	TRANSISTOR	DB-1259 KTC3875S-GR-RTK/P TAPE	Q405	1
MAIN ASSY	TRANSISTOR	DB-1259 KTC3875S-GR-RTK/P TAPE	Q406	1
MAIN ASSY	TRANSISTOR	DB-1259 KTC3875S-GR-RTK/P TAPE	Q407	1
MAIN ASSY	TRANSISTOR	DB-1259 KTC3875S-GR-RTK/P TAPE	Q409	1
MAIN ASSY	TRANSISTOR	DB-1259 KTC3875S-GR-RTK/P TAPE	Q411	1
MAIN ASSY	TRANSISTOR	DB-1259 KTC3875S-GR-RTK/P TAPE	Q412	1
MAIN ASSY	TRANSISTOR	DB-1259 KTC3875S-GR-RTK/P TAPE	Q413	1
MAIN ASSY	TRANSISTOR	DB-1259 KTC3875S-GR-RTK/P TAPE	Q414	1
MAIN ASSY	TRANSISTOR	DB-1296 ST2SD882EU	Q415	1
MAIN ASSY	TRANSISTOR	DB-1259 KTC3875S-GR-RTK/P TAPE	Q416	1
MAIN ASSY	TRANSISTOR	DB-1326 MMBTSC2714Y	Q417	1
MAIN ASSY	TRANSISTOR	DB-1259 KTC3875S-GR-RTK/P TAPE	Q418	1
MAIN ASSY	TRANSISTOR	DB-1259 KTC3875S-GR-RTK/P TAPE	Q419	1
MAIN ASSY	TRANSISTOR	DB-1381 KTA1658-Y-U/PF	Q420	1
MAIN ASSY	TRANSISTOR	DB-1259 KTC3875S-GR-RTK/P TAPE	Q421	1
MAIN ASSY	TRANSISTOR	DB-1259 KTC3875S-GR-RTK/P TAPE	Q422	1
MAIN ASSY	TRANSISTOR	DB-1259 KTC3875S-GR-RTK/P TAPE	Q423	1
MAIN ASSY	TRANSISTOR	DB-1259 KTC3875S-GR-RTK/P TAPE	Q424	1
MAIN ASSY	TRANSISTOR	DB-1259 KTC3875S-GR-RTK/P TAPE	Q425	1
MAIN ASSY	TRANSISTOR	DB-1259 KTC3875S-GR-RTK/P TAPE	Q426	1
MAIN ASSY	TRANSISTOR	DB-1291 L2SA1365FLT1G	Q427	1
MAIN ASSY	TRANSISTOR	DB-1291 L2SA1365FLT1G	Q428	1
MAIN ASSY	TRANSISTOR	DB-1291 L2SA1365FLT1G	Q429	1
MAIN ASSY	TRANSISTOR	DB-1291 L2SA1365FLT1G	Q430	1
MAIN ASSY	TRANSISTOR	DB-1291 L2SA1365FLT1G	Q431	1
MAIN ASSY	TRANSISTOR	DB-1291 L2SA1365FLT1G	Q432	1
MAIN ASSY	TRANSISTOR	DB-1259 KTC3875S-GR-RTK/P TAPE	Q433	1

McKINLEY USA PARTS LIST

ASSY CODE	DESCRIPTION	SPEC	REFNO	QTY
MAIN ASSY	TRANSISTOR	DB-1290 LMBT3906LT1G	Q434	1
MAIN ASSY	TRANSISTOR	DB-1290 LMBT3906LT1G	Q435	1
MAIN ASSY	TRANSISTOR	DB-1259 KTC3875S-GR-RTK/P TAPE	Q436	1
MAIN ASSY	TRANSISTOR	DB-1259 KTC3875S-GR-RTK/P TAPE	Q437	1
MAIN ASSY	TRANSISTOR	DB-1259 KTC3875S-GR-RTK/P TAPE	Q438	1
MAIN ASSY	TRANSISTOR	DB-1259 KTC3875S-GR-RTK/P TAPE	Q439	1
MAIN ASSY	TRANSISTOR	DB-1259 KTC3875S-GR-RTK/P TAPE	Q440	1
MAIN ASSY	TRANSISTOR	DB-1259 KTC3875S-GR-RTK/P TAPE	Q441	1
MAIN ASSY	TRANSISTOR	DB-1296 ST2SD882EU	Q442	1
MAIN ASSY	TRANSISTOR	DB-1259 KTC3875S-GR-RTK/P TAPE	Q443	1
MAIN ASSY	TRANSISTOR	DB-1259 KTC3875S-GR-RTK/P TAPE	Q444	1
MAIN ASSY	TRANSISTOR	DB-1259 KTC3875S-GR-RTK/P TAPE	Q445	1
MAIN ASSY	TRANSISTOR	DB-1259 KTC3875S-GR-RTK/P TAPE	Q446	1
MAIN ASSY	TRANSISTOR	DB-1259 KTC3875S-GR-RTK/P TAPE	Q447	1
MAIN ASSY	TRANSISTOR	DB-1259 KTC3875S-GR-RTK/P TAPE	Q448	1
MAIN ASSY	TRANSISTOR	DB-1259 KTC3875S-GR-RTK/P TAPE	Q449	1
MAIN ASSY	TRANSISTOR	DB-1259 KTC3875S-GR-RTK/P TAPE	Q450	1
MAIN ASSY	TRANSISTOR	DB-1174 2SC4226-R24 T1	Q501	1
MAIN ASSY	TRANSISTOR	DB-1174 2SC4226-R24 T1	Q502	1
MAIN ASSY	TRANSISTOR	DB-1259 KTC3875S-GR-RTK/P TAPE	Q503	1
MAIN ASSY	TRANSISTOR	DB-1259 KTC3875S-GR-RTK/P TAPE	Q504	1
MAIN ASSY	TRANSISTOR	DB-1259 KTC3875S-GR-RTK/P TAPE	Q505	1
MAIN ASSY	R:CARBON FIXED CHIP(1005)	1K 1/16W J 1005 TAPE	R001	1
MAIN ASSY	R:CARBON FIXED CHIP(1005)	4.7K 1/16W J 1005 TAPE	R002	1
MAIN ASSY	R:CARBON FIXED CHIP(1005)	15K 1/16W J 1005 TAPE	R003	1
MAIN ASSY	R:CARBON FIXED CHIP(1005)	470 1/16W J 1005 TAPE	R004	1
MAIN ASSY	R:CARBON FIXED CHIP(1005)	470K 1/16W J 1005 TAPE	R005	1
MAIN ASSY	R:CARBON FIXED CHIP(1005)	33K 1/16W J 1005 TAPE	R006	1
MAIN ASSY	R:CARBON FIXED CHIP(1005)	470K 1/16W J 1005 TAPE	R007	1
MAIN ASSY	R:CARBON FIXED CHIP(1005)	3.3K 1/16W J 1005 TAPE	R008	1
MAIN ASSY	R:CARBON FIXED CHIP(1005)	220 1/16W J 1005 TAPE	R009	1
MAIN ASSY	R:CARBON FIXED CHIP(1005)	33 1/16W J 1005 TAPE	R010	1
MAIN ASSY	R:CARBON FIXED CHIP(1005)	10K 1/16W J 1005 TAPE	R011	1
MAIN ASSY	R:CARBON FIXED CHIP(1005)	220 1/16W J 1005 TAPE	R012	1
MAIN ASSY	R:CARBON FIXED CHIP(1005)	220 1/16W J 1005 TAPE	R013	1
MAIN ASSY	R:CARBON FIXED CHIP(1005)	100 1/16W J 1005 TAPE	R014	1
MAIN ASSY	R:CARBON FIXED CHIP(1005)	220 1/16W J 1005 TAPE	R015	1
MAIN ASSY	R:CARBON FIXED CHIP(1005)	10K 1/16W J 1005 TAPE	R016	1
MAIN ASSY	R:CARBON FIXED CHIP(1005)	2.2K 1/16W J 1005 TAPE	R017	1
MAIN ASSY	R:CARBON FIXED CHIP(1005)	2.2K 1/16W J 1005 TAPE	R018	1
MAIN ASSY	R:CARBON FIXED CHIP(1005)	330 1/16W J 1005 TAPE	R019	1
MAIN ASSY	R:CARBON FIXED CHIP(1005)	10K 1/16W J 1005 TAPE	R020	1
MAIN ASSY	R:CARBON FIXED CHIP(1005)	680 1/16W J 1005 TAPE	R021	1
MAIN ASSY	R:CARBON FIXED CHIP(1005)	680 1/16W J 1005 TAPE	R022	1
MAIN ASSY	R:CARBON FIXED CHIP(1005)	680 1/16W J 1005 TAPE	R023	1
MAIN ASSY	R:CARBON FIXED CHIP(1005)	680 1/16W J 1005 TAPE	R024	1
MAIN ASSY	R:CARBON FIXED CHIP(1005)	680 1/16W J 1005 TAPE	R025	1
MAIN ASSY	R:CARBON FIXED CHIP(1005)	470 1/16W J 1005 TAPE	R026	1
MAIN ASSY	R:CARBON FIXED CHIP(1005)	47K 1/16W J 1005 TAPE	R027	1
MAIN ASSY	R:CARBON FIXED CHIP(1005)	22K 1/16W J 1005 TAPE	R028	1

McKINLEY USA PARTS LIST

ASSY CODE	DESCRIPTION	SPEC	REFNO	QTY
MAIN ASSY	R:CARBON FIXED CHIP(1005)	39K 1/16W J 1005 TAPE	R029	1
MAIN ASSY	R:CARBON FIXED CHIP(1005)	47K 1/16W J 1005 TAPE	R030	1
MAIN ASSY	R:CARBON FIXED CHIP(1005)	22K 1/16W J 1005 TAPE	R031	1
MAIN ASSY	R:CARBON FIXED CHIP(1005)	220 1/16W J 1005 TAPE	R032	1
MAIN ASSY	R:CARBON FIXED CHIP(1005)	470K 1/16W J 1005 TAPE	R033	1
MAIN ASSY	R:CARBON FIXED CHIP(1005)	2.2K 1/16W J 1005 TAPE	R034	1
MAIN ASSY	R:CARBON FIXED CHIP(1005)	4.7K 1/16W J 1005 TAPE	R035	1
MAIN ASSY	R:CARBON FIXED CHIP(1005)	220 1/16W J 1005 TAPE	R036	1
MAIN ASSY	R:CARBON FIXED CHIP(1005)	10K 1/16W J 1005 TAPE	R037	1
MAIN ASSY	R:CARBON FIXED CHIP(1005)	10K 1/16W J 1005 TAPE	R038	1
MAIN ASSY	R:CARBON FIXED CHIP(1005)	1.5K 1/16W J 1005 TAPE	R039	1
MAIN ASSY	R:CARBON FIXED CHIP(1005)	2.2K 1/16W J 1005 TAPE	R040	1
MAIN ASSY	R:CARBON FIXED CHIP(1005)	1M 1/16W J 1005 TAPE	R041	1
MAIN ASSY	R:CARBON FIXED CHIP(1005)	470 1/16W J 1005 TAPE	R042	1
MAIN ASSY	R:CARBON FIXED CHIP(1005)	1K 1/16W J 1005 TAPE	R043	1
MAIN ASSY	R:CARBON FIXED CHIP(1005)	10K 1/16W J 1005 TAPE	R044	1
MAIN ASSY	R:CARBON FIXED CHIP(1005)	10K 1/16W J 1005 TAPE	R045	1
MAIN ASSY	R:CARBON FIXED CHIP(1005)	1K 1/16W J 1005 TAPE	R046	1
MAIN ASSY	R:CARBON FIXED CHIP(1005)	220 1/16W J 1005 TAPE	R047	1
MAIN ASSY	R:CARBON FIXED CHIP(1005)	4.7K 1/16W J 1005 TAPE	R048	1
MAIN ASSY	R:CARBON FIXED CHIP(1005)	680 1/16W J 1005 TAPE	R049	1
MAIN ASSY	R:CARBON FIXED CHIP(1005)	33K 1/16W J 1005 TAPE	R050	1
MAIN ASSY	R:CARBON FIXED CHIP(1005)	10K 1/16W J 1005 TAPE	R051	1
MAIN ASSY	R:CARBON FIXED CHIP(1005)	10K 1/16W J 1005 TAPE	R052	1
MAIN ASSY	R:CARBON FIXED CHIP(1005)	1.5K 1/16W J 1005 TAPE	R053	1
MAIN ASSY	R:CARBON FIXED CHIP(1005)	2.2K 1/16W J 1005 TAPE	R054	1
MAIN ASSY	R:CARBON FIXED CHIP(1005)	33K 1/16W J 1005 TAPE	R055	1
MAIN ASSY	R:CARBON FIXED CHIP(1005)	10K 1/16W J 1005 TAPE	R056	1
MAIN ASSY	R:CARBON FIXED CHIP(1005)	10 1/16W J 1005 TAPE	R057	1
MAIN ASSY	R:CARBON FIXED CHIP(1005)	3.3K 1/16W J 1005 TAPE	R058	1
MAIN ASSY	R:CARBON FIXED CHIP(1005)	4.7K 1/16W J 1005 TAPE	R059	1
MAIN ASSY	R:CARBON FIXED CHIP(1005)	680 1/16W J 1005 TAPE	R060	1
MAIN ASSY	R:CARBON FIXED CHIP(1005)	68 1/16W J 1005 TAPE	R061	1
MAIN ASSY	R:CARBON FIXED CHIP(1005)	470 1/16W J 1005 TAPE	R062	1
MAIN ASSY	R:CARBON FIXED CHIP(1005)	1K 1/16W J 1005 TAPE	R063	1
MAIN ASSY	R:CARBON FIXED CHIP(1005)	220 1/16W J 1005 TAPE	R064	1
MAIN ASSY	R:CARBON FIXED CHIP(1005)	270 1/16W J 1005 TAPE	R065	1
MAIN ASSY	R:CARBON FIXED CHIP(1005)	47K 1/16W J 1005 TAPE	R066	1
MAIN ASSY	R:CARBON FIXED CHIP(1005)	33K 1/16W J 1005 TAPE	R067	1
MAIN ASSY	R:CARBON FIXED CHIP(1005)	1.5M 1/16W J 1005 TAPE	R068	1
MAIN ASSY	R:CARBON FIXED CHIP(1005)	470K 1/16W J 1005 TAPE	R069	1
MAIN ASSY	R:CARBON FIXED CHIP(1005)	220 1/16W J 1005 TAPE	R070	1
MAIN ASSY	R:CARBON FIXED CHIP(1005)	220 1/16W J 1005 TAPE	R071	1
MAIN ASSY	R:CARBON FIXED CHIP(1005)	330 1/16W J 1005 TAPE	R072	1
MAIN ASSY	R:CARBON FIXED CHIP(1005)	4.7K 1/16W J 1005 TAPE	R073	1
MAIN ASSY	R:CARBON FIXED CHIP(1005)	15K 1/16W J 1005 TAPE	R074	1
MAIN ASSY	R:CARBON FIXED CHIP(1005)	1K 1/16W J 1005 TAPE	R075	1
MAIN ASSY	R:CARBON FIXED CHIP(1005)	15 1/16W J 1005 TAPE	R076	1
MAIN ASSY	R:CARBON FIXED CHIP(1005)	10 1/16W J 1005 TAPE	R077	1
MAIN ASSY	R:CARBON FIXED CHIP(1005)	33K 1/16W J 1005 TAPE	R078	1

McKINLEY USA PARTS LIST

ASSY CODE	DESCRIPTION	SPEC	REFNO	QTY
MAIN ASSY	R:CARBON FIXED CHIP(1005)	10K 1/16W J 1005 TAPE	R079	1
MAIN ASSY	R:CARBON FIXED CHIP(1005)	0 1/16W J 1005 TAPE	R080	1
MAIN ASSY	R:CARBON FIXED CHIP(1005)	10K 1/16W J 1005 TAPE	R081	1
MAIN ASSY	R:CARBON FIXED CHIP(1005)	10K 1/16W J 1005 TAPE	R082	1
MAIN ASSY	R:CARBON FIXED CHIP(1005)	10K 1/16W J 1005 TAPE	R083	1
MAIN ASSY	R:CARBON FIXED CHIP(1005)	100K 1/16W J 1005 TAPE	R084	1
MAIN ASSY	R:CARBON FIXED CHIP(1005)	10K 1/16W J 1005 TAPE	R085	1
MAIN ASSY	R:CARBON FIXED CHIP(1005)	0 1/16W J 1005 TAPE	R086	1
MAIN ASSY	R:CARBON FIXED CHIP(1005)	220K 1/16W J 1005 TAPE	R087	1
MAIN ASSY	R:CARBON FIXED CHIP(1005)	0 1/16W J 1005 TAPE	R088	1
MAIN ASSY	R:CARBON FIXED CHIP(1005)	2.2M 1/16W J 1005 TAPE	R089	1
MAIN ASSY	R:CARBON FIXED CHIP(1005)	1.5K 1/16W J 1005 TAPE	R090	1
MAIN ASSY	R:CARBON FIXED CHIP(1005)	1K 1/16W J 1005 TAPE	R091	1
MAIN ASSY	R:CARBON FIXED CHIP(1005)	10K 1/16W J 1005 TAPE	R092	1
MAIN ASSY	R:CARBON FIXED CHIP(1005)	2.2K 1/16W J 1005 TAPE	R093	1
MAIN ASSY	R:CARBON FIXED CHIP(1005)	6.8K 1/16W J 1005 TAPE	R094	1
MAIN ASSY	R:CARBON FIXED CHIP(1005)	470 1/16W J 1005 TAPE	R095	1
MAIN ASSY	R:CARBON FIXED CHIP(1005)	100K 1/16W J 1005 TAPE	R096	1
MAIN ASSY	R:CARBON FIXED CHIP(1005)	100K 1/16W J 1005 TAPE	R097	1
MAIN ASSY	R:CARBON FIXED CHIP(1005)	4.7K 1/16W J 1005 TAPE	R098	1
MAIN ASSY	R:CARBON FIXED CHIP(1005)	4.7K 1/16W J 1005 TAPE	R099	1
MAIN ASSY	R:CARBON FIXED CHIP(1005)	10K 1/16W J 1005 TAPE	R100	1
MAIN ASSY	R:CARBON FIXED CHIP(1005)	33 1/16W J 1005 TAPE	R101	1
MAIN ASSY	R:CARBON FIXED CHIP(1005)	22K 1/16W J 1005 TAPE	R102	1
MAIN ASSY	R:CARBON FIXED CHIP(1005)	220 1/16W J 1005 TAPE	R103	1
MAIN ASSY	R:CARBON FIXED CHIP(1005)	10K 1/16W J 1005 TAPE	R104	1
MAIN ASSY	R:CARBON FIXED CHIP(1005)	68K 1/16W J 1005 TAPE	R105	1
MAIN ASSY	R:CARBON FIXED CHIP(1005)	68K 1/16W J 1005 TAPE	R106	1
MAIN ASSY	R:CARBON FIXED CHIP(1005)	100K 1/16W J 1005 TAPE	R107	1
MAIN ASSY	R:CARBON FIXED CHIP(1005)	3.3K 1/16W J 1005 TAPE	R108	1
MAIN ASSY	R:CARBON FIXED CHIP(1005)	100K 1/16W J 1005 TAPE	R109	1
MAIN ASSY	R:CARBON FIXED CHIP(1005)	100K 1/16W J 1005 TAPE	R110	1
MAIN ASSY	R:CARBON FIXED CHIP(1005)	33K 1/16W J 1005 TAPE	R111	1
MAIN ASSY	R:CARBON FIXED CHIP(1005)	470K 1/16W J 1005 TAPE	R112	1
MAIN ASSY	R:CARBON FIXED CHIP(1005)	3.3K 1/16W J 1005 TAPE	R113	1
MAIN ASSY	R:CARBON FIXED CHIP(1005)	33K 1/16W J 1005 TAPE	R114	1
MAIN ASSY	R:CARBON FIXED CHIP(1005)	3.3K 1/16W J 1005 TAPE	R115	1
MAIN ASSY	R:CARBON FIXED CHIP(1005)	22 1/16W J 1005 TAPE	R116	1
MAIN ASSY	R:CARBON FIXED CHIP(1005)	1K 1/16W J 1005 TAPE	R117	1
MAIN ASSY	R:CARBON FIXED CHIP(1005)	120K 1/16W J 1005 TAPE	R118	1
MAIN ASSY	R:CARBON FIXED CHIP(1005)	4.7K 1/16W J 1005 TAPE	R119	1
MAIN ASSY	R:CARBON FIXED CHIP(1005)	1K 1/16W J 1005 TAPE	R120	1
MAIN ASSY	R:CARBON FIXED CHIP(1005)	2.2K 1/16W J 1005 TAPE	R121	1
MAIN ASSY	R:CARBON FIXED CHIP(1005)	10K 1/16W J 1005 TAPE	R122	1
MAIN ASSY	R:CARBON FIXED CHIP(1005)	100 1/16W J 1005 TAPE	R123	1
MAIN ASSY	R:CARBON FIXED CHIP(1005)	4.7K 1/16W J 1005 TAPE	R125	1
MAIN ASSY	R:CARBON FIXED CHIP(1005)	47K 1/16W J 1005 TAPE	R126	1
MAIN ASSY	R:CARBON FIXED CHIP(1005)	1M 1/16W J 1005 TAPE	R127	1
MAIN ASSY	R:CARBON FIXED CHIP(1005)	15K 1/16W J 1005 TAPE	R128	1
MAIN ASSY	R:CARBON FIXED CHIP(1005)	4.7K 1/16W J 1005 TAPE	R129	1

McKINLEY USA PARTS LIST

ASSY CODE	DESCRIPTION	SPEC	REFNO	QTY
MAIN ASSY	R:CARBON FIXED CHIP(1005)	1M 1/16W J 1005 TAPE	R130	1
MAIN ASSY	R:CARBON FIXED CHIP(1005)	3.3K 1/16W J 1005 TAPE	R131	1
MAIN ASSY	R:CARBON FIXED CHIP(1005)	10K 1/16W J 1005 TAPE	R132	1
MAIN ASSY	R:CARBON FIXED CHIP(1005)	47K 1/16W J 1005 TAPE	R133	1
MAIN ASSY	R:CARBON FIXED CHIP(1005)	10K 1/16W J 1005 TAPE	R134	1
MAIN ASSY	R:CARBON FIXED CHIP(1005)	47K 1/16W J 1005 TAPE	R135	1
MAIN ASSY	R:CARBON FIXED CHIP(1005)	10K 1/16W J 1005 TAPE	R136	1
MAIN ASSY	R:CARBON FIXED CHIP(1005)	100K 1/16W J 1005 TAPE	R137	1
MAIN ASSY	R:CARBON FIXED CHIP(1005)	100K 1/16W J 1005 TAPE	R138	1
MAIN ASSY	R:CARBON FIXED CHIP(1005)	4.7K 1/16W J 1005 TAPE	R140	1
MAIN ASSY	R:CARBON FIXED CHIP(1005)	150K 1/16W J 1005 TAPE	R141	1
MAIN ASSY	R:CARBON FIXED CHIP(1005)	150K 1/16W J 1005 TAPE	R142	1
MAIN ASSY	R:CARBON FIXED CHIP(1005)	470K 1/16W J 1005 TAPE	R143	1
MAIN ASSY	R:CARBON FIXED CHIP(1005)	220K 1/16W J 1005 TAPE	R144	1
MAIN ASSY	R:CARBON FIXED CHIP(1005)	1.5M 1/16W J 1005 TAPE	R145	1
MAIN ASSY	R:CARBON FIXED CHIP(1005)	47K 1/16W J 1005 TAPE	R146	1
MAIN ASSY	R:CARBON FIXED CHIP(1005)	120 1/16W J 1005 TAPE	R201	1
MAIN ASSY	R:CARBON FIXED CHIP(1005)	120 1/16W J 1005 TAPE	R202	1
MAIN ASSY	R:CARBON FIXED CHIP(3216)	2.2K 1/8W J TAPE	R203	1
MAIN ASSY	R:CARBON FIXED CHIP(1005)	220K 1/16W J 1005 TAPE	R204	1
MAIN ASSY	R:CARBON FIXED CHIP(1005)	220K 1/16W J 1005 TAPE	R205	1
MAIN ASSY	R:CARBON FIXED CHIP(1005)	47K 1/16W J 1005 TAPE	R206	1
MAIN ASSY	R:CARBON FIXED CHIP(1005)	47K 1/16W J 1005 TAPE	R207	1
MAIN ASSY	R:CARBON FIXED CHIP(1005)	470 1/16W J 1005 TAPE	R208	1
MAIN ASSY	R:CARBON FIXED CHIP(1005)	68K 1/16W J 1005 TAPE	R209	1
MAIN ASSY	R:CARBON FIXED CHIP(1005)	68K 1/16W J 1005 TAPE	R210	1
MAIN ASSY	R:CARBON FIXED CHIP(1005)	3.3K 1/16W J 1005 TAPE	R211	1
MAIN ASSY	R:CARBON FIXED CHIP(1005)	220 1/16W J 1005 TAPE	R212	1
MAIN ASSY	R:CARBON FIXED CHIP(1005)	220 1/16W J 1005 TAPE	R213	1
MAIN ASSY	R:CARBON FIXED CHIP(1005)	22K 1/16W J 1005 TAPE	R214	1
MAIN ASSY	R:CARBON FIXED CHIP(1005)	47K 1/16W J 1005 TAPE	R215	1
MAIN ASSY	R:CARBON FIXED CHIP(1005)	2.2K 1/16W J 1005 TAPE	R216	1
MAIN ASSY	R:CARBON FIXED CHIP(1005)	15K 1/16W J 1005 TAPE	R217	1
MAIN ASSY	R:CARBON FIXED CHIP(1005)	1K 1/16W J 1005 TAPE	R218	1
MAIN ASSY	R:CARBON FIXED CHIP(1005)	33K 1/16W J 1005 TAPE	R219	1
MAIN ASSY	RESISTROR:METAL OXIDE BULK	100 2WS J	R220	1
MAIN ASSY	R:CARBON FIXED CHIP(1005)	2.2K 1/16W J 1005 TAPE	R221	1
MAIN ASSY	R:CARBON FIXED CHIP(1005)	1K 1/16W J 1005 TAPE	R222	1
MAIN ASSY	R:CARBON FIXED CHIP(1005)	4.7K 1/16W J 1005 TAPE	R223	1
MAIN ASSY	R:CARBON FIXED CHIP(1005)	22K 1/16W J 1005 TAPE	R224	1
MAIN ASSY	R:CARBON FIXED CHIP(1005)	100 1/16W J 1005 TAPE	R225	1
MAIN ASSY	R:CARBON FIXED CHIP(1005)	4.7K 1/16W J 1005 TAPE	R227	1
MAIN ASSY	R:CARBON FIXED CHIP(1005)	1K 1/16W J 1005 TAPE	R228	1
MAIN ASSY	R:CARBON FIXED CHIP(1005)	330 1/16W J 1005 TAPE	R229	1
MAIN ASSY	R:CARBON FIXED CHIP(1005)	680 1/16W J 1005 TAPE	R230	1
MAIN ASSY	R:CARBON FIXED CHIP(1005)	2.2K 1/16W J 1005 TAPE	R231	1
MAIN ASSY	R:CARBON FIXED CHIP(1005)	2.2K 1/16W J 1005 TAPE	R232	1
MAIN ASSY	R:CARBON FIXED CHIP(1005)	22 1/16W J 1005 TAPE	R233	1
MAIN ASSY	R:CARBON FIXED CHIP(1005)	4.7K 1/16W J 1005 TAPE	R234	1
MAIN ASSY	R:CARBON FIXED CHIP(1005)	1.5K 1/16W J 1005 TAPE	R235	1

McKINLEY USA PARTS LIST

ASSY CODE	DESCRIPTION	SPEC	REFNO	QTY
MAIN ASSY	R:CARBON FIXED CHIP(1005)	470 1/16W J 1005 TAPE	R236	1
MAIN ASSY	R:CARBON FIXED CHIP(1005)	220 1/16W J 1005 TAPE	R237	1
MAIN ASSY	R:CARBON FIXED CHIP(1005)	2.2K 1/16W J 1005 TAPE	R238	1
MAIN ASSY	R:CARBON FIXED CHIP(1005)	6.8K 1/16W J 1005 TAPE	R239	1
MAIN ASSY	R:CARBON FIXED CHIP(1005)	22 1/16W J 1005 TAPE	R240	1
MAIN ASSY	R:CARBON FIXED CHIP(1005)	220 1/16W J 1005 TAPE	R241	1
MAIN ASSY	R:CARBON FIXED CHIP(1005)	3.3K 1/16W J 1005 TAPE	R242	1
MAIN ASSY	R:CARBON FIXED CHIP(1005)	3.3K 1/16W J 1005 TAPE	R243	1
MAIN ASSY	R:CARBON FIXED CHIP(1005)	220 1/16W J 1005 TAPE	R244	1
MAIN ASSY	R:CARBON FIXED CHIP(1005)	0 1/16W J 1005 TAPE	R245	1
MAIN ASSY	R:CARBON FIXED CHIP(1005)	0 1/16W J 1005 TAPE	R246	1
MAIN ASSY	R:CARBON FIXED CHIP(1005)	15K 1/16W J 1005 TAPE	R247	1
MAIN ASSY	R:CARBON FIXED CHIP(1005)	1K 1/16W J 1005 TAPE	R248	1
MAIN ASSY	R:CARBON FIXED CHIP(1005)	1K 1/16W J 1005 TAPE	R249	1
MAIN ASSY	R:CARBON FIXED CHIP(1005)	1.5K 1/16W J 1005 TAPE	R250	1
MAIN ASSY	R:CARBON FIXED CHIP(1005)	47K 1/16W J 1005 TAPE	R251	1
MAIN ASSY	R:CARBON FIXED CHIP(1005)	6.8K 1/16W J 1005 TAPE	R252	1
MAIN ASSY	R:CARBON FIXED CHIP(1005)	1M 1/16W J 1005 TAPE	R253	1
MAIN ASSY	R:CARBON FIXED CHIP(1005)	6.8K 1/16W J 1005 TAPE	R254	1
MAIN ASSY	R:CARBON FIXED CHIP(1005)	10K 1/16W J 1005 TAPE	R255	1
MAIN ASSY	R:CARBON FIXED CHIP(1005)	3.3K 1/16W J 1005 TAPE	R256	1
MAIN ASSY	R:CARBON FIXED CHIP(1005)	470 1/16W J 1005 TAPE	R257	1
MAIN ASSY	R:CARBON FIXED CHIP(1005)	2.2K 1/16W J 1005 TAPE	R258	1
MAIN ASSY	R:CARBON FIXED CHIP(1005)	3.3K 1/16W J 1005 TAPE	R259	1
MAIN ASSY	R:CARBON FIXED CHIP(1005)	220K 1/16W J 1005 TAPE	R260	1
MAIN ASSY	R:CARBON FIXED CHIP(1005)	220K 1/16W J 1005 TAPE	R261	1
MAIN ASSY	R:CARBON FIXED CHIP(1005)	10K 1/16W J 1005 TAPE	R262	1
MAIN ASSY	R:CARBON FIXED CHIP(1005)	1.5K 1/16W J 1005 TAPE	R263	1
MAIN ASSY	R:CARBON FIXED CHIP(1005)	220K 1/16W J 1005 TAPE	R264	1
MAIN ASSY	R:CARBON FIXED CHIP(1005)	220K 1/16W J 1005 TAPE	R265	1
MAIN ASSY	R:CARBON FIXED CHIP(1005)	470K 1/16W J 1005 TAPE	R266	1
MAIN ASSY	R:CARBON FIXED CHIP(1005)	1K 1/16W J 1005 TAPE	R267	1
MAIN ASSY	R:CARBON FIXED CHIP(1005)	100K 1/16W J 1005 TAPE	R268	1
MAIN ASSY	R:CARBON FIXED CHIP(1005)	470 1/16W J 1005 TAPE	R269	1
MAIN ASSY	R:CARBON FIXED CHIP(1005)	0 1/16W J 1005 TAPE	R270	1
MAIN ASSY	R:CARBON FIXED CHIP(1005)	47K 1/16W J 1005 TAPE	R271	1
MAIN ASSY	R:CARBON FIXED CHIP(1005)	4.7K 1/16W J 1005 TAPE	R272	1
MAIN ASSY	R:CARBON FIXED CHIP(1005)	10K 1/16W J 1005 TAPE	R273	1
MAIN ASSY	R:CARBON FIXED CHIP(1005)	4.7K 1/16W J 1005 TAPE	R274	1
MAIN ASSY	R:CARBON FIXED CHIP(1005)	0 1/16W J 1005 TAPE	R275	1
MAIN ASSY	R:CARBON FIXED CHIP(1005)	680K 1/16W J 1005 TAPE	R276	1
MAIN ASSY	R:CARBON FIXED CHIP(1005)	10K 1/16W J 1005 TAPE	R277	1
MAIN ASSY	R:CARBON FIXED CHIP(1005)	22K 1/16W J 1005 TAPE	R278	1
MAIN ASSY	R:CARBON FIXED CHIP(1005)	470 1/16W J 1005 TAPE	R280	1
MAIN ASSY	R:CARBON FIXED CHIP(1005)	2.2K 1/16W J 1005 TAPE	R281	1
MAIN ASSY	R:CARBON FIXED CHIP(1005)	100K 1/16W J 1005 TAPE	R282	1
MAIN ASSY	R:CARBON FIXED CHIP(1005)	100K 1/16W J 1005 TAPE	R283	1
MAIN ASSY	R:CARBON FIXED CHIP(1005)	100K 1/16W J 1005 TAPE	R284	1
MAIN ASSY	R:CARBON FIXED CHIP(1005)	100K 1/16W J 1005 TAPE	R285	1
MAIN ASSY	R:CARBON FIXED CHIP(1005)	100K 1/16W J 1005 TAPE	R286	1

McKINLEY USA PARTS LIST

ASSY CODE	DESCRIPTION	SPEC	REFNO	QTY
MAIN ASSY	R:CARBON FIXED CHIP(1005)	100K 1/16W J 1005 TAPE	R287	1
MAIN ASSY	R:CARBON FIXED CHIP(1005)	47K 1/16W J 1005 TAPE	R288	1
MAIN ASSY	R:CARBON FIXED CHIP(1005)	220 1/16W J 1005 TAPE	R289	1
MAIN ASSY	R:CARBON FIXED CHIP(1005)	220 1/16W J 1005 TAPE	R290	1
MAIN ASSY	R:CARBON FIXED CHIP(1005)	2.2K 1/16W J 1005 TAPE	R291	1
MAIN ASSY	R:CARBON FIXED CHIP(1005)	10K 1/16W J 1005 TAPE	R292	1
MAIN ASSY	R:CARBON FIXED CHIP(1005)	470 1/16W J 1005 TAPE	R301	1
MAIN ASSY	R:CARBON FIXED CHIP(1005)	470 1/16W J 1005 TAPE	R302	1
MAIN ASSY	R:CARBON FIXED CHIP(1005)	22K 1/16W J 1005 TAPE	R303	1
MAIN ASSY	R:CARBON FIXED CHIP(1005)	4.7K 1/16W J 1005 TAPE	R304	1
MAIN ASSY	R:CARBON FIXED CHIP(1005)	10K 1/16W J 1005 TAPE	R305	1
MAIN ASSY	R:CARBON FIXED CHIP(1005)	3.3K 1/16W J 1005 TAPE	R306	1
MAIN ASSY	R:CARBON FIXED CHIP(1005)	3.3K 1/16W J 1005 TAPE	R307	1
MAIN ASSY	R:CARBON FIXED CHIP(1005)	470 1/16W J 1005 TAPE	R308	1
MAIN ASSY	R:CARBON FIXED CHIP(1005)	330 1/16W J 1005 TAPE	R309	1
MAIN ASSY	R:CARBON FIXED CHIP(1005)	10K 1/16W J 1005 TAPE	R310	1
MAIN ASSY	R:CARBON FIXED CHIP(1005)	15K 1/16W J 1005 TAPE	R311	1
MAIN ASSY	R:CARBON FIXED CHIP(1005)	680 1/16W J 1005 TAPE	R312	1
MAIN ASSY	R:CARBON FIXED CHIP(1005)	47 1/16W J 1005 TAPE	R313	1
MAIN ASSY	R:CARBON FIXED CHIP(1005)	2.2K 1/16W J 1005 TAPE	R314	1
MAIN ASSY	R:CARBON FIXED CHIP(1005)	47 1/16W J 1005 TAPE	R315	1
MAIN ASSY	R:CARBON FIXED CHIP(1005)	47 1/16W J 1005 TAPE	R316	1
MAIN ASSY	R:CARBON FIXED CHIP(1005)	47K 1/16W J 1005 TAPE	R317	1
MAIN ASSY	R:CARBON FIXED CHIP(1005)	220 1/16W J 1005 TAPE	R318	1
MAIN ASSY	R:CARBON FIXED CHIP(1005)	100K 1/16W J 1005 TAPE	R319	1
MAIN ASSY	R:CARBON FIXED CHIP(1005)	33K 1/16W J 1005 TAPE	R320	1
MAIN ASSY	R:CARBON FIXED CHIP(1005)	680 1/16W J 1005 TAPE	R321	1
MAIN ASSY	R:CARBON FIXED CHIP(1005)	100 1/16W J 1005 TAPE	R322	1
MAIN ASSY	R:CARBON FIXED CHIP(1005)	680 1/16W J 1005 TAPE	R323	1
MAIN ASSY	R:CARBON FIXED CHIP(1005)	4.7K 1/16W J 1005 TAPE	R324	1
MAIN ASSY	R:CARBON FIXED CHIP(1005)	10K 1/16W J 1005 TAPE	R325	1
MAIN ASSY	R:CARBON FIXED CHIP(1005)	1M 1/16W J 1005 TAPE	R326	1
MAIN ASSY	R:CARBON FIXED CHIP(1005)	2.2K 1/16W J 1005 TAPE	R327	1
MAIN ASSY	R:CARBON FIXED CHIP(1005)	10K 1/16W J 1005 TAPE	R328	1
MAIN ASSY	R:CARBON FIXED CHIP(1005)	1K 1/16W J 1005 TAPE	R329	1
MAIN ASSY	R:CARBON AXIAL LEAD (26)	4.7K 1/6W J TAPE	R330	1
MAIN ASSY	R:CARBON FIXED CHIP(1005)	100K 1/16W J 1005 TAPE	R331	1
MAIN ASSY	R:CARBON FIXED CHIP(1005)	680 1/16W J 1005 TAPE	R332	1
MAIN ASSY	R:CARBON FIXED CHIP(1005)	56K 1/16W J 1005 TAPE	R333	1
MAIN ASSY	R:CARBON FIXED CHIP(1005)	2.2K 1/16W J 1005 TAPE	R334	1
MAIN ASSY	R:CARBON FIXED CHIP(1005)	4.7K 1/16W J 1005 TAPE	R335	1
MAIN ASSY	R:CARBON FIXED CHIP(1005)	220K 1/16W J 1005 TAPE	R336	1
MAIN ASSY	R:CARBON FIXED CHIP(1005)	4.7K 1/16W J 1005 TAPE	R337	1
MAIN ASSY	R:CARBON FIXED CHIP(1005)	47K 1/16W J 1005 TAPE	R338	1
MAIN ASSY	R:CARBON FIXED CHIP(1005)	1K 1/16W J 1005 TAPE	R339	1
MAIN ASSY	R:CARBON FIXED CHIP(1005)	22K 1/16W J 1005 TAPE	R340	1
MAIN ASSY	R:CARBON FIXED CHIP(1005)	100 1/16W J 1005 TAPE	R341	1
MAIN ASSY	R:CARBON FIXED CHIP(1005)	1K 1/16W J 1005 TAPE	R342	1
MAIN ASSY	R:CARBON FIXED CHIP(1005)	4.7K 1/16W J 1005 TAPE	R343	1
MAIN ASSY	R:CARBON AXIAL LEAD (26)	1 1/6W J TAPE	R344	1

McKINLEY USA PARTS LIST

ASSY CODE	DESCRIPTION	SPEC	REFNO	QTY
MAIN ASSY	R:CARBON FIXED CHIP(1005)	2.2K 1/16W J 1005 TAPE	R345	1
MAIN ASSY	R:CARBON FIXED CHIP(1005)	10K 1/16W J 1005 TAPE	R346	1
MAIN ASSY	R:CARBON FIXED CHIP(1005)	2.2K 1/16W J 1005 TAPE	R347	1
MAIN ASSY	R:CARBON FIXED CHIP(1005)	4.7K 1/16W J 1005 TAPE	R348	1
MAIN ASSY	R:CARBON FIXED CHIP(1005)	0 1/16W J 1005 TAPE	R350	1
MAIN ASSY	R:CARBON FIXED CHIP(1005)	2.2K 1/16W J 1005 TAPE	R351	1
MAIN ASSY	R:CARBON FIXED CHIP(1005)	12K 1/16W J 1005 TAPE	R352	1
MAIN ASSY	R:CARBON FIXED CHIP(1005)	4.7K 1/16W J 1005 TAPE	R353	1
MAIN ASSY	R:CARBON FIXED CHIP(1005)	330 1/16W J 1005 TAPE	R354	1
MAIN ASSY	R:CARBON FIXED CHIP(1005)	330 1/16W J 1005 TAPE	R355	1
MAIN ASSY	R:CARBON FIXED CHIP(1005)	100K 1/16W J 1005 TAPE	R356	1
MAIN ASSY	R:CARBON FIXED CHIP(1005)	12K 1/16W J 1005 TAPE	R357	1
MAIN ASSY	R:CARBON FIXED CHIP(1005)	1K 1/16W J 1005 TAPE	R358	1
MAIN ASSY	R:CARBON FIXED CHIP(1005)	4.7K 1/16W J 1005 TAPE	R359	1
MAIN ASSY	R:CARBON FIXED CHIP(1005)	1K 1/16W J 1005 TAPE	R360	1
MAIN ASSY	R:CARBON FIXED CHIP(1005)	10K 1/16W J 1005 TAPE	R361	1
MAIN ASSY	R:CARBON FIXED CHIP(1005)	6.8K 1/16W J 1005 TAPE	R362	1
MAIN ASSY	R:CARBON FIXED CHIP(1005)	0 1/16W J 1005 TAPE	R363	1
MAIN ASSY	R:CARBON FIXED CHIP(1005)	68K 1/16W J 1005 TAPE	R401	1
MAIN ASSY	R:CARBON FIXED CHIP(1005)	33K 1/16W J 1005 TAPE	R402	1
MAIN ASSY	R:CARBON FIXED CHIP(1005)	47K 1/16W J 1005 TAPE	R403	1
MAIN ASSY	R:CARBON FIXED CHIP(1005)	390K 1/16W J 1005 TAPE	R404	1
MAIN ASSY	R:CARBON FIXED CHIP(1005)	1.5K 1/16W J 1005 TAPE	R405	1
MAIN ASSY	R:CARBON FIXED CHIP(1005)	330 1/16W J 1005 TAPE	R406	1
MAIN ASSY	R:CARBON FIXED CHIP(1005)	10K 1/16W J 1005 TAPE	R407	1
MAIN ASSY	R:CARBON FIXED CHIP(1005)	47K 1/16W J 1005 TAPE	R408	1
MAIN ASSY	R:CARBON FIXED CHIP(1005)	4.7K 1/16W J 1005 TAPE	R409	1
MAIN ASSY	R:CARBON FIXED CHIP(1005)	10K 1/16W J 1005 TAPE	R410	1
MAIN ASSY	R:CARBON FIXED CHIP(1005)	10K 1/16W J 1005 TAPE	R411	1
MAIN ASSY	R:CARBON FIXED CHIP(1005)	10K 1/16W J 1005 TAPE	R412	1
MAIN ASSY	R:CARBON FIXED CHIP(1005)	3.3K 1/16W J 1005 TAPE	R413	1
MAIN ASSY	R:CARBON FIXED CHIP(1005)	3.3K 1/16W J 1005 TAPE	R414	1
MAIN ASSY	R:CARBON FIXED CHIP(1005)	10K 1/16W J 1005 TAPE	R415	1
MAIN ASSY	R:CARBON FIXED CHIP(1005)	1.5K 1/16W J 1005 TAPE	R416	1
MAIN ASSY	R:CARBON FIXED CHIP(1005)	2.2 1/16W J 1005 TAPE	R417	1
MAIN ASSY	R:CARBON FIXED CHIP(1005)	68K 1/16W J 1005 TAPE	R418	1
MAIN ASSY	R:CARBON FIXED CHIP(1005)	1K 1/16W J 1005 TAPE	R419	1
MAIN ASSY	R:CARBON FIXED CHIP(1005)	47K 1/16W J 1005 TAPE	R420	1
MAIN ASSY	R:CARBON FIXED CHIP(1005)	33K 1/16W J 1005 TAPE	R421	1
MAIN ASSY	R:CARBON FIXED CHIP(1005)	47K 1/16W J 1005 TAPE	R422	1
MAIN ASSY	R:CARBON FIXED CHIP(1005)	15 1/16W J 1005 TAPE	R423	1
MAIN ASSY	R:CARBON FIXED CHIP(1005)	47K 1/16W J 1005 TAPE	R424	1
MAIN ASSY	R:CARBON FIXED CHIP(1005)	100K 1/16W J 1005 TAPE	R425	1
MAIN ASSY	R:CARBON FIXED CHIP(1005)	10K 1/16W J 1005 TAPE	R426	1
MAIN ASSY	R:CARBON FIXED CHIP(1005)	22K 1/16W J 1005 TAPE	R429	1
MAIN ASSY	R:CARBON FIXED CHIP(1005)	3.3K 1/16W J 1005 TAPE	R430	1
MAIN ASSY	R:CARBON FIXED CHIP(1005)	1K 1/16W J 1005 TAPE	R432	1
MAIN ASSY	R:CARBON FIXED CHIP(1005)	33K 1/16W J 1005 TAPE	R433	1
MAIN ASSY	R:CARBON FIXED CHIP(1005)	15K 1/16W J 1005 TAPE	R434	1
MAIN ASSY	R:CARBON FIXED CHIP(1005)	33K 1/16W J 1005 TAPE	R435	1

McKINLEY USA PARTS LIST

ASSY CODE	DESCRIPTION	SPEC	REFNO	QTY
MAIN ASSY	R:CARBON FIXED CHIP(1005)	1K 1/16W J 1005 TAPE	R436	1
MAIN ASSY	R:CARBON FIXED CHIP(6432)	2.2 1W J TAPE	R437	1
MAIN ASSY	R:CARBON FIXED CHIP(1005)	1K 1/16W J 1005 TAPE	R438	1
MAIN ASSY	R:CARBON FIXED CHIP(1005)	1K 1/16W J 1005 TAPE	R439	1
MAIN ASSY	R:CARBON FIXED CHIP(1005)	1K 1/16W J 1005 TAPE	R440	1
MAIN ASSY	R:CARBON FIXED CHIP(6432)	2.2 1W J TAPE	R441	1
MAIN ASSY	R:CARBON FIXED CHIP(1005)	3.3K 1/16W J 1005 TAPE	R442	1
MAIN ASSY	R:CARBON FIXED CHIP(1005)	3.3K 1/16W J 1005 TAPE	R443	1
MAIN ASSY	R:CARBON FIXED CHIP(1005)	10K 1/16W J 1005 TAPE	R444	1
MAIN ASSY	R:CARBON FIXED CHIP(1005)	10K 1/16W J 1005 TAPE	R445	1
MAIN ASSY	R:CARBON FIXED CHIP(1005)	10K 1/16W J 1005 TAPE	R446	1
MAIN ASSY	R:CARBON FIXED CHIP(1005)	10K 1/16W J 1005 TAPE	R447	1
MAIN ASSY	R:CARBON FIXED CHIP(1005)	10K 1/16W J 1005 TAPE	R448	1
MAIN ASSY	R:CARBON FIXED CHIP(1005)	4.7K 1/16W J 1005 TAPE	R449	1
MAIN ASSY	R:CARBON FIXED CHIP(1005)	100K 1/16W J 1005 TAPE	R458	1
MAIN ASSY	R:CARBON FIXED CHIP(1005)	3.3K 1/16W J 1005 TAPE	R459	1
MAIN ASSY	R:CARBON FIXED CHIP(1005)	3.3K 1/16W J 1005 TAPE	R460	1
MAIN ASSY	R:CARBON FIXED CHIP(1005)	3.3K 1/16W J 1005 TAPE	R461	1
MAIN ASSY	R:CARBON FIXED CHIP(1005)	22K 1/16W J 1005 TAPE	R462	1
MAIN ASSY	R:CARBON FIXED CHIP(1005)	47 1/16W J 1005 TAPE	R463	1
MAIN ASSY	R:CARBON FIXED CHIP(1005)	220 1/16W J 1005 TAPE	R464	1
MAIN ASSY	R:CARBON FIXED CHIP(1005)	330 1/16W J 1005 TAPE	R465	1
MAIN ASSY	R:CARBON FIXED CHIP(1005)	560 1/16W J 1005 TAPE	R466	1
MAIN ASSY	R:CARBON FIXED CHIP(1005)	1K 1/16W J 1005 TAPE	R467	1
MAIN ASSY	R:CARBON FIXED CHIP(1005)	2.2K 1/16W J 1005 TAPE	R468	1
MAIN ASSY	R:CARBON FIXED CHIP(1005)	3.3K 1/16W J 1005 TAPE	R469	1
MAIN ASSY	R:CARBON FIXED CHIP(1005)	3.3K 1/16W J 1005 TAPE	R470	1
MAIN ASSY	R:CARBON FIXED CHIP(1005)	3.3K 1/16W J 1005 TAPE	R471	1
MAIN ASSY	R:CARBON FIXED CHIP(1005)	3.3K 1/16W J 1005 TAPE	R472	1
MAIN ASSY	R:CARBON FIXED CHIP(1005)	1.5K 1/16W J 1005 TAPE	R473	1
MAIN ASSY	R:CARBON FIXED CHIP(1005)	4.7K 1/16W J 1005 TAPE	R474	1
MAIN ASSY	R:CARBON FIXED CHIP(1005)	150 1/16W J 1005 TAPE	R475	1
MAIN ASSY	R:CARBON FIXED CHIP(1005)	100 1/16W J 1005 TAPE	R476	1
MAIN ASSY	R:CARBON FIXED CHIP(1005)	47K 1/16W J 1005 TAPE	R477	1
MAIN ASSY	R:CARBON FIXED CHIP(1005)	47K 1/16W J 1005 TAPE	R478	1
MAIN ASSY	R:CARBON FIXED CHIP(1005)	3.3K 1/16W J 1005 TAPE	R479	1
MAIN ASSY	R:CARBON FIXED CHIP(1005)	47K 1/16W J 1005 TAPE	R480	1
MAIN ASSY	R:CARBON FIXED CHIP(1005)	47K 1/16W J 1005 TAPE	R481	1
MAIN ASSY	R:CARBON FIXED CHIP(1005)	47K 1/16W J 1005 TAPE	R482	1
MAIN ASSY	R:CARBON FIXED CHIP(1005)	47K 1/16W J 1005 TAPE	R483	1
MAIN ASSY	R:CARBON FIXED CHIP(1005)	3.3K 1/16W J 1005 TAPE	R484	1
MAIN ASSY	R:CARBON FIXED CHIP(1005)	3.3K 1/16W J 1005 TAPE	R485	1
MAIN ASSY	R:CARBON FIXED CHIP(1005)	3.3K 1/16W J 1005 TAPE	R486	1
MAIN ASSY	R:CARBON FIXED CHIP(1005)	3.3K 1/16W J 1005 TAPE	R487	1
MAIN ASSY	R:CARBON FIXED CHIP(1005)	47K 1/16W J 1005 TAPE	R488	1
MAIN ASSY	R:CARBON FIXED CHIP(1005)	3.3K 1/16W J 1005 TAPE	R489	1
MAIN ASSY	R:CARBON FIXED CHIP(1005)	33K 1/16W J 1005 TAPE	R490	1
MAIN ASSY	R:CARBON FIXED CHIP(1005)	4.7K 1/16W J 1005 TAPE	R491	1
MAIN ASSY	R:CARBON FIXED CHIP(1005)	4.7K 1/16W J 1005 TAPE	R492	1
MAIN ASSY	R:CARBON FIXED CHIP(1005)	6.8K 1/16W F TAPE	R493	1

McKINLEY USA PARTS LIST

ASSY CODE	DESCRIPTION	SPEC	REFNO	QTY
MAIN ASSY	R:CARBON FIXED CHIP(1005)	6.8K 1/16W F TAPE	R494	1
MAIN ASSY	R:CARBON FIXED CHIP(1005)	22K 1/16W F TAPE	R495	1
MAIN ASSY	R:CARBON FIXED CHIP(1005)	68K 1/16W J 1005 TAPE	R496	1
MAIN ASSY	R:CARBON FIXED CHIP(1005)	100K 1/16W J 1005 TAPE	R497	1
MAIN ASSY	R:CARBON FIXED CHIP(1005)	3.3K 1/16W J 1005 TAPE	R499	1
MAIN ASSY	R:CARBON FIXED CHIP(1005)	68K 1/16W J 1005 TAPE	R500	1
MAIN ASSY	R:CARBON FIXED CHIP(1005)	220 1/16W J 1005 TAPE	R501	1
MAIN ASSY	R:CARBON FIXED CHIP(1005)	220 1/16W J 1005 TAPE	R502	1
MAIN ASSY	R:CARBON FIXED CHIP(1005)	4.7K 1/16W J 1005 TAPE	R503	1
MAIN ASSY	R:CARBON FIXED CHIP(1005)	100 1/16W J 1005 TAPE	R504	1
MAIN ASSY	R:CARBON FIXED CHIP(1005)	820 1/16W J 1005 TAPE	R505	1
MAIN ASSY	R:CARBON FIXED CHIP(1005)	18K 1/16W J 1005 TAPE	R506	1
MAIN ASSY	R:CARBON FIXED CHIP(1005)	100K 1/16W J 1005 TAPE	R507	1
MAIN ASSY	R:CARBON FIXED CHIP(1005)	15K 1/16W J 1005 TAPE	R508	1
MAIN ASSY	R:CARBON FIXED CHIP(1005)	33K 1/16W J 1005 TAPE	R509	1
MAIN ASSY	R:CARBON FIXED CHIP(1005)	220K 1/16W J 1005 TAPE	R510	1
MAIN ASSY	R:CARBON FIXED CHIP(1005)	150K 1/16W J 1005 TAPE	R511	1
MAIN ASSY	R:CARBON FIXED CHIP(1005)	68K 1/16W J 1005 TAPE	R512	1
MAIN ASSY	R:CARBON FIXED CHIP(1005)	2.2K 1/16W J 1005 TAPE	R513	1
MAIN ASSY	R:CARBON FIXED CHIP(1005)	2.2K 1/16W J 1005 TAPE	R514	1
MAIN ASSY	R:CARBON FIXED CHIP(1005)	22K 1/16W J 1005 TAPE	R515	1
MAIN ASSY	R:CARBON FIXED CHIP(1005)	820 1/16W J 1005 TAPE	R516	1
MAIN ASSY	R:CARBON FIXED CHIP(1005)	33K 1/16W J 1005 TAPE	R517	1
MAIN ASSY	R:CARBON FIXED CHIP(1005)	1K 1/16W J 1005 TAPE	R518	1
MAIN ASSY	R:CARBON FIXED CHIP(1005)	1K 1/16W J 1005 TAPE	R519	1
MAIN ASSY	R:CARBON FIXED CHIP(1005)	330K 1/16W J 1005 TAPE	R520	1
MAIN ASSY	R:CARBON FIXED CHIP(1005)	2.2K 1/16W J 1005 TAPE	R521	1
MAIN ASSY	R:CARBON FIXED CHIP(1005)	100K 1/16W J 1005 TAPE	R522	1
MAIN ASSY	R:CARBON FIXED CHIP(1005)	15K 1/16W J 1005 TAPE	R523	1
MAIN ASSY	R:CARBON FIXED CHIP(1005)	47K 1/16W J 1005 TAPE	R524	1
MAIN ASSY	R:CARBON FIXED CHIP(1005)	10K 1/16W J 1005 TAPE	R525	1
MAIN ASSY	R:CARBON FIXED CHIP(1005)	10K 1/16W J 1005 TAPE	R526	1
MAIN ASSY	R:CARBON FIXED CHIP(1005)	2.2M 1/16W J 1005 TAPE	R527	1
MAIN ASSY	R:CARBON FIXED CHIP(1005)	100 1/16W J 1005 TAPE	R528	1
MAIN ASSY	R:CARBON FIXED CHIP(1005)	470 1/16W J 1005 TAPE	R529	1
MAIN ASSY	R:CARBON FIXED CHIP(1005)	220K 1/16W J 1005 TAPE	R530	1
MAIN ASSY	R:CARBON FIXED CHIP(1005)	1K 1/16W J 1005 TAPE	R531	1
MAIN ASSY	R:CARBON FIXED CHIP(1005)	2.2K 1/16W J 1005 TAPE	R532	1
MAIN ASSY	R:CARBON FIXED CHIP(1005)	47K 1/16W J 1005 TAPE	R533	1
MAIN ASSY	R:CARBON FIXED CHIP(1005)	47K 1/16W J 1005 TAPE	R534	1
MAIN ASSY	R:CARBON FIXED CHIP(1005)	47K 1/16W J 1005 TAPE	R535	1
MAIN ASSY	R:CARBON FIXED CHIP(1005)	1K 1/16W J 1005 TAPE	R536	1
MAIN ASSY	R:CARBON FIXED CHIP(1005)	2.2K 1/16W J 1005 TAPE	R537	1
MAIN ASSY	R:CARBON FIXED CHIP(1005)	47K 1/16W J 1005 TAPE	R538	1
MAIN ASSY	R:CARBON FIXED CHIP(1005)	10K 1/16W J 1005 TAPE	R539	1
MAIN ASSY	R:CARBON FIXED CHIP(1005)	100K 1/16W J 1005 TAPE	R540	1
MAIN ASSY	R:CARBON FIXED CHIP(1005)	100K 1/16W J 1005 TAPE	R541	1
MAIN ASSY	R:CARBON FIXED CHIP(1005)	47K 1/16W J 1005 TAPE	R542	1
MAIN ASSY	R:CARBON FIXED CHIP(1005)	15K 1/16W J 1005 TAPE	R543	1
MAIN ASSY	R:CARBON FIXED CHIP(1005)	470K 1/16W J 1005 TAPE	R544	1

McKINLEY USA PARTS LIST

ASSY CODE	DESCRIPTION	SPEC	REFNO	QTY
MAIN ASSY	R:CARBON FIXED CHIP(1005)	10K 1/16W J 1005 TAPE	R545	1
MAIN ASSY	R:CARBON FIXED CHIP(1005)	220K 1/16W J 1005 TAPE	R546	1
MAIN ASSY	R:CARBON FIXED CHIP(1005)	10K 1/16W J 1005 TAPE	R547	1
MAIN ASSY	R:CARBON FIXED CHIP(1005)	2.2K 1/16W J 1005 TAPE	R548	1
MAIN ASSY	R:CARBON FIXED CHIP(1005)	22 1/16W J 1005 TAPE	R549	1
MAIN ASSY	R:CARBON FIXED CHIP(1005)	1K 1/16W J 1005 TAPE	R550	1
MAIN ASSY	R:CARBON FIXED CHIP(1005)	2.2K 1/16W J 1005 TAPE	R551	1
MAIN ASSY	R:CARBON FIXED CHIP(1005)	470K 1/16W J 1005 TAPE	R552	1
MAIN ASSY	R:CARBON FIXED CHIP(1005)	10K 1/16W J 1005 TAPE	R553	1
MAIN ASSY	R:CARBON FIXED CHIP(1005)	3.3K 1/16W J 1005 TAPE	R554	1
MAIN ASSY	R:CARBON FIXED CHIP(1005)	3.3K 1/16W J 1005 TAPE	R555	1
MAIN ASSY	R:CARBON FIXED CHIP(1005)	3.3K 1/16W J 1005 TAPE	R556	1
MAIN ASSY	R:CARBON FIXED CHIP(1005)	3.3K 1/16W J 1005 TAPE	R557	1
MAIN ASSY	R:CARBON FIXED CHIP(1005)	3.3K 1/16W J 1005 TAPE	R558	1
MAIN ASSY	R:CARBON FIXED CHIP(1005)	100K 1/16W J 1005 TAPE	R559	1
MAIN ASSY	R:CARBON FIXED CHIP(1005)	1.5K 1/16W J 1005 TAPE	R560	1
MAIN ASSY	R:CARBON FIXED CHIP(1005)	100K 1/16W J 1005 TAPE	R561	1
MAIN ASSY	R:CARBON FIXED CHIP(1005)	100K 1/16W J 1005 TAPE	R562	1
MAIN ASSY	R:CARBON FIXED CHIP(1005)	2.2K 1/16W J 1005 TAPE	R563	1
MAIN ASSY	R:CARBON FIXED CHIP(1005)	2.2K 1/16W J 1005 TAPE	R564	1
MAIN ASSY	R:CARBON FIXED CHIP(1005)	2.2K 1/16W J 1005 TAPE	R565	1
MAIN ASSY	R:CARBON FIXED CHIP(1005)	10K 1/16W J 1005 TAPE	R566	1
MAIN ASSY	R:CARBON FIXED CHIP(1005)	10K 1/16W J 1005 TAPE	R567	1
MAIN ASSY	R:CARBON FIXED CHIP(1005)	10K 1/16W J 1005 TAPE	R568	1
MAIN ASSY	R:CARBON FIXED CHIP(1005)	10K 1/16W J 1005 TAPE	R569	1
MAIN ASSY	R:CARBON FIXED CHIP(1005)	10K 1/16W J 1005 TAPE	R570	1
MAIN ASSY	R:CARBON FIXED CHIP(1005)	10K 1/16W J 1005 TAPE	R571	1
MAIN ASSY	R:CARBON FIXED CHIP(1005)	10K 1/16W J 1005 TAPE	R572	1
MAIN ASSY	R:CARBON FIXED CHIP(1005)	2.2K 1/16W J 1005 TAPE	R573	1
MAIN ASSY	R:CARBON FIXED CHIP(1005)	4.7K 1/16W J 1005 TAPE	R574	1
MAIN ASSY	R:CARBON FIXED CHIP(1005)	3.3K 1/16W J 1005 TAPE	R575	1
MAIN ASSY	R:CARBON FIXED CHIP(1005)	330K 1/16W J 1005 TAPE	R576	1
MAIN ASSY	R:CARBON FIXED CHIP(1005)	4.7K 1/16W J 1005 TAPE	R577	1
MAIN ASSY	R:CARBON FIXED CHIP(1005)	4.7K 1/16W J 1005 TAPE	R578	1
MAIN ASSY	R:CARBON FIXED CHIP(1005)	4.7K 1/16W J 1005 TAPE	R579	1
MAIN ASSY	R:CARBON FIXED CHIP(1005)	4.7K 1/16W J 1005 TAPE	R580	1
MAIN ASSY	R:CARBON FIXED CHIP(1005)	47K 1/16W J 1005 TAPE	R581	1
MAIN ASSY	R:CARBON FIXED CHIP(1005)	220K 1/16W J 1005 TAPE	R583	1
MAIN ASSY	WIRE	UL 1430 #24 5- 45- 3 RED	W401	1
MAIN ASSY	WIRE	UL 1430 #24 5- 45- 3 BLK	W402	1
MAIN ASSY	CRYSTAL	QX-1083 10.100000MHZ	X301	1
MAIN ASSY	CRYSTAL	QX-1084 10.241700MHZ	X302	1
MAIN ASSY	CRYSTAL	QX-1085 10.697500MHZ	X303	1
MAIN ASSY	FILTER:CRYSTAL	FL-1087 10M07AZ	FT001	1
MAIN ASSY	FILTER:CERAMIC	FL-698 CFWLA455KHFA-B0	FT002	1
MAIN ASSY	FILTER:CRYSTAL	FL-1132 10M04DS	FT003	1
MAIN ASSY	FILTER:CRYSTAL	FL-1071 UMF-7335	FT501	1
MAIN ASSY	FILTER	FL-792 LTM450EW	FT502	1
MAIN ASSY	INTEGRATED CIRCUIT	NJM12904R-TE1-#ZZZB	IC001	1
MAIN ASSY	INTEGRATED CIRCUIT	NJM12904R-TE1-#ZZZB	IC002	1

McKINLEY USA PARTS LIST

ASSY CODE	DESCRIPTION	SPEC	REFNO	QTY
MAIN ASSY	INTEGRATED CIRCUIT	NJM12904R-TE1-#ZZZB	IC003	1
MAIN ASSY	INTEGRATED CIRCUIT	NJM12904R-TE1-#ZZZB	IC201	1
MAIN ASSY	INTEGRATED CIRCUIT	NJM2594M-TE1-#ZZZB	IC202	1
MAIN ASSY	INTEGRATED CIRCUIT	NJM12904R-TE1-#ZZZB	IC204	1
MAIN ASSY	INTEGRATED CIRCUIT	NJM2746RB1-TE1-#ZZZB	IC205	1
MAIN ASSY	IC	MCD2926V55	IC301	1
MAIN ASSY	INTEGRATED CIRCUIT	BU2630F-E2	IC302	1
MAIN ASSY	INTEGRATED CIRCUIT	TDA2003L-TB5-T	IC401	1
MAIN ASSY	INTEGRATED CIRCUIT	CJ431(SOT23)	IC402	1
MAIN ASSY	INTEGRATED CIRCUIT	XC6109C43ANR	IC403	1
MAIN ASSY	IC:MICOM (FLASH OR OTP)	R5F101GDAFB#V0	IC404	1
MAIN ASSY	IC	UMC33167G-TB5-T	IC405	1
MAIN ASSY	INTEGRATED CIRCUIT	MC3361	IC501	1
MAIN ASSY	RELAY	RL-136 JRC-27F/005-H(555)	RL401	1
MAIN ASSY	R:SEMI-FIXED	RT-590 TMC3K-0B 4.7K-TR	RT001	1
MAIN ASSY	R:SEMI-FIXED	RT-590 TMC3K-0B 4.7K-TR	RT002	1
MAIN ASSY	R:SEMI-FIXED	RT-590 TMC3K-0B 1K-TR	RT101	1
MAIN ASSY	R:SEMI-FIXED	RT-590 TMC3K-0B 47K-TR	RT201	1
MAIN ASSY	R:SEMI-FIXED	RT-590 TMC3K-0B 10K-TR	RT202	1
MAIN ASSY	R:SEMI-FIXED	RT-590 TMC3K-0B 4.7K-TR	RT203	1
MAIN ASSY	R:SEMI-FIXED	RT-590 TMC3K-0B 47K-TR	RT204	1
MAIN ASSY	R:SEMI-FIXED	RT-590 TMC3K-0B 47K-TR	RT205	1
MAIN ASSY	R:SEMI-FIXED	RT-590 TMC3K-0B 1K-TR	RT206	1
MAIN ASSY	R:SEMI-FIXED	RT-590 TMC3K-0B 10K-TR	RT207	1
MAIN ASSY	R:SEMI-FIXED	RT-590 TMC3K-0B 4.7K-TR	RT301	1
MAIN ASSY	R:SEMI-FIXED	RT-590 TMC3K-0B 10K-TR	RT302	1
MAIN ASSY	R:SEMI-FIXED	RT-590 TMC3K-0B 4.7K-TR	RT501	1
MAIN ASSY	THERMISTOR	DF-147 SDNT1005X333J4050KTF	TH001	1
MAIN ASSY	THERMISTOR	DF-147 SDNT1005X333J4050KTF	TH301	1
MAIN ASSY	THERMISTOR	DF-147 SDNT1005X333J4050KTF	TH302	1
MAIN ASSY	TEST PIN	TP-138 IPS-1820-01-PT	TP201	1
MAIN ASSY	TEST PIN	TP-138 IPS-1820-01-PT	TP502	1
FRONT ASSY	PCB:FRONT	PB-374AA 1/2	B601	1
FRONT ASSY	C:CERAMIC ML (1005) TAPE	0.01uF 25V K B	C601	1
FRONT ASSY	C:CERAMIC ML (1005) TAPE	0.01uF 25V K B	C602	1
FRONT ASSY	C:CERAMIC ML (1005) TAPE	0.01uF 25V K B	C603	1
FRONT ASSY	C:CERAMIC ML (1005) TAPE	0.01uF 25V K B	C604	1
FRONT ASSY	C:CERAMIC ML (1005) TAPE	0.01uF 25V K B	C606	1
FRONT ASSY	C:ELECTROLYTIC	100UF 16V M C-442	C607	1
FRONT ASSY	C:CERAMIC ML (1005) TAPE	0.01UF 16V K B	C608	1
FRONT ASSY	C:CERAMIC ML (1005) TAPE	0.01UF 16V K B	C609	1
FRONT ASSY	C:CERAMIC ML (1608) TAPE	0.1UF 16V K B	C611	1
FRONT ASSY	C:CERAMIC ML (1005) TAPE	0.01UF 16V K B	C612	1
FRONT ASSY	C:CERAMIC ML (1005) TAPE	0.01UF 16V K B	C613	1
FRONT ASSY	C:CERAMIC ML (1005) TAPE	22PF 50V J CH	C616	1
FRONT ASSY	C:CERAMIC ML (1005) TAPE	0.01UF 16V K B	C617	1
FRONT ASSY	C:CERAMIC ML (1005) TAPE	270PF 16V J CH	C618	1
FRONT ASSY	C:CERAMIC ML (1005) TAPE	100PF 50V J CH	C619	1
FRONT ASSY	C:CERAMIC ML (1005) TAPE	1UF 6.3V K B	C621	1
FRONT ASSY	C:CERAMIC ML (1005) TAPE	1UF 6.3V K B	C622	1

McKINLEY USA PARTS LIST

ASSY CODE	DESCRIPTION	SPEC	REFNO	QTY
FRONT ASSY	C:CERAMIC ML (1005) TAPE	0.01UF 16V K B	C623	1
FRONT ASSY	C:ELECTROLYTIC	220UF 16V 6.3X7.7 M C-442	C624	1
FRONT ASSY	DIODE:LED	LTST-S310F3WT	D601	1
FRONT ASSY	DIODE:LED	LTST-S310F3WT	D602	1
FRONT ASSY	DIODE:LED	LTST-S310F3WT	D603	1
FRONT ASSY	DIODE:LED	LTST-S310F3WT	D604	1
FRONT ASSY	DIODE:ZENER	HZK6C	D606	1
FRONT ASSY	JACK	JK-1163 9639S-26Y905	J601	1
FRONT ASSY	JACK	JK-1380 BM04B-SRSS-TB(LF)(SN)	J602	1
FRONT ASSY	JACK:FPC	JK-1641 11P GFP-102298-311341	J603	1
FRONT ASSY	JACK	JK-1626 60PIN GFP-120298-460341	J604	1
FRONT ASSY	TRANSISTOR	DB-1326 MMBTSC2714Y	Q601	1
FRONT ASSY	TRANSISTOR	DB-1343 L2SD1781KRLT1G	Q602	1
FRONT ASSY	TRANSISTOR	DB-1343 L2SD1781KRLT1G	Q603	1
FRONT ASSY	TRANSISTOR	DB-1343 L2SD1781KRLT1G	Q604	1
FRONT ASSY	TRANSISTOR	DB-1379 ST2SB1424RU	Q606	1
FRONT ASSY	TRANSISTOR	DB-1259 KTC3875S-GR-RTK/P TAPE	Q607	1
FRONT ASSY	R:CARBON FIXED CHIP(1005)	100 1/16W J 1005 TAPE	R601	1
FRONT ASSY	R:CARBON FIXED CHIP(1005)	4.7K 1/16W J 1005 TAPE	R603	1
FRONT ASSY	R:CARBON FIXED CHIP(1005)	47K 1/16W J 1005 TAPE	R604	1
FRONT ASSY	R:CARBON FIXED CHIP(1005)	47K 1/16W J 1005 TAPE	R606	1
FRONT ASSY	R:CARBON FIXED CHIP(1005)	4.7K 1/16W J 1005 TAPE	R607	1
FRONT ASSY	R:CARBON FIXED CHIP(1005)	2.2K 1/16W J 1005 TAPE	R608	1
FRONT ASSY	R:CARBON FIXED CHIP(1608)	220 1/10W J TAPE	R609	1
FRONT ASSY	R:CARBON FIXED CHIP(1608)	680 1/16W J TAPE	R611	1
FRONT ASSY	R:CARBON FIXED CHIP(1608)	330 1/10W J TAPE	R612	1
FRONT ASSY	R:CARBON FIXED CHIP(1608)	220 1/10W J TAPE	R613	1
FRONT ASSY	R:CARBON FIXED CHIP(1608)	680 1/16W J TAPE	R614	1
FRONT ASSY	R:CARBON FIXED CHIP(1608)	330 1/10W J TAPE	R616	1
FRONT ASSY	R:CARBON FIXED CHIP(1608)	220 1/10W J TAPE	R617	1
FRONT ASSY	R:CARBON FIXED CHIP(1608)	680 1/16W J TAPE	R618	1
FRONT ASSY	R:CARBON FIXED CHIP(1608)	330 1/10W J TAPE	R619	1
FRONT ASSY	R:CARBON FIXED CHIP(1005)	1K 1/16W J 1005 TAPE	R620	1
FRONT ASSY	R:CARBON FIXED CHIP(1608)	220 1/10W J TAPE	R621	1
FRONT ASSY	R:CARBON FIXED CHIP(1608)	680 1/16W J TAPE	R622	1
FRONT ASSY	R:CARBON FIXED CHIP(1608)	330 1/10W J TAPE	R623	1
FRONT ASSY	R:CARBON FIXED CHIP(1005)	47K 1/16W J 1005 TAPE	R624	1
FRONT ASSY	R:CARBON FIXED CHIP(1005)	1K 1/16W J 1005 TAPE	R625	1
FRONT ASSY	R:CARBON FIXED CHIP(1005)	47K 1/16W J 1005 TAPE	R626	1
FRONT ASSY	R:CARBON FIXED CHIP(1005)	47K 1/16W J 1005 TAPE	R627	1
FRONT ASSY	R:CARBON FIXED CHIP(1005)	1K 1/16W J 1005 TAPE	R628	1
FRONT ASSY	R:CARBON FIXED CHIP(1005)	1K 1/16W J 1005 TAPE	R629	1
FRONT ASSY	R:CARBON FIXED CHIP(1005)	1K 1/16W J 1005 TAPE	R630	1
FRONT ASSY	R:CARBON FIXED CHIP(1005)	1K 1/16W J 1005 TAPE	R631	1
FRONT ASSY	R:CARBON FIXED CHIP(1005)	1K 1/16W J 1005 TAPE	R632	1
FRONT ASSY	R:CARBON FIXED CHIP(1005)	1K 1/16W J 1005 TAPE	R633	1
FRONT ASSY	R:CARBON FIXED CHIP(1005)	1K 1/16W J 1005 TAPE	R634	1
FRONT ASSY	R:CARBON FIXED CHIP(1005)	1K 1/16W J 1005 TAPE	R635	1
FRONT ASSY	R:CARBON FIXED CHIP(1005)	1K 1/16W J 1005 TAPE	R636	1
FRONT ASSY	R:CARBON FIXED CHIP(1005)	1K 1/16W J 1005 TAPE	R637	1

McKINLEY USA PARTS LIST

ASSY CODE	DESCRIPTION	SPEC	REFNO	QTY
FRONT ASSY	R:CARBON FIXED CHIP(1005)	1K 1/16W J 1005 TAPE	R688	1
FRONT ASSY	R:CARBON FIXED CHIP(1005)	4.7K 1/16W J 1005 TAPE	R689	1
FRONT ASSY	R:CARBON FIXED CHIP(1005)	1K 1/16W J 1005 TAPE	R690	1
FRONT ASSY	R:CARBON FIXED CHIP(1005)	1K 1/16W J 1005 TAPE	R691	1
FRONT ASSY	R:CARBON FIXED CHIP(1005)	10K 1/16W F TAPE	R692	1
FRONT ASSY	R:CARBON FIXED CHIP(1005)	10K 1/16W J 1005 TAPE	R693	1
FRONT ASSY	R:CARBON FIXED CHIP(1005)	3.3K 1/16W J 1005 TAPE	R694	1
FRONT ASSY	R:CARBON FIXED CHIP(1005)	1K 1/16W J 1005 TAPE	R695	1
FRONT ASSY	R:CARBON FIXED CHIP(1005)	100 1/16W J 1005 TAPE	R696	1
FRONT ASSY	R:CARBON FIXED CHIP(1005)	47K 1/16W J 1005 TAPE	R697	1
FRONT ASSY	R:CARBON FIXED CHIP(1005)	680 1/16W J 1005 TAPE	R698	1
FRONT ASSY	R:CARBON FIXED CHIP(1005)	1K 1/16W J 1005 TAPE	R699	1
FRONT ASSY	R:CARBON FIXED CHIP(1005)	3.3K 1/16W J 1005 TAPE	R700	1
FRONT ASSY	R:CARBON FIXED CHIP(1005)	10 1/16W J 1005 TAPE	R701	1
FRONT ASSY	R:CARBON FIXED CHIP(1005)	1K 1/16W J 1005 TAPE	R702	1
FRONT ASSY	R:CARBON FIXED CHIP(1005)	33K 1/16W J 1005 TAPE	R703	1
FRONT ASSY	R:CARBON FIXED CHIP(1005)	33K 1/16W J 1005 TAPE	R704	1
FRONT ASSY	R:CARBON FIXED CHIP(1005)	1K 1/16W J 1005 TAPE	R705	1
FRONT ASSY	R:CARBON FIXED CHIP(1005)	10K 1/16W J 1005 TAPE	R706	1
FRONT ASSY	R:CARBON FIXED CHIP(1005)	10K 1/16W J 1005 TAPE	R707	1
FRONT ASSY	R:CARBON FIXED CHIP(1005)	1K 1/16W J 1005 TAPE	R708	1
FRONT ASSY	R:CARBON FIXED CHIP(1005)	1K 1/16W J 1005 TAPE	R709	1
FRONT ASSY	R:CARBON FIXED CHIP(1005)	2.2K 1/16W J 1005 TAPE	R711	1
FRONT ASSY	R:CARBON FIXED CHIP(1005)	1K 1/16W J 1005 TAPE	R712	1
FRONT ASSY	R:CARBON FIXED CHIP(1005)	10K 1/16W J 1005 TAPE	R713	1
FRONT ASSY	R:CARBON FIXED CHIP(1005)	47K 1/16W J 1005 TAPE	R714	1
FRONT ASSY	R:CARBON FIXED CHIP(1005)	47K 1/16W J 1005 TAPE	R715	1
FRONT ASSY	R:CARBON FIXED CHIP(1005)	47K 1/16W J 1005 TAPE	R716	1
FRONT ASSY	R:CARBON FIXED CHIP(1005)	1K 1/16W J 1005 TAPE	R717	1
FRONT ASSY	R:CARBON FIXED CHIP(1005)	1K 1/16W J 1005 TAPE	R718	1
FRONT ASSY	R:CARBON FIXED CHIP(1005)	1K 1/16W J 1005 TAPE	R719	1
FRONT ASSY	R:CARBON FIXED CHIP(1005)	1K 1/16W J 1005 TAPE	R721	1
FRONT ASSY	R:CARBON FIXED CHIP(1005)	47K 1/16W J 1005 TAPE	R723	1
FRONT ASSY	R:CARBON FIXED CHIP(1005)	47K 1/16W J 1005 TAPE	R724	1
FRONT ASSY	R:CARBON FIXED CHIP(1005)	47K 1/16W J 1005 TAPE	R725	1
FRONT ASSY	R:CARBON FIXED CHIP(1005)	47K 1/16W J 1005 TAPE	R726	1
FRONT ASSY	R:CARBON FIXED CHIP(1005)	2.2K 1/16W J 1005 TAPE	R727	1
FRONT ASSY	R:CARBON FIXED CHIP(1005)	2.2K 1/16W J 1005 TAPE	R728	1
FRONT ASSY	R:CARBON FIXED CHIP(1005)	1K 1/16W J 1005 TAPE	R729	1
FRONT ASSY	R:CARBON FIXED CHIP(1005)	10K 1/16W J 1005 TAPE	R731	1
FRONT ASSY	R:CARBON FIXED CHIP(1005)	10K 1/16W J 1005 TAPE	R732	1
FRONT ASSY	R:CARBON FIXED CHIP(6432)	22 1W J TAPE	R773	1
FRONT ASSY	CRYSTAL	QX-976 10.240000MHZ	X601	1
FRONT ASSY	IC:MICOM (FLASH OR OTP)	R5F111PEAFB#30	IC601	1
FRONT ASSY	INTEGRATED CIRCUIT	XC6109C28ANR-G	IC602	1
FRONT ASSY	IC:I2C E2PROM	FM24C08D-SO-T-G	IC603	1
SWITCH ASSY	PCB:KEY	PB-374AA 2/2	B751	1
SWITCH ASSY	DIODE:LED	LTST-S310F3WT	D751	1
SWITCH ASSY	DIODE:LED	LTST-S310F3WT	D752	1
SWITCH ASSY	DIODE:LED	LTST-S310F3WT	D753	1

McKINLEY USA PARTS LIST

ASSY CODE	DESCRIPTION	SPEC	REFNO	QTY
SWITCH ASSY	DIODE:LED	LTST-S310F3WT	D754	1
SWITCH ASSY	JACK:FPC	JK-1697 11P IMSA-9681S-11Y901-	J751	1
SWITCH ASSY	R:CARBON FIXED CHIP(1608)	220 1/10W J TAPE	R751	1
SWITCH ASSY	R:CARBON FIXED CHIP(1608)	680 1/16W J TAPE	R752	1
SWITCH ASSY	R:CARBON FIXED CHIP(1608)	330 1/10W J TAPE	R753	1
SWITCH ASSY	R:CARBON FIXED CHIP(1608)	220 1/10W J TAPE	R754	1
SWITCH ASSY	R:CARBON FIXED CHIP(1608)	680 1/16W J TAPE	R756	1
SWITCH ASSY	R:CARBON FIXED CHIP(1608)	330 1/10W J TAPE	R757	1
SWITCH ASSY	R:CARBON FIXED CHIP(1608)	220 1/10W J TAPE	R758	1
SWITCH ASSY	R:CARBON FIXED CHIP(1608)	680 1/16W J TAPE	R759	1
SWITCH ASSY	R:CARBON FIXED CHIP(1608)	330 1/10W J TAPE	R761	1
SWITCH ASSY	R:CARBON FIXED CHIP(1608)	220 1/10W J TAPE	R762	1
SWITCH ASSY	R:CARBON FIXED CHIP(1608)	680 1/16W J TAPE	R763	1
SWITCH ASSY	R:CARBON FIXED CHIP(1608)	330 1/10W J TAPE	R764	1
SWITCH ASSY	R:CARBON FIXED CHIP(1005)	0 1/16W J 1005 TAPE	R767	1
SWITCH ASSY	R:CARBON FIXED CHIP(1005)	3.3K 1/16W J 1005 TAPE	R768	1
SWITCH ASSY	R:CARBON FIXED CHIP(1005)	10K 1/16W J 1005 TAPE	R769	1
SWITCH ASSY	R:CARBON FIXED CHIP(1005)	0 1/16W J 1005 TAPE	R771	1
SWITCH ASSY	R:CARBON FIXED CHIP(1005)	3.3K 1/16W J 1005 TAPE	R772	1
SWITCH ASSY	SWITCH:TACT	SW-934 LS16B3T	S751	1
SWITCH ASSY	SWITCH:TACT	SW-934 LS16B3T	S752	1
SWITCH ASSY	SWITCH:TACT	SW-934 LS16B3T	S753	1
SWITCH ASSY	SWITCH:TACT	SW-934 LS16B3T	S754	1
SWITCH ASSY	SWITCH:TACT	SW-934 LS16B3T	S755	1
VOL SQ ASSY	PCB:VOL SQ	PB-373AB 2/4	B851	1
VOL SQ ASSY	WIRE:ASSEMBLED	W-072556Z	W851	1
VOL SQ ASSY	R:VARIABLE	RV-1079 50KA/5KB	VR851	1
CH SW ASSY	PCB:CH SW	PB-373AB 3/4	B860	1
CH SW ASSY	SWITCH:ROTARY	SR-487	S860	1
CH SW ASSY	WIRE:ASSEMBLED	W-072548Z	W860	1
CLARIFIER ASSY	PCB:CLARIFIER	PB-373AB 4/4	B870	1
CLARIFIER ASSY	WIRE:ASSEMBLED	W-072550Z	W870	1
CLARIFIER ASSY	R:VARIABLE	RV-1081 20KB/1KB	VR870	1
PARTS ASSY	JACK:ANT W/O ACC	JK-1639 M-RM-L 102	J501	1
PARTS ASSY	JACK	JK-1346 PLT-166-RL10	J502	1
PARTS ASSY	JACK	JK-052 BLACK 12T-5C018-S	J503	1
PARTS ASSY	FIELD EFFECT TRANSISTOR	DC-373 UFZ24N	Q591	1
PARTS ASSY	FIELD EFFECT TRANSISTOR	DC-361 IRF520PBF	Q592	1
PARTS ASSY	TRANSISTOR	DB-1373 2SC2314 TO-126	Q593	1
PARTS ASSY	WIRES ASSEMBLED	W-072143	W502	1
PARTS ASSY	WIRES ASSEMBLED	W-072143	W503	1
PARTS ASSY	INSULATION SHEET	YY-1651 WCP23-16-11	Y501	1
PARTS ASSY	INSULATION SHEET	YY-1651 WCP23-16-11	Y502	1
PARTS ASSY	LCD	DL-828 JQ10014-01	DP501	1
PARTS ASSY	FLAT CABLE	WF-390 3-60-3 26P	FC501	1
PARTS ASSY	FLAT CABLE	WF-464 3-59-3 11P	FC502	1
PARTS ASSY	SPEAKER	SP-665 F46C01-13	SP501	1
MIC ASSY	PCB:MIC	PCB:MIC	B901	1
MIC ASSY	DIODE	DIODE	D902	1
MIC ASSY	R:CARBON FIXED CHIP(1608) TAPE	4.7KOHM 1% 1/10W RC0402FR-074K7L	R901	1

McKINLEY USA PARTS LIST

ASSY CODE	DESCRIPTION	SPEC	REFNO	QTY
MIC ASSY	R:CARBON FIXED CHIP(1608) TAPE	5.6KOHM 1% 1/10W RC0603FR-075K6L	R902	1
MIC ASSY	SWITCH:TACT	TACT SW	S901	1
MIC ASSY	SWITCH:TACT	TACT SW	S902	1
MIC ASSY	C:CERAMIC M/L (1608) TAPE	0.001UF 50V K B	C901	1
MIC ASSY	DIODE	DIODE	D901	1
MIC ASSY	SWITCH:TACT	PTT SWITCH	S903	1
MIC ASSY	WIRE:W-004	UL1571 26AWG YEL	W901	1
MIC ASSY	WIRE:W-004	UL1571 26AWG YEL	W902	1
MIC ASSY	WIRE:W-004	UL1571 26AWG WHT	W903	1
MIC ASSY	WIRE:W-004	UL1571 26AWG WHT	W904	1
MIC ASSY	WIRE:W-004	UL1571 26AWG WHT	W905	1
MIC ASSY	MICROPHONE	MIC	MC901	1
MIC ASSY	WIRE ASSEMBLED	CURL CORD ASSY	WA902	1
MIC ASSY	MICROPHONE	MK-652 IP743-G010601	MC951	0
MIC ASSY	CORD:DC CORD	WZ-1700 DC POWER CORD	WA951	1