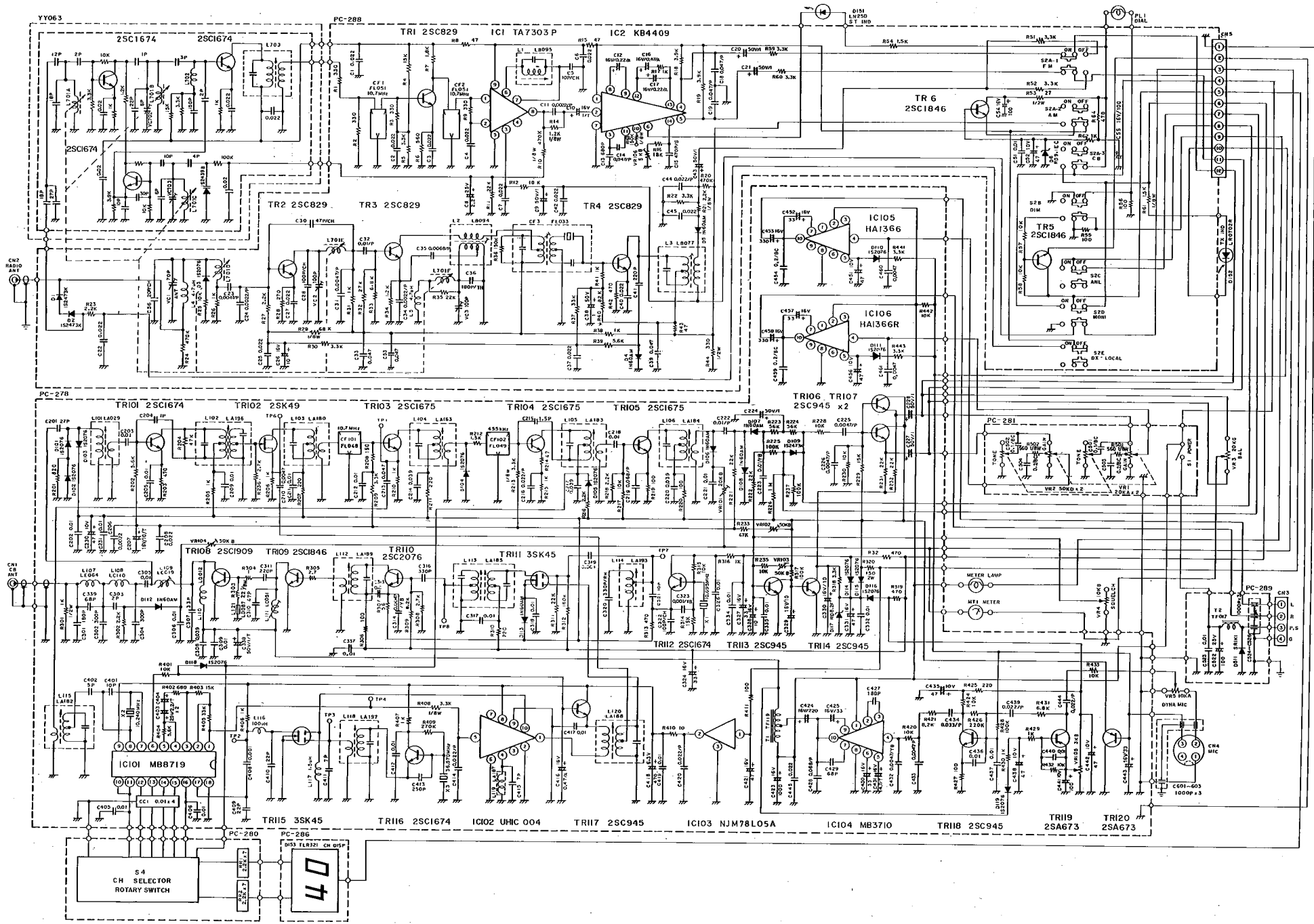


# CIRCUIT DIAGRAM FOR COBRA 46XLR



BILL OF MATERIAL FOR COBRA 46XLR

Table with 3 columns: CIRCUIT SYMBOL, DESCRIPTION, DYNASCAN PART NO. Includes sections for IC, TRANSISTORS & DIODES and COILS & TRANSFORMERS.

Table with 3 columns: CIRCUIT SYMBOL, DESCRIPTION, DYNASCAN PART NO. Includes sections for COILS & TRANSFORMERS (Continued), VARIABLE RESISTORS & VARIABLE CAPACITOR, and RESISTORS.

Table with 3 columns: CIRCUIT SYMBOL, DESCRIPTION, DYNASCAN PART NO. Includes sections for RESISTORS (Continued), CAPACITORS, and CRYSTALS.

Table with 3 columns: CIRCUIT SYMBOL, DESCRIPTION, DYNASCAN PART NO. Includes sections for CAPACITORS (Continued), MISCELLANEOUS (Continued), and CRYSTALS.

Table with 3 columns: CIRCUIT SYMBOL, DESCRIPTION, DYNASCAN PART NO. Includes sections for MISCELLANEOUS (Continued) and CRYSTALS.

Table with 3 columns: CIRCUIT SYMBOL, DESCRIPTION, DYNASCAN PART NO. Includes sections for MISCELLANEOUS (Continued) and CRYSTALS.

Table with 3 columns: CIRCUIT SYMBOL, DESCRIPTION, DYNASCAN PART NO. Includes MISCELLANEOUS (Continued).

Table with 3 columns: CIRCUIT SYMBOL, DESCRIPTION, DYNASCAN PART NO. Includes MISCELLANEOUS (Continued).

L-119	Coil	LA-187	060-024-9-008	26,31,38,41
L-120	Coil	LA-188	060-024-9-009	R-62,212,54,61
L-112	Coil	LA-189	060-024-9-010	R-1,34
L-114	Coil	LA-193	060-024-9-011	R-216,218,302,5,23,7
L-2	Coil	LB-094	046-020-9-001	R-308

Resistor, Carbon Film	1/4W	1.5K ohm	5%	002-104-5-152
Resistor, Carbon Film	1/4W	1.8K ohm	5%	002-104-5-182
Resistor, Carbon Film	1/4W	2.2K ohm	5%	002-104-5-222
Resistor, Carbon Film	1/4W	2.7K ohm	5%	002-104-5-272

CIRCUIT SYMBOL	DESCRIPTION	DYNASCAN PART NO.	CIRCUIT SYMBOL	DESCRIPTION	DYNASCAN PART NO.
<b>RESISTORS (Continued)</b>			<b>CAPACITORS (Continued)</b>		
R-30,59,60,51,52,209, 318,441,443	Resistor, Carbon Film	1/4W 3.3K ohm 5% 002-104-5-332	C-12,17	Capacitor, Aluminum Solid	16V 0.22μF 20% 022-158-9-001
R-18,19	Resistor, Carbon Film	1/4W 3.9K ohm 5% 002-104-5-392	C-16,416	Capacitor, Aluminum Solid	16V 0.47μF 20% 022-161-9-002
R-424,202,404,22,39	Resistor, Carbon Film	1/4W 5.6K ohm 5% 002-104-5-562	C-503,504	Capacitor, Tantalum	6.3V 0.47μF 20% 027-027-9-001
R-14,431	Resistor, Carbon Film	1/4W 6.8K ohm 5% 002-104-5-682	C-10,38	Capacitor, Tantalum	16V 1μF 20% 027-027-9-002
R-12,421	Resistor, Carbon Film	1/4W 8.2K ohm 5% 002-104-5-822	C-403,404	Capacitor, Tantalum	25V 2.2μF 20% 027-021-9-001
R-420,217,228,230,314, 315,401,432,433,442, 25,33,57,58,13	Resistor, Carbon Film	1/4W 10K ohm 5% 002-104-5-103	C-431	Capacitor, Tantalum	16V 4.7μF 20% 027-026-9-004
R-311	Resistor, Carbon Film	1/4W 12K ohm 5% 002-104-5-123	C-36	Capacitor, Polystyrene Film	50V 180pF 10% 030-041-9-001
R-309,403,4,16,229	Resistor, Carbon Film	1/4W 15K ohm 5% 002-104-5-153	C-15	Capacitor, Polystyrene Film	50V 470pF 10% 030-041-9-002
R-221,222,231,232,32, 35	Resistor, Carbon Film	1/4W 22K ohm 5% 002-104-5-223	C-24,34	Capacitor, Polystyrene Film	50V 0.0022μF 10% 030-041-9-003
R-405,37,233	Resistor, Carbon Film	1/4W 33K ohm 5% 002-104-5-333	C-433,226,31,23,434	Capacitor, Polyester Film	50V 0.0047μF 10% 025-126-9-001
R-11,204	Resistor, Carbon Film	1/4W 47K ohm 5% 002-104-5-473	C-35	Capacitor, Polyester Film	50V 0.0058μF 10% 025-122-9-003
R-223,224,225,237	Resistor, Carbon Film	1/4W 56K ohm 5% 002-104-5-563	C-222,32	Capacitor, Polyester Film	50V 0.01μF 10% 025-121-9-002
R-36,426	Resistor, Carbon Film	1/4W 150K ohm 5% 002-104-5-154	C-439,216,225,414,420, 474	Capacitor, Polyester Film	50V 0.022μF 10% 025-121-9-003
R-317,428,40	Resistor, Carbon Film	1/4W 100K ohm 5% 002-104-5-104	C-18,19	Capacitor, Polyester Film	50V 0.033μF 10% 025-121-9-004
R-312	Resistor, Carbon Film	1/4W 180K ohm 5% 002-104-5-184	C-44	Capacitor, Polyester Film	50V 0.039μF 10% 025-121-9-005
R-409	Resistor, Carbon Film	1/4W 270K ohm 5% 002-104-5-274	C-14	Capacitor, Polyester Film	50V 0.047μF 10% 025-121-9-006
R-20,24	Resistor, Carbon Film	1/4W 470K ohm 5% 002-104-5-474	C-219,428	Capacitor, Polyester Film	50V 0.068μF 10% 025-125-9-001
R-226	Resistor, Carbon Film	1/4W 680K ohm 5% 002-104-5-684	C-501,502	Capacitor, Polyester Film	50V 0.1μF 10% 025-121-9-001
R-403	Resistor, Carbon Film	1/8W 3.3K ohm 5% 002-108-5-332	C-204	Capacitor, Ceramic Disk	50V 1pF ±0.25pF SL 020-180-9-001
R-21	Resistor, Carbon Film	1/8W 47K ohm 5% 002-108-5-472	C-215,303	Capacitor, Ceramic Disk	50V 2pF ±0.25pF SL 020-187-9-001
R-10	Resistor, Carbon Film	1/8W 150K ohm 5% 002-108-5-154	C-402,411	Capacitor, Ceramic Disk	50V 5pF ±0.5pF SL 020-187-9-002
R-207	Resistor, Carbon Film	1/8W 220 ohm 5% 002-108-5-221	C-415	Capacitor, Ceramic Disk	50V 7pF ±1pF SL 020-187-9-003
R-213	Resistor, Carbon Film	1/8W 3.3K ohm 5% 002-108-5-332	C-321,401	Capacitor, Ceramic Disk	50V 10pF ±1pF SL 020-187-9-004
R-29	Resistor, Carbon Film	1/8W 82K ohm 5% 002-108-5-823	C-409,410	Capacitor, Ceramic Disk	50V 47pF 5% SL 020-181-9-010
<b>CAPACITORS</b>			C-201	Capacitor, Ceramic Disk	50V 27pF 5% SL 020-187-9-005
CZ-037	Ceramic Feed-Through Capacitors A'ss'y	50W V 1000pF +80 -20% x 3 033-032-9-001	C-307	Capacitor, Ceramic Disk	50V 33pF 5% SL 020-187-9-006
CZ-039	Ceramic Feed-Through Capacitors A'ss'y	50W V 1000pF +80 -20% x 3 033-032-9-002	C-310,427,429,339	Capacitor, Ceramic Disk	50V 68pF 5% SL 020-178-9-009
C9,20,21,43,224,227, 228,329,443	Capacitor, Electrolytic	50WV 1μF 022-157-9-002	C-311	Capacitor, Ceramic Disk	50V 180pF 10% SL 020-148-9-002
C-315,8	Capacitor, Electrolytic	25WV 2.2μF 022-158-9-002	C-41	Capacitor, Ceramic Disk	50V 150pF 10% SL 020-181-9-012
C-407	Capacitor, Electrolytic	50WV 4.7μF 022-161-9-001	C-311,11	Capacitor, Ceramic Disk	50V 220pF 10% SL 020-125-9-005
C-26,207,328,330,451, 456	Capacitor, Electrolytic	16WV 10μF 022-157-9-004	C-312,413	Capacitor, Ceramic Disk	50V 250pF 10% SL 020-181-9-007
C-438	Capacitor, Electrolytic	10WV 33μF 022-158-9-005	C-316	Capacitor, Ceramic Disk	50V 330pF 10% SL 020-181-9-008
C-324,327,425,430,452, 457,229	Capacitor, Electrolytic	16WV 33μF 022-157-9-006	C-13	Capacitor, Ceramic Disk	50V 680pF 10% SL 020-187-9-007
C-435,442,230	Capacitor, Electrolytic	10V 47μF 002-120-9-002	C-302,304	Capacitor, Ceramic Disk	50V 300pF 10% SL 020-187-9-008
C-331,421	Capacitor, Electrolytic	16V 47μF 022-155-9-001	C-30	Capacitor, Ceramic Disk	50V 47pF 5% SL 020-187-9-009
C-441	Capacitor, Electrolytic	10V 100μF 022-157-9-008	C-5	Capacitor, Ceramic Disk	50V 10pF ±1pF CH 020-187-9-010
C-424	Capacitor, Electrolytic	16V 220μF 022-122-9-008	C-322,28	Capacitor, Ceramic Disk	50V 100pF 10% CH 020-187-9-011
C-453,458	Capacitor, Electrolytic	16V 330μF 022-158-9-003	C-320	Capacitor, Ceramic Disk	50V 100pF 10% RH 020-181-9-015
C-418	Capacitor, Electrolytic	6.3V 470μF 022-158-9-008	C-323	Capacitor, Ceramic Disk	25V 0.001μF 10% YB 020-181-9-022
C-423	Capacitor, Electrolytic	16V 1000μF 022-152-9-002	C-454,459	Capacitor, Ceramic Disk	12V 0.2μF ±80% -20% BC 020-187-9-012
C-52	Capacitor, Electrolytic	16V 100μF 022-157-9-009	C-408,319	Capacitor, Ceramic Disk	25V 0.001μF ±80% -20% YG 020-180-9-020
C-522	Capacitor, Electrolytic	25V 100μF 022-155-9-002	C-206	Capacitor, Ceramic Disk	25V 0.0022μF ±80% -20% YG 020-178-9-019
			C-461,221,223,210,460	Capacitor, Ceramic Disk	25V 0.0047μF ±80% -20% YG 020-187-9-013
			C-202,203,205,209,211, 209,313,317,318,326, 332,405,406,412,417, 419,436,437,440,51, 523,231	Capacitor, Ceramic Disk	25V 0.01μF ±80% -20% YG 020-180-9-023

CIRCUIT SYMBOL	DESCRIPTION	DYNASCAN PART NO.	CIRCUIT SYMBOL	DESCRIPTION	DYNASCAN PART NO.
<b>CAPACITORS (Continued)</b>			<b>MISCELLANEOUS (Continued)</b>		
C-432,314	Capacitor, Ceramic Disk	25V 0.0047μF ±80% -20% YB 020-187-9-014	Cord Clamp (A)	741-099-9-001	
C-208,325,1,2,3,4,6,7, 22,25,27,37,40,45,42, 445	Capacitor, Ceramic Disk	25V 0.022μF ±80% -20% YG 020-181-9-019	Cord Clamp (B)	741-099-9-002	
C-214,217,220,308	Capacitor, Ceramic Disk	25V 0.039μF ±80% -20% YG 020-181-9-020	Cover	253-061-9-001	
C-213,33,39	Capacitor, Ceramic Disk	25V 0.047μF ±80% -20% YG 020-181-9-021	Channel Display Mounting Bracket	251-322-9-001	
CC-1	Capacitor Array	50V 1000pF x 5 HA-003... 527-077-9-002	Pointer Guide Ass'y	523-204-9-003	
RR-1,2	Resistor Array	1/8W 2.2K ohm x 7 HA-009... 527-079-9-001	Radio Chassis Ass'y	523-204-9-004	
<b>CRYSTALS</b>			String Tension Lever Ass'y	523-204-9-005	
X-2	Quarz Crystal OX-077	10.240 MHz 133-014-9-001	Bearing Bracket Ass'y	523-204-9-006	
X-1	Quarz Crystal OX-078	10.695 MHz 133-014-9-002	Antenna Trimmer Bracket Ass'y	523-204-9-007	
X-3	Quarz Crystal OX-079	36.570 MHz 133-014-9-003	L Shaped Back-up Plate	260-130-9-001	
<b>MISCELLANEOUS</b>			Spade Terminal	765-012-9-001	
CF-101	Ceramic Filter FL-048	140-020-9-001	Microphone Connector Bracket	251-323-9-001	
CF-102	Ceramic Filter FL-049	455 kHz (1F-CB) 140-018-9-002	Knob Spring for Ford Front Knob	767-051-9-001	
CF-3	Ceramic Filter FL-033	140-020-9-002	VR Mounting Bracket	261-073-9-001	
CF-1,2	Ceramic Filter FL-056	140-020-9-003	Perforated Mounting Strap	251-218-9-001	
S2A-E	Switch, Pushbutton SW-108	FM/AM/CB/DIM/ANL/ Moni/DX 088-037-9-001	Back Plate	260-131-9-001	
S-4	Switch, Rotary SR-182	Channel 083-228-9-001	Lamp Holder	763-093-9-001	
MT-1	Meter MT-087	320-092-9-001	Dial Pointer	763-093-9-002	
PL-1	Microphone, Dynamic MK-064	562-020-9-001	Microphone Hanger	741-074-9-001	
TP-1,2,3,4,5,6,7,8	Lamp with Leads, PL-005	400-049-9-001	FCC Identification Plate	600-040-9-001	
CN-5	Test Point Terminal TP-020	757-028-9-001	Knob Inlay (Squelch)	260-132-9-001	
CN-1	Pushbutton Tuner Ass'y, FM Front End VV-063	523-204-9-001	Decoration Panel (Dull Black)	260-133-9-001	
CN-2	Connector Wafer Ass'y, 12P, PG-038	523-204-9-002	Decoration Panel (Wood Grain)	260-134-9-001	
CN-4	Noise Suppression Capacitor, 0.47μF CZ-031	033-032-9-003	Knob Inlay for Ford Front Knob (SPIN)	260-135-9-001	
CN-3	CB Antenna Cord Ass'y, WZ-024	426-023-9-001	Knob Inlay for STD Front Knob	600-034-9-002	
	Radio Antenna Cord Ass'y, W-070176	426-026-9-001	Knob Inlay for Ford Front Knob	260-136-9-001	
	Microphone Cord Ass'y, WZ-041	426-026-9-002	Insulator Sheet for Radio PCB	763-093-9-003	
	Speaker & Power Cord Ass'y, WZ-042	426-026-9-003	Blind Seal	763-093-9-004	
	Speaker & Power Cord Ass'y, W-070171	426-026-9-004	Nose Piece	763-093-9-005	
	Wire Nut YY-008	763-092-9-001	Channel Selector Knob	751-154-9-001	
	"A" Lead Adaptor With Spade Terminal	426-026-9-005	Squelch Knob	751-154-9-002	
	Ground Wire	426-026-9-006	Lamp Holder	763-093-9-001	
S-10	Noise Suppression Resistor, 10K ohm RZ-004	013-026-9-002	CH Display Holder	763-093-9-006	
2A	Spare Fuse	FS-001, 2AMP 191-251-9-002	Push Button "DIM"	384-022-9-001	
	Main Chassis	257-096-9-001	Push Button "ANL"	384-022-9-002	
	Front Chassis	268-024-9-001	Push Button "ANL"	384-022-9-003	
	Meter Bracket	251-320-9-001	Push Button "DX"	384-022-9-004	
	Rear Chassis	268-026-9-001	Push Button "FM"	384-022-9-005	
	Heat Sink for AF AMP	747-055-9-001	Push Button "AM"	384-022-9-006	
	Heat Sink for RF AMP	747-055-9-002	Push Button "CB"	384-022-9-007	
	Heat Sink for Modulator	747-055-9-003	Pinion	763-093-9-007	
	IC Mounting Bracket	251-321-9-001	Optical Filter Piece (Purple)	763-093-9-008	
	IC Mounting Spacer	759-078-9-001	Dial Scale Plate	260-137-9-001	
	Noise Filter Shield Box	256-073-9-001	Foreign Car Trimplate	260-138-9-001	
			Rubber Gasket	260-121-9-001	
			Standard Front Knob	383-016-9-001	
			Standard Rear Knob	751-150-9-001	
			Ford Type Shallow Rear Knob	751-154-9-004	
			Ford Type Shallow Front Knob	751-154-9-005	
			Ford Type Deep Rear Knob	751-154-9-006	
			LED Mounting Bush	380-291-9-001	
			Pulley	743-005-9-001	
			Gear	743-005-9-002	
			Cord Bushing	380-291-9-002	

CIRCUIT SYMBOL	DESCRIPTION	DYNASCAN PART NO.	CIRCUIT SYMBOL	DESCRIPTION	DYNASCAN PART NO.
<b>MISCELLANEOUS (Continued)</b>			<b>MISCELLANEOUS (Continued)</b>		
	Tuner Shaft Ass'y	523-204-9-008	FCC Form 505	492-041-9-001	
	Pinion Shaft Ass'y	523-204-9-009	FCC Form 555-B	492-046-9-001	
	Slotted Flat Screw	634-090-9-001	FCC Rules Part 95	492-047-9-001	
	Shaft Spacer "A" (3/8" Long)	759-078-9-002	Warranty Card	491-139-9-001	
	Shaft Spacer "B" (1/4" Long)	759-078-9-003	Service Station Card	492-042-9-003	
	Shaft Spacer "C" (5/16" Long)	759-078-9-004	Printed Circuit Board PC-278 CB Main	302-261-9-001	
	Hex Nut, 3/8" x 3/2 NEF	653-042-9-001	Printed Circuit Board PC-283 Radio Main	302-262-9-001	
	Radio PCB MTG STUD	653-042-9-002	Printed Circuit Board PC-281 Variable Resistor	302-263-9-001	
	Knob Function Label (Right)	483-316-9-001	Printed Circuit Board PC-289 Noise Filter	302-264-9-001	
	Knob Function Label (Left)	483-316-9-002	Printed Circuit Board PC-286 Channel Display	302-265-9-001	
	Production Number Label	483-316-9-003	Printed Circuit Board PC-280 Channel Selector	302-266-9-001	
	Coil Spring	767-052-9-001			
	Torsion Spring	767-052-9-002			
	Foamy Cushion for Meter	502-102-9-001			
	Insulator Sheet for Cover	502-102-9-002			
	Insulator Sheet for Radio	502-102-9-003			
	Dial String	763-093-9-009			
	Blind Sheet	763-093-9-010			
	Quickie Bolt	763-093-9-011			
	Screw, Pan Head 2.6DIA x 4, Metric	634-087-9-002			
	Screw, Plastic Pan Head 3DIA x 5, Metric	634-089-9-001			
	Screw, Plastic Pan Head 3DIA x 6, Metric	634-051-9-001			
	Screw, Binding Head 2DIA x 4, Metric	634-089-9-002			
	Screw, Binding Head 2.8DIA x 3, Metric	634-090-9-002			
	Screw				