



**Cobra 138XLR/139XLR
40-Channel
Solid State Citizens Band
SSB/AM Two-Way Radios**



Cobra Communications Product Group

DYNASCAN CORPORATION

6460 W. Cortland Street

Chicago, Illinois 60635



Dear CB'er:

Welcome to the expanding family of users of Cobra Communications equipment.

I hope you will find your Two-Way Radio Communications experience to be as exciting as it is practical. Whatever the purpose of your radio system, Cobra equipment is reliable and a pleasure to use. Dynascan takes special care to provide you with equipment that is compact, handsomely styled, and thoroughly dependable. Many years of valuable experience designing test equipment and other electronic products are behind our two-way communications systems. Premium quality solid-state components and integrated circuits are incorporated into Cobra radios to assure high performance and long life. Special attention is given to each detail to bring you the finest CB radio on the market today because we know that you take pride in your communication equipment.

If you have any comments or suggestions about Cobra, please send them to us. Communications is our business, and it is very important that we communicate with you.

Thank you for your confidence in Cobra two-way radio equipment. We hope you will consider our other fine Cobra products as the need arises.

Sincerely,

A handwritten signature in cursive script that reads "Carl Korn". The signature is written in dark ink and is positioned above the printed name and title.

Carl Korn
President

INSTRUCTION MANUAL
for
Cobra 138XLR/139XLR
40-Channel
Citizens Band Solid State
SSB/AM Two-Way Radios



Cobra Communications Product Group
DYNASCAN CORPORATION
6460 W. Cortland Street
Chicago, Illinois 60635

TABLE OF CONTENTS

	Page
Section I: Introduction	
Frequency Range	4
FCC Warning	5
Section II: Specifications	
Cobra 138XLR	6
Cobra 139XLR	9
Section III: Installation	
Cobra 138XLR	12
Cobra 139XLR	17
Section IV: Operation	
Control Functions	19
Indicator Functions	23
Operating Procedure to Receive (138/139XLR)	23
Operating Procedure to Transmit (138/139XLR)	24
Alternate Microphones and Installation	27
Section V: Maintenance and Adjustment	31
Section VI: Appendix	
Ten Code	32
A Few Rules That Should Be Obeyed	33
How Your CB Can Serve You	34
Use Channel 9 for Emergency Messages Only	35
Warranty Service Instructions	36
Limited 90-Day Warranty	Cov. 3

THE CB STORY

The Citizens Band lies between the shortwave broadcast and 10-meter amateur radio bands, and was established by law in 1949. The Class D two-way communications service was opened in 1959. (CB also includes a Class A business band and Class C remote control frequencies.) Acquiring the Class D license requires no detailed technical or Morse-code knowledge that is required for a "Ham" license.

In March, 1975, the FCC reduced the cost of a CB license from \$20 to \$4. One license can be good for any number of sets used by a given family or business. Once you receive your Class D license for your equipment, anyone may use it.

For example, though the equipment must be licensed to someone over 18 years of age, a child can use the equipment to talk to another child, or an employee can use the equipment as part of his or her routine services. However, final responsibility of legal operation rests with the CB licensee.

NOTE

FCC regulations permit only "transmissions" (one party to another) rather than "broadcasts" (to a wide audience). Thus, advertising is not allowed on CB channels because it is *broadcasting*.

HAVE
A GOOD DAY
TODAY
AND
A BETTER DAY
TOMORROW!

Section I

Introduction

The COBRA 138XLR and 139XLR transceivers represent the most advanced SSB/AM two-way radios ever designed for use as Class D stations in the Citizens Radio Service. Both units feature advanced Phase Lock Loop (PLL) circuitry which is used in the AM mode and in the upper and lower single sideband modes, providing complete coverage of all 40 channels shown below.

Channel Frequency		Channel Frequency	
Channel	in MHz	Channel	in MHz
1	26.965	21	27.215
2	26.975	22	27.225
3	26.985	23	27.255
4	27.005	24	27.235
5	27.015	25	27.245
6	27.025	26	27.265
7	27.035	27	27.275
8	27.055	28	27.285
9	27.065	29	27.295
10	27.075	30	27.305
11	27.085	31	27.315
12	27.105	32	27.325
13	27.115	33	27.335
14	27.125	34	27.345
15	27.135	35	27.355
16	27.155	36	27.365
17	27.165	37	27.375
18	27.175	38	27.385
19	27.185	39	27.395
20	27.205	40	27.405

The COBRA 138XLR and 139XLR have vastly superior receivers which include RF gain control, Automatic Noise Limiting, and Noise Blanker circuitry which is effective in both AM and SSB modes. The receivers also feature increased protection against cross modulation and strong adjacent channel signals.

To obtain maximum performance from your transceiver, please read carefully the following descriptions and operating instructions.

FCC WARNING*

1. Operation of this equipment requires a valid Station License issued by the Federal Communications Commission. Do not transmit with your equipment until you have received your License. Illegal operation can result in severe penalties. Be certain you have read Part 95 of the FCC Rules and Regulations, before operating your station.
2. License applications are to be made on FCC Form 505, available from your nearest field office. (A copy of this form is included with your new COBRA transceiver.)
3. You are required to maintain a current copy of Part 95 of the FCC Rules, as part of your Station records. Copies of Part 95 are available from the Superintendent of Documents, GPO, Washington, D.C. 20402.
4. Your Station License is to be posted in accordance with paragraph 95.101 of the Rules and an executed Transmitter Identification Card (FCC Form 452-C) is to be attached to each transmitter. (A copy of this form also is included with your new COBRA transceiver.)
5. FCC Rules require that ALL transmitter adjustments other than those supplied by the manufacturer as front panel operating controls, be made by, or under the supervision of, the holder of an FCC-issued 1st or 2nd Class Radio Operator License.
6. Replacement or substitution, of crystals, transistors, regular diodes or any other part of a unique nature, with parts other than those recommended by Dynascan, may cause violation of the technical regulations of Part 95 of the FCC Rules, or violation of the Type Acceptance requirements of Part 2 of the Rules.

*Excerpted from Part 95 of the FCC Rules and Regulations.

Section II Specifications

Cobra 138XLR

GENERAL

Channels	40AM, 40LSB, 40USB.
Frequency Range	26.965 to 27.405MHz.
Frequency Control	Phase Lock Loop (PLL) synthesizer.
Frequency Tolerance	0.005%.
Frequency Stability	0.001%.
Operating Temperature Range	-30°C to +50°C.
Microphone	Plug-in type; dynamic with push-to-talk switch and coiled cord.
Input Voltage	13.8 VDC nominal 15.9 V max., 11.7 V min. (positive or negative ground).
Current Drain	<i>Transmit:</i> AM full mod., 3A; SSB, 12 watts PEP output, 2.5A. <i>Receive:</i> Squelched, 1A; maximum audio output, 2A.
Size	2-3/8"H, 7-7/8"W, 10½"D.
Weight	5 pounds.
Antenna Connector	UHF, S0239.
Semiconductors	45 transistors, 7 field effect transistors, 7 integrated circuits, 52 diodes and 1 light emitting diodes.
Meter	Illuminated; indicates relative power output and received signal strength.

TRANSMITTER

Power Output	AM, 4 watts. SSB, 12 watts, PEP.
Modulation	AM, high- and low-level Class B.
Intermodulation Distortion	SSB: 3rd and 5th order, more than -25dB. 7th and 9th order, more than -35dB.
SSB Carrier Suppression	More than -45dB.
Unwanted Sideband	More than -45dB.
Frequency Response	AM and SSB: 350 to 2500 Hz.
Output Impedance	50 ohms, unbalanced.
SSB Filter	7.8 MHz, crystal lattice type: 6dB @ 4.2 KHz 60dB @ KHz
Output Indicators	Meter shows relative RF output power; transmit light shows when transmitter is in operation.

RECEIVER

Sensitivity	SSB: Less than $.25\mu\text{V}$ for 10dB (S+N)/N at greater than $\frac{1}{2}$ -watt of audio output. AM: Less than $.75\mu\text{V}$ for 10dB (S+N)/N at greater than $\frac{1}{2}$ -watt of audio output.
Selectivity	SSB and AM: 6dB @ 4.2 KHz, 60dB @ 7.0 KHz.
Cross Modulation	More than 55dB.
Image Rejection	More than 50dB.
IF Frequency	AM and SSB: 7.8 MHz.
Adjacent Channel Rejection	AM: -60dB; SSB: -65dB.
AM and SSB RF Gain Control	Adjustable for optimum signal reception.

Automatic Gain Control	(AGC): Less than 10dB change in audio output for inputs from 10 to 500,000 microvolts.
Squelch	Adjustable; threshold less than $.5\mu\text{V}$.
Noise Blanker	RF type, effective on AM and SSB.
Voice Lock Range	± 600 Hz.
Audio Output Power	3.5 watts into 8 ohms.
Frequency Response	350 to 2500 Hz.
Distortion	Less than 10% at 3.5 watts output.
Built-in Speaker	8 ohms, round.
External Speaker (Not Supplied)	8 ohms; disables internal speaker when connected.

PA SYSTEM

Power Output	3.5 watts into external speaker.
External Speaker for PA	8 ohms (not supplied).

Cobra 139XLR

GENERAL

Channels	40AM, 40LSB, 40USB.
Frequency Range	26.965 to 27.405MHz.
Frequency Control	Phase Locked Loop (PLL) synthesizer.
Frequency Tolerance	0.005%.
Frequency Stability	0.001%.
Operating Temperature Range	-30°C to +50°C.
Microphone	Plug-in type; dynamic with push-to-talk switch and coiled cord.
Power Consumption (120 VAC)	<i>Transmit:</i> Full mod., 88 watts. <i>Receive:</i> Squelched, 45 watts.
Current Drain (13.8 VDC)	<i>Transmit:</i> AM full mod., 3A; SSB, 12 watts PEP output, 2.8A. <i>Receive:</i> Squelched, 1A; full audio output, 2A.
Size	5"H, 13½"W, 13"D.
Weight	10 pounds.
Antenna Connector	UHF, S0239.
Meters	Shows relative power output, received signal strength, modulation percentage and SWR.
Semiconductors	48 transistors, 7 field effect transistors, 7 integrated circuits, 58 diodes and 1 light emitting diode.

TRANSMITTER

Power Output	AM, 4 watts. SSB, 12 watts, PEP.
Modulation	AM, high- and low-level Class B.

Intermodulation Distortion	SSB: 3rd and 5th order, more than -25db. 7th and 9th order, more than -35dB.
SSB Carrier Suppression	More than -45dB.
Unwanted Sideband	More than -45dB.
Frequency Response	AM and SSB: 350 to 2500 Hz.
Output Impedance	50 ohms, unbalanced.
SSB Filter	7.8 MHz, crystal lattice type: 6db @ 4.2 KHz 60db @ 7.0 KHz
Output Indicators	Meters show relative RF output power, percentage of modulation and SWR.

RECEIVER

Sensitivity	SSB: Less than $.25\mu\text{V}$ for 10db (S+N)/N at greater than $\frac{1}{2}$ -watt of audio output. AM: Less than $.75\mu\text{V}$ for 10dB (S+N)/N at greater than $\frac{1}{2}$ -watt of audio output.
Selectivity	SSB and AM: 6dB @ 4.2 KHz, 60dB @ 7.0 kHz.
Cross Modulation	More than 55dB.
Image Rejection	More than 50dB.
IF Frequency	AM and SSB: 7.8 MHz.
Adjacent Channel Rejection	AM: -65db; SSB: -70dB.
AM and SSB RF Gain Control	Adjustable for optimum signal reception.
Automatic Gain Control	(AGC): Less than 10dB change in audio output for inputs from 10 to 500,000 microvolts.

Squelch	Adjustable; threshold less than $.5\mu\text{V}$.
Noise Blanker	RF type, effective on AM and SSB.
Voice Lock Range	± 600 Hz.
Audio Output Power	3.5 watts into 8 ohms.
Frequency Response	350 to 2500 Hz.
Distortion	Less than 10% at 3.5 watts output.
Built-in Speaker	8 ohms.
External Speaker (Not Supplied)	8 ohms; disables internal speaker when connected.
Input Voltage	120 VAC 60 Hz nominal, 132 VAC maximum and 108 VAC minimum. 13.8 VDC nominal, 15.9 VDC maximum and 11.7 VDC minimum (positive or negative ground).

PA SYSTEM

Power Output	3.5 watts into external speaker.
External Speaker for PA	8 ohms (not supplied).

Section III

Installation

COBRA 138XLR

LOCATION

Plan the location of the transceiver and microphone bracket before starting the installation. Select a location that is convenient for operation and does not interfere with the driver or passengers in the vehicle. In automobiles, the transceiver is usually mounted below the dash panel, with the microphone bracket beside it.

MOUNTING AND CONNECTION

The COBRA 138XLR is supplied with a universal mounting bracket. When mounting the bracket and radio to your car, make sure it is mechanically strong. Also provide a good electrical connection to the chassis of the vehicle. Proceed as follows to mount the transceiver:

1. After you have determined the most convenience location in your vehicle, hold the COBRA 138XLR with mounting bracket in the exact location desired. If nothing will interfere with mounting it in the desired position, remove the mounting bracket and use it as a template to mark the location for the mounting bolts. Before drilling the holes, make sure nothing will interfere with the installation of the mounting bolts.
2. Connect the antenna cable plug to the standard receptacle on the rear panel. Most CB antennas are terminated with a type PL-259 plug and mate with the receptacle.
3. Connect the red DC power input wire (with the fuse) to +13.8 VDC. This wire extends from the rear panel. In automobile installation, +13.8 VDC is usually obtained from the accessory contact on the ignition switch. This prevents the set being left on accidentally when the driver leaves the car and also permits operating the unit without the engine running. Locate the accessory contact on most ignition switches by tracing the power wire from the AM broadcast receiver in the car.

4. Connect the black lead to -13.8 VDC. This is usually the chassis of the car. Any convenient location with good electrical contact (remove paint) may be used.
5. Mount the microphone bracket on the right side of the transceiver or near the transceiver, using two screws supplied. When mounting in an automobile, place the bracket under the dash so the microphone is readily accessible.

IGNITION NOISE INTERFERENCE

Use of a mobile receiver at low signal levels is normally limited by the presence of electrical noise. The primary source of noise in automobile installations is from the generator and ignition system in the vehicle. Under most operating conditions, when signal level is adequate, the background noise does not present a serious problem. Also, when extremely low level signals are being received, the transceiver may be operated with vehicle engine turned off. The unit requires very little current and therefore will not significantly discharge the vehicle battery.

Even though the COBRA 138XLR has ANL and NB controls in some installations ignition interference may be high enough to make good communications impossible. The electrical noise may come from several sources. Many possibilities exist and variations between vehicles require different solutions to reduce the noise. Consult your COBRA dealer or a 2-way radio technician for help in locating and correcting the source of severe noise.

ANTENNA

Since the maximum allowable power output of the transmitter is limited by the FCC, the antenna is one important factor affecting transmission distance. Only a properly matched antenna system will allow maximum power transfer from the 50 ohm transmission line to the radiating element. In mobile installations (cars, trucks, boats, etc.), an antenna system that is non-directional should be used.

A vertically polarized, quarter-wavelength whip antenna provides the most reliable operation and greatest range. Shorter, loaded-type whip antennas are more attractive, compact and adequate for applications where the maximum possible distance is not required. Also, the loaded whips do not present the problems of height imposed by a full quarter-wavelength whip.

Mobile whip antennas utilize the metal body of the vehicle as a ground plane. When mounted at a corner of the vehicle they are slightly directional, in the direction of the body of the vehicle. For all practical purposes, however, the radiation pattern is nondirectional. The slight directional characteristic will be observed only at extreme distances. A standard antenna connector (type SO 239) is provided on the transceiver for easy connection to a standard PL 259 cable termination.

If the transceiver is not mounted on a metal surface, it is necessary to run a separate ground wire from the unit to a good metal electrical ground in the vehicle. When installed in a boat, the transceiver will not operate at maximum efficiency without a ground plate, unless the vessel has a steel hull.

Before installing the transceiver in a boat, consult your dealer for information regarding an adequate grounding system and prevention of electrolysis between fittings in the hull and water.

TUNING THE ANTENNA FOR OPTIMUM SWR

Since there is such a wide variety of base and mobile antennas, this section will strictly concern itself to the various types of mobile adjustable antennas.

Because the antenna length is directly related to the channel frequency, it must be tuned to resonate optimally all 40 channels of the transceiver. Channel 1 requires a longer antenna than Channel 40 because it is lower in frequency.

Due to the various methods of adjusting antennas for proper SWR we have chosen what we think is the optimum method:

A. Antennas with adjustment screws (set screws).

1. Start with the antenna extended and tighten the set screw lightly enough so that the antenna can be lightly tapped with your finger for easy adjustment.
2. Set your COBRA 138XLR to Channel 21. Press the PTT (push-to-talk) switch, and tap the antenna (making it shorter). The SWR meter will show a lower reading each time the antenna is tapped. By continuing to shorten the antenna you will notice the SWR reading will reach a low point and then start rising again. This means that you have passed the optimum point for Channel 21. Extend the antenna a short distance and again follow the procedure above.

When the lowest point has been reached, switch to Channel 1 and then to Channel 40 and compare SWR readings. They should be almost equal.

B. Antennas which must be cut to proper length.

1. Follow the same procedure as above, but adjust the length by cutting in 1/8" increments until a good match is obtained.

Be very careful not to cut too much at one time, as once it is cut, it can no longer be lengthed.

The whip is easily cut by filing a notch all way way around and breaking the piece off with pliers.

NOTE

THE PROPER SETTING IS ACHIEVED WHEN THE SWR IS 1.5 OR BELOW, AND WHEN IT HAS THE SAME READING FOR CHANNELS 1 AND 40.

If you are having difficulties in adjusting your antenna, check the following:

- A. All doors must be closed when adjusting the antenna.
- B. Make sure the antenna base is grounded.
- C. Check your coaxial cable routing (it may be pinched when routed into the car).
- D. Try a different location on your car (keeping in mind the radiation pattern you wish).
- E. Is the antenna perfectly vertical?
- F. Try a different location in your neighborhood. Stay away from large metal objects when adjusting (metal telephone or light posts, fences, etc.)

NOTE

THE COBRA 138XLR will operate into an SWR of 2 to 1 indefinitely and sustain open or short-circuit conditions a maximum of 5 seconds at rated operating conditions.

BASE STATION OPERATION (Operating from 120 VAC House Current)

To operate your transceiver from your home or office, using the regular house current as the power source, you will require the DYNASCAN Model CA-20 PowerPak which has been specially designed for the purpose. It is available as optional equipment from your dealer. It consists of a precision-built AC-DC power converter that delivers the required power for the operation of the transceiver. The CA-20 operates from any 120-volt, 60 Hz power source. Simply connect the red (+) and black (-) leads of the transceiver to the corresponding terminals of the CA-20.

NOTE

Do not attempt to operate this transceiver by connecting directly to 120 volts AC.

When the CA-20 Power-Pak is used with the transceiver for base station operation, any Citizens Band beam, dipole, ground plane or vertical antenna may be used. A ground plane vertical antenna will provide the most uniform horizontal coverage.

BASE STATION ANTENNA

Antenna height is an important factor when maximum range is desired. Keep the antenna clear of surrounding structures or foliage. FCC regulations for base station antenna height are:

1. Omni-directional antennas may not be higher than 60 feet above the ground when using a tower, mast or pole, and no higher than 20 feet above an existing structure.
2. Beam antennas may not be higher than 20 feet above the ground when using a tower, mast, pole, or 20 feet above an existing structure.

These are only general regulations applicable to most but not all parts of the nation. Locations near airports and some military installations are subject to different rules, therefore it is best to contact your nearest Federal Communications office for information regarding your specific area.

COBRA 139XLR

Prior to beginning operation of the transceiver, a basic installation must be prepared. Installation of the transceiver itself is a rather simple procedure.

In selecting the location for the unit, two basic factors must be considered:

1. Access to a 120V, 60Hz power source.
2. The location must be convenient for running the antenna lead-in cable if an outside antenna installation is proposed.

BASE STATION ANTENNA

Since the maximum allowable power output of the transmitter is limited by the FCC, the antenna is one important factor affecting transmission distance. Only a properly matched antenna system will allow maximum power transfer from 50-ohm transmission line to the radiating element. Most quality antennas previously suitable for use on AM also will be satisfactory for SSB. Due to the nature of an SSB transmitter, the VSWR must be kept below 2:1 or instability of the final amplifier might occur.

The recommended method of antenna tuning is to use an in-line watt-meter or VSWR bridge to adjust the antenna for minimum reflected power on channel 21 in the AM mode. When the antenna system is adjusted for proper matching in the AM mode, no further adjustment for SSB will be necessary.

The radio may be used with any type of 50-ohm base station antenna. A ground plane vertical antenna will provide the most uniform horizontal coverage.

For point-to-point operation where both stations are fixed, a directional beam will usually increase communications range since this type of antenna concentrates transmitted energy in one direction. The beam antenna also allows the receiver to "listen" in only one direction thus reducing interfering signals.

Antenna height is an important factor when maximum range is desired. Keep the antenna clear of surrounding structures or foliage. FCC regulations limit antenna height to 20 feet above an existing structure.

MOBILE OPERATION/EMERGENCY POWER OPERATION

It is possible to operate the COBRA 139XLR from an external 13.8 VDC power supply for emergency power conditions or from an automobile battery for mobile operation (see COBRA 138XLR Installation Section for mobile suggestions). The COBRA 139XLR is supplied with a polarized plug for operation on external DC supply.

The plug is coded as follows:

Negative lead is black.

Positive lead is red and has the in-line fuse holder as an integral part of the positive lead.

COBRA 138XLR & 139XLR

PUBLIC ADDRESS

An external 8 ohm, 4 watt speaker may be connected to the PA speaker jack located on the rear panel when the transceiver is used as a public address system. The speaker should be directed away from the microphone to prevent acoustic feed-back. Physical separation or isolation of the microphone and speaker must be used when operating the PA at high output levels.

REMOTE SPEAKER

The external speaker jack (EXT. SPKR.) on the rear panel is used for remote receiver monitoring. The external speaker should have 8 ohms impedance and be able to handle at least 4 watts.

When the external speaker is plugged in the internal speaker is disconnected.

Section IV Operation

CONTROLS AND INDICATORS

Refer to Figure 1 for COBRA 138XLR and Fig. 2 for COBRA 139XLR. Paragraph numbers correspond to the numbered controls on each figure.

A. CONTROL FUNCTIONS

1. **DYNAMIKE.** Adjusts the microphone gain in the transmit and PA modes. This controls the gain to the extent that full talk power is available several inches away from the microphone. In the Public Address (PA) mode the control functions as the volume control.
2. **OFF/ON VOLUME.** Turn clockwise to apply power to the unit and to set the desired listening level.
3. **SQUELCH.** This control is used to cut off or eliminate receiver background noise in the absence of an incoming signal. For maximum receiver sensitivity it is desired that the control be adjusted only to the point where the receiver background noise or ambient background noise is eliminated. Turn fully counterclockwise then slowly clockwise until the receiver noise disappears. Any signal to be received must now be slightly stronger than the average received noise. Further clockwise rotation will increase the threshold level which a signal must overcome in order to be heard. Only strong signals will be heard at a maximum clockwise setting.
4. **RF GAIN.** Adjust as required to optimize signal. This control is functional in both AM and SSB modes and is used primarily to optimize reception in strong signal areas. Gain is reduced by counterclockwise rotation of the control.
5. **VOICE LOCK.** Allows variation of both the transmitter and receiver operating frequencies above and below the assigned frequency. Although this control is intended primarily to tune in SSB signals it may be used to optimize AM signals.

6. **MODE SWITCH (AM/USB/LSB SWITCH).** This switch selects AM (Amplitude Modulation), USB (Upper Side Band) or LSB (Lower Side Band) mode of operation. The Mode selector switch changes the mode of operation of both the transmitter and receiver simultaneously.
7. **CHANNEL SELECTOR.** This switch selects any one of forty Citizens Band channels desired. The selected channel appears on the LED readout directly above the Channel Selector knob. Channel 9 has been reserved by the FCC for emergency communications involving the immediate safety of life of individuals or immediate protection of property. Channel 9 may also be used to render assistance to a motorist.
8. **SWR CAL CONTROL.** In order for you to achieve maximum radiated power and the longest range, it is important that your antenna be in good condition, properly adjusted and matched to your transceiver. The built-in SWR (standing wave ratio) meter lets you easily measure your antenna condition. To operate this function, connect your antenna to the transceiver antenna output connector. Select a channel near the middle of the band such as 21 or the channel you plan to use most frequently. Turn the power on and set the meter function switch to the CAL position. Press and hold the microphone push-to-talk button and using the SWR CAL control, adjust the meter to read the CAL position indicated on the meter face. Then, without releasing the microphone button, switch the meter function switch to the SWR position and read the SWR indicated. The lower the figure, the better, with 1 being ideal. Generally speaking, readings up to 3 are acceptable, but over 3 indicates that you are losing radiated power and antenna adjustment may be advisable.
9. **PA/CB SWITCH.** Selects the mode of operation. In the CB position, the PA function is disabled and the unit will transmit and receive on the selected frequency. The PA function should not be used unless a PA speaker is connected.

To use this PA FEATURE, a speaker having a voice coil impedance of 8 ohms and a power handling capability of at least four watts should be used. This speaker must be plugged into the PA SPKR jack at the rear of the transceiver. With the PA speaker connected as outlined previously, be sure that there is physical separation between the microphone and the speaker itself. If the speaker is located close to the microphone, acoustic feedback will result when the public address system is operated at high volume. Some

experimentation will determine the minimum amount of isolation required for a given sound level from the public address system.

NOTE

PA volume is controlled by adjusting the DYNAMIKE knob to the desired volume.

10. **OFF/ANL/ANL + NB SWITCH (COBRA 139XLR).** In the ANL position only the automatic noise limiter in the audio circuits is activated. When the switch is placed in the ANL + NB position, the RF noise blanker also is activated. The RF noise blanker is very effective for repetitive impulse noise such as ignition interference.
11. **OFF/ANL/NB SWITCH (COBRA 138XLR).** In the ANL position only the automatic noise limiter in the audio circuits is activated. When the switch is placed in the NB position, the RF noise blanker is activated. The RF noise blanker is very effective for repetitive impulse noise such as ignition interference.
12. **DIMMER CONTROL (COBRA 139XLR).** Controls the brightness of the LED channel indicator for optimum intensity for day or nighttime driving.
13. **TONE CONTROL.** This control is used to shape the audio response to the operator's preference. Bass is increased by counterclockwise rotation and treble is increased by clockwise rotation.
14. **SWR/SWR CAL/RF-MOD SWITCH.** In the RF-MOD position, the S/RF and MOD meters are activated. When in the SWR or SWR CAL positions, the SWR meter is activated. In the later two cases, the operation is described in the above SWR CAL CONTROL description.
15. **PRESS-TO-TALK MICROPHONE.** The receiver and transmitter are controlled by the press-to-talk switch on the microphone. Press the switch and the transmitter is activated; release switch to receive. When transmitting, hold the microphone two inches from the mouth and speak clearly in a normal "voice". The radios come complete with a low-impedance 500-ohm dynamic microphone. For installation instructions on other microphones, see next section, "ALTERNATE MICROPHONES AND INSTALLATION."

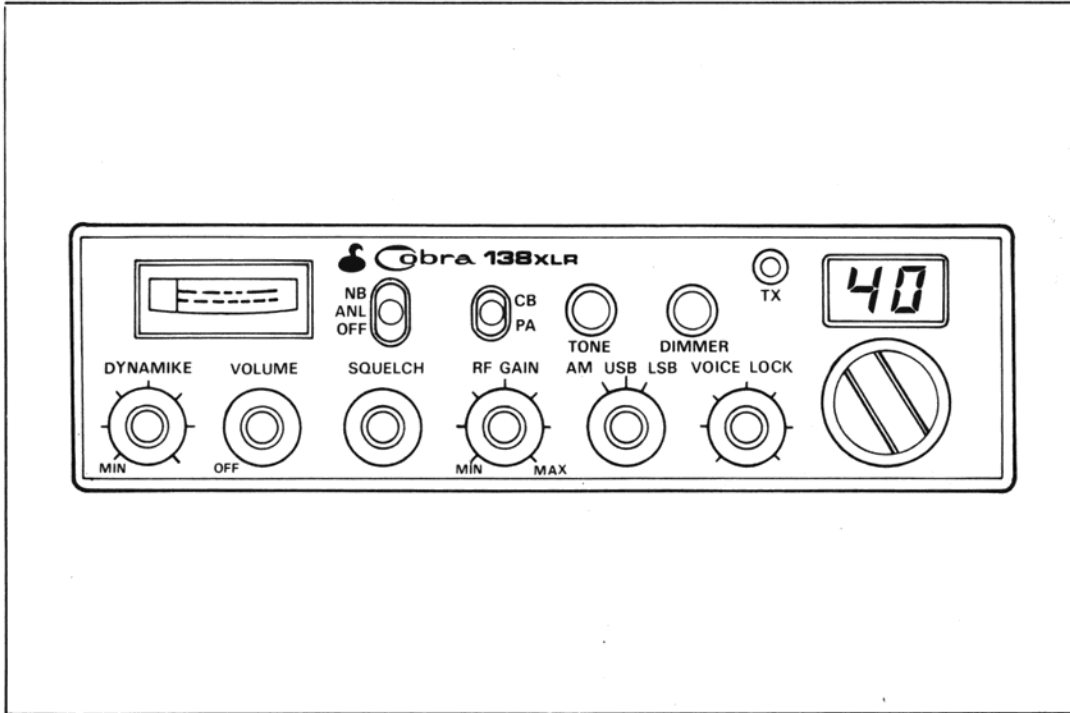


Fig. 1. Cobra 138XLR front panel view.

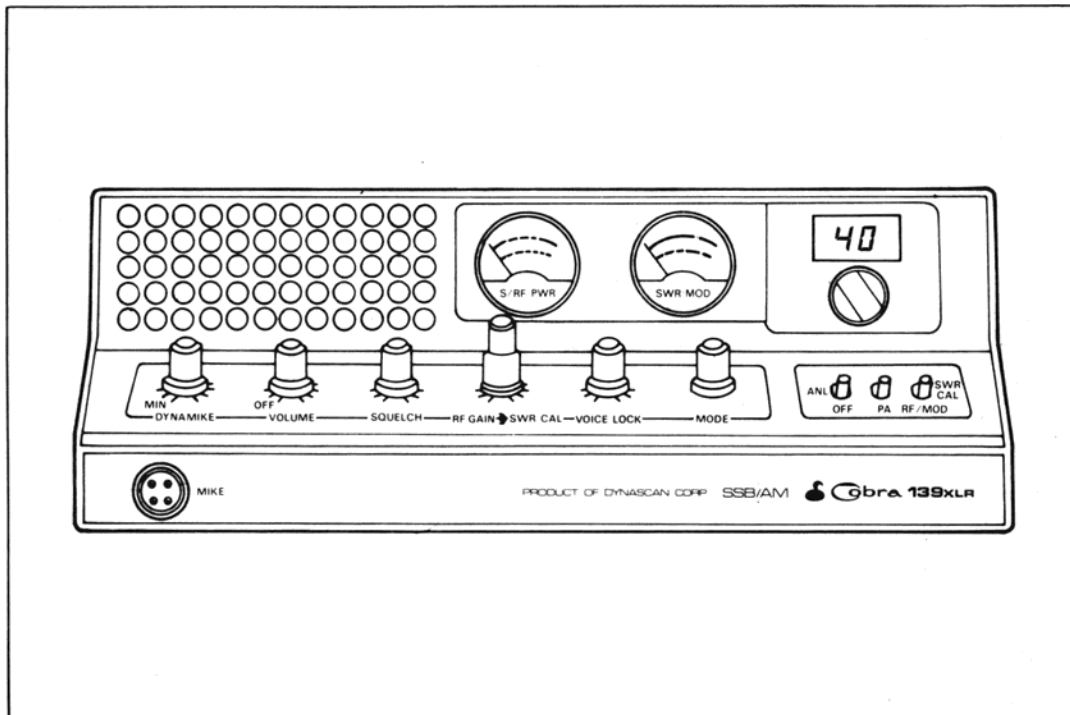


Fig. 2. Cobra 139XLR front panel view.

B. INDICATOR FUNCTIONS

1. **S-METER.** Swings proportionally to the strength of the incoming signal.
2. **RF METER.** Swings proportionally to the RF output power.

COBRA 139XLR. When transmitting, the switch on the extreme right must be in the RF/MOD position for the meter to function.

COBRA 138XLR. The meter switches automatically when transmitting, or receiving.

3. **MODULATION METER (COBRA 139XLR).** Swings proportionally to the degree of modulation. When transmitting, the switch on the extreme right must be in the RF/MOD position for the meter to function.
4. **TRANSMIT INDICATOR (COBRA 138XLR).** The red LED located above the channel selector is a proportional output indicating device. When the transmitter is keyed, the LED will light at a reduced intensity, and will brighten as the transmitter is modulated. The first brightness level is indicative of the AM carrier output strength and full brightness is achieved when voice modulation is applied to the carrier since the carrier peak output is increased with modulation.
5. **SWR METER (COBRA 139XLR).** Measures the ratio of standing wave voltage of the antenna system. Used to properly adjust the length of the antenna, and to monitor the quality of the coaxial cable and all RF electrical connections. If there is any degradation whatsoever in any of the above, due to humidity, salt spray, vibration or corrosion, the SWR meter reading will rise, thereby indicating that a problem exists.

To calibrate, switch to the "CAL" position, transmit by pressing the mike switch, and adjust the SWR control to the "CAL" mark on the meter then switch to "SWR" position for the SWR measurement.

6. **CHANNEL INDICATOR.** The selected channel appears on the LED readout directly above the channel selector knob.

OPERATING PROCEDURE TO RECEIVE (138XLR and 139XLR)

1. Be sure that power source and antenna are connected to the proper connections before going to the next step.
2. Set PA-CB Switch to the CB position and turn unit on by turning VOLUME control clockwise.
3. Set the VOLUME for a comfortable listening level.
4. Set the MODE switch to the desired mode.
5. Listen to the background noise from the speaker. Turn the SQUELCH control slowly clockwise until the noise JUST disappears (no signal should be present). Leave the control at this setting. The SQUELCH is now properly adjusted. The receiver will remain quiet until a signal is actually received. Do not advance the control too far, or some of the weaker signals will not be heard.
6. Set the CHANNEL selector switch to the desired channel.
7. Set the RF gain control full clockwise for maximum RF gain.
8. Adjust the VOICE LOCK control to clarify the SSB signals or to optimize AM signals.

OPERATING PROCEDURE TO TRANSMIT (138XLR and 139XLR)

1. Select the desired channel.
2. If the channel is clear, depress the push-to-talk switch on the microphone and speak in a normal voice.

CAUTION

Be sure the antenna is properly connected to the unit before transmitting. Prolonged transmitting without an antenna or with a poorly matched antenna (high SWR; over 3) can cause damage to the transmitter.

RECEIVING SSB SIGNALS

There are three types of signals presently used for communications in the Citizens Band: AM, USB, and LSB. When the MODE switch on your unit is placed in the AM position, only standard double-sideband, full carrier signals will be detected. An SSB signal may be recognized while in the AM mode by its characteristic "Donald Duck" sound and the inability of the AM detector to produce an intelligible output. The USB and LSB modes will detect upper sideband and lower sideband respectively, and standard AM signals.

SSB reception differs from standard AM reception in that the SSB receiver does not require a carrier or opposite sideband to produce an intelligible signal. A single-sideband transmitted signal consists only of the upper or the lower sideband and no carrier is transmitted. The elimination of the carrier from the AM signal helps to eliminate the biggest cause of whistles and tones heard on channels which make even moderately strong AM signals unreadable. Also, SSB takes only half of an AM channel, therefore two SSB conversations will fit into each channel, expanding the 40 AM channels to 80 SSB channels. The reduction in channel space required also helps in the receiver because only *half* of the noise and interference can be received with 100% of the SSB signal.

An SSB signal may be received only when the listening receiver is functioning in the same mode. In other words, an upper sideband signal (USB) may be made intelligible *only* if the receiver is functioning in the USB position.

If a lower sideband (LSB) signal is heard when the receiver is in the USB mode, no amount of tuning will make the signal intelligible. The reason for this may be understood if you consider that when modulation is applied to the transmitter's microphone in the USB mode, the transmitter's output frequency is increased whereas in the LSB mode the transmitter's output frequency is decreased. The result in listening to the receiver is that when the MODE switch is in the proper position (either USB or LSB), a true reproduction of single tone of modulation will result, and if the tone is increased in frequency (such as a low-pitched whistle to a high-pitched whistle) you will hear the increase in the output tone of the receiver. If the incorrect mode is selected, an increase in tone of a whistle applied to the transmitter will cause a decrease in the resultant tone from the receiver.

Thus when a voice is used in place of a whistle or tone, in the proper listening mode the voice will be received correctly whereas in the incorrect mode, the voice will be translated backwards and cannot be made intelligible by

the voice lock control. When listening to an AM transmission, a correct sideband is heard in either mode since both upper and lower sideband are received.

Once the desired SSB mode has been selected, frequency adjustment may be necessary in order to make the incoming signal intelligible. the VOICE LOCK control allows the operator to vary frequency above and below the exact-center frequency of the received signal. If the sound of the incoming signal is high or low pitched, adjust the operation of the VOICE LOCK. Consider it as performing the same function as a phonograph speed control. When the speed is set too high, voices will be high-pitched and if set too low, voices will be low-pitched. Also, there is only *one* correct speed that will make a particular record produce the same sound that was recorded. If the record is played on a turntable that rotates in the wrong direction (opposite sideband) no amount of speed control (VOICE LOCK) will produce an intelligible sound.

An AM signal received while listening in one of the SSB modes will produce a steady tone (carrier) in addition to the intelligence, unless the SSB receiver is tuned to exactly the same frequency by the VOICE LOCK control. For simplicity it is recommended that the AM modes be used to listen to AM signals.

ALTERNATE MICROPHONES AND INSTALLATION

For best results, the user should select a low-impedance dynamic type microphone or a transistorized microphone. Transistorized type microphones have a low output impedance characteristic. The microphones must be provided with a four-lead cable. The audio conductor and its shielded lead comprise two of the leads. The third lead is for transmit/receive control and the fourth lead is the speaker return lead which disables the speaker during transmit. The microphone should provide the functions shown in schematic below.

COBRA 138/139XLR 4-Wire Mic Cable

Pin Number	Mic Cable Lead
1	Audio Shield
2	Audio Lead
3	Transmit Control
4	Receive Control

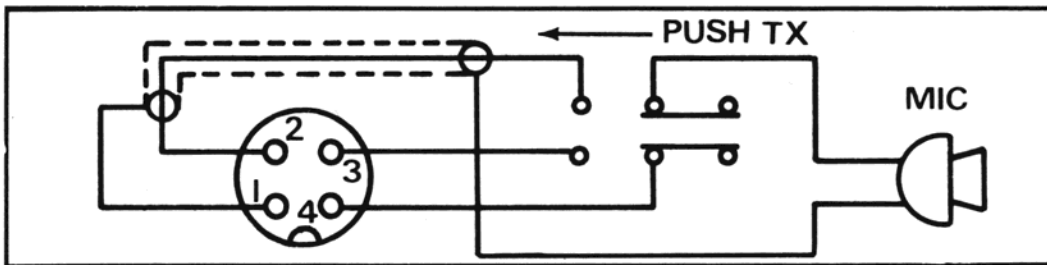


Fig. 3. Cobra 138XLR microphone schematic.

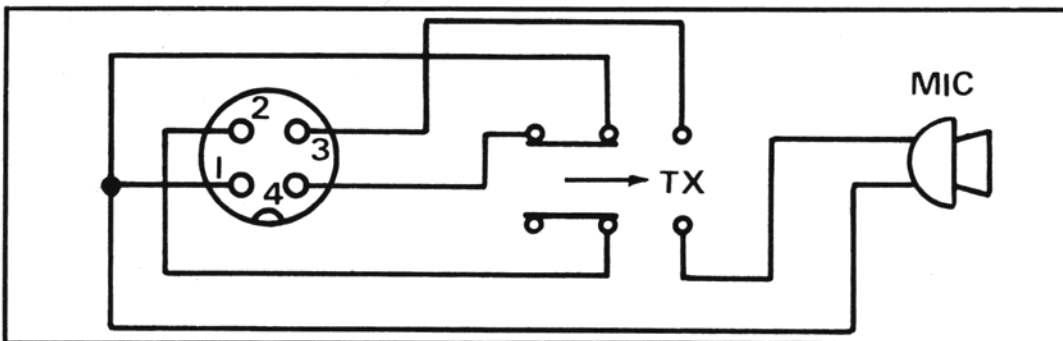


Fig. 4. Cobra 139XLR microphone schematic.

If the microphone to be used is provided with pre-cut leads, they must be revised as follows:

1. Cut leads so that they extend $7/16$ " beyond the plastic insulating jacket of the microphone cable. (See Fig. 3 and 4.)
2. All leads should be cut to the same length. Strip the ends of each wire $1/8$ " and tin the exposed wire.

Before beginning the actual wiring, read carefully, the circuit and wiring information provided with the microphone you select. Use the minimum head required in soldering the connections. Keep the exposed wire lengths to a minimum to avoid shorting when the microphone plug is reassembled.

To wire the microphone cable to the plug provided, proceed as follows (see Fig. 5):

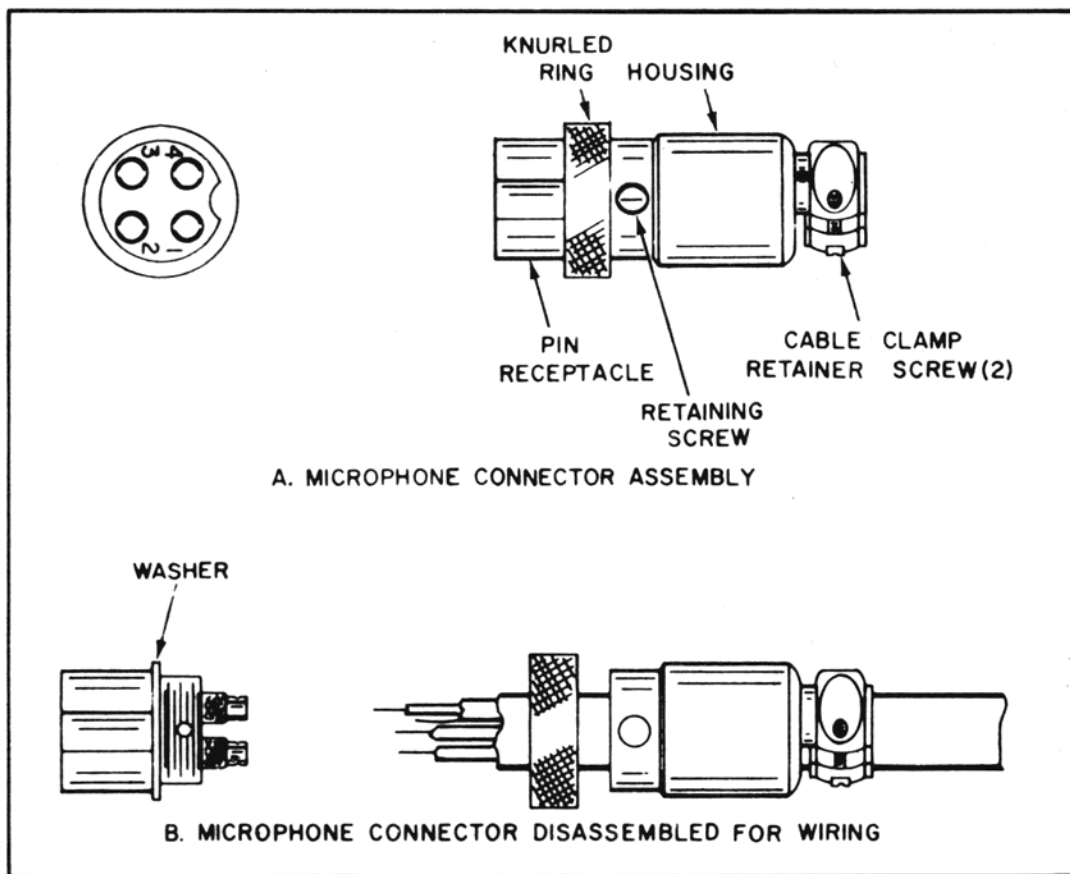


Fig. 5. Microphone plug wiring.

1. Remove the retaining screw.
2. Unscrew the housing from the pin receptacle body.
3. Loosen the two cable clamp retainer screws.
4. Feed the microphone cable through the housing, knurled ring and washer as shown in Fig. 5B.
5. The wires must now be soldered to the pins as indicated in the above wiring tables. If a vise or clamping tool is available it should be used to hold the pin receptacle body during the soldering operation, so that both hands are free to perform the soldering. If a vise or clamping tool is not available, the pin receptacle body can be held in a stationary position by inserting it into the microphone jack of the front panel. The numbers of the pins of the microphone plug are shown in Fig. 6, as viewed from the back of the plug. Before soldering the wire to the pins, pre-tin the wire receptacle of each pin of the plug.

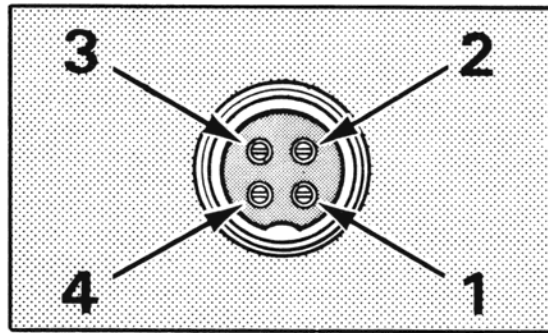


Fig. 6. Microphone plug pin numbers viewed from rear of pin receptacle.

Be sure that the housing and the knurled ring of Fig. 5 are pushed back onto the microphone cable before starting to solder. If the washer is not captive to the pin receptacle body, make sure that it is placed on the threaded portion of the pin receptacle body before soldering.

If the microphone jack is used to hold the pin receptacle during the soldering operation, best results are obtained when the connections to pins 1 and 4 are made first and then the connections to pins 2 and 3. Use a minimum amount of solder and be careful to prevent excessive solder accumulation on pins, which could cause a short between the pin and the microphone plug housing.

6. When all soldering connections to the pins of the microphone plug are complete, push the knurled ring and the housing forward and screw the housing onto the threaded portion of the pin receptacle body. Note the location of the screw clearance hole in the plug housing with respect to the threaded hole in the pin receptacle body. When the housing is completely threaded onto the pin receptacle body, a final fraction of a turn either clockwise or counterclockwise may be required to align the screw hole with the threaded hole in the pin receptacle body. When these are aligned, the retaining screw is then screwed into place to secure the housing to the pin receptacle body.
7. The two cable clamp retainer screws should now be tightened to secure the housing to the microphone cord. If the cutting directions have been carefully followed, the cable clamp should secure to the insulating jacket of the microphone cable.
8. Upon completion of the microphone plug wiring, connect and secure the microphone plug in the transceiver.

Section V

Maintenance and Adjustment

COBRA 138XLR (Mobile) and COBRA 139XLR (Base Station) transceivers are specifically designed for their respective environments. The use of all solid state circuitry and light weight result in high reliability. Should a failure occur, however, replace parts *only* with identical parts. Do *not* substitute. Refer to the schematic diagram and parts list.

NOTE

If the performance described in the OPERATION and MAINTENANCE AND ADJUSTMENT sections is not obtained, review the operating instructions to insure that proper procedures were followed. If a problem still exists, refer to WARRANTY SERVICE INSTRUCTIONS elsewhere in this manual.

FCC WARNING

Federal law required that adjustment of the radio frequency section of this transceiver may not be made by a Citizens Band operator. Only a United States licensed First or Second Class commercial license holder may tune the transmitter section of this transceiver, per FCC part 95 section 95.97d.

Section VI

Appendix

Citizens Band radio operators have largely adopted the “10-code” for standard questions and answers. Its use permits faster communications and better understanding in noisy areas. The following table lists some of the more common codes and their meanings.

10 CODE

Code	Meaning	Code	Meaning
10-1	Receiving poorly	10-29	Time is up for contact
10-2	Receiving well	10-30	Does not conform to FCC rules
10-3	Stop transmitting	10-32	I will give you a radio check
10-4	OK, message received	10-33	EMERGENCY TRAFFIC
10-5	Relay message	10-34	Trouble at this station
10-6	Busy, stand by	10-35	Confidential information
10-7	Out of service, leaving air	10-36	Correct time is
10-8	In service, subject to call	10-37	Wrecker needed at
10-9	Repeat message	10-38	Ambulance needed at
10-10	Transmission completed, standing by	10-39	Your message delivered
10-11	Talking too rapidly	10-41	Please turn to channel
10-12	Visitors present	10-42	Traffic accident at
10-13	Advise Weather/Road conditions	10-43	Traffic Tie up at
10-16	Make pick up at	10-44	I have a message for you
10-17	Urgent business	10-45	All units within range please report
10-18	Anything for us?		
10-19	Nothing for you, return to base	10-50	Break channel
10-20	My location is	10-60	What is next message number?
10-21	Call by telephone	10-62	Unable to copy, use phone
10-22	Report in person to	10-63	Net directed to
10-23	Stand by	10-64	Net clear
10-24	Completed last assignment	10-65	Awaiting your next message/assignment
10-25	Can you contact	10-67	All units comply
10-26	Disregard last information		
10-27	I am moving to channel	10-70	Fire at
10-28	Identify your station		

10 CODE (Continued)

Code	Meaning	Code	Meaning
10-71	Proceed with transmission in sequence	10-91	Talk closer to mike
10-73	Speed trap at	10-92	Your transmitter is out of adjustment
10-75	You are causing interference	10-93	Check my frequency on this channel
10-77	Negative contact	10-94	Please give me a long count
10-81	Reserve hotel room for	10-95	Transmit dead carrier for 5 seconds
10-82	Reserve room for	10-99	Mission completed, all units secure
10-84	My telephone number is		
10-85	My address is		
10-89	Radio repairman needed at		
10-90	I have TVI	10-200	Police needed at

A FEW RULES THAT SHOULD BE OBEYED

1. You must identify your official licensed call sign at the beginning and end of every conversation.
2. You are not allowed to carry on a conversation with another station for more than five minutes at a time without taking a one-minute break, to give others a chance to use the channel.
3. You are not allowed to blast others off the air by over-powering them with illegally amplified transmitter power, or illegally high antennas.
4. You can't use CB to promote illegal activities.
5. You are not allowed to use profanity.
6. You may not play music in your CB.
7. You may not use your CB to sell merchandise or professional services.

HOW YOUR CB CAN SERVE YOU

- Warn of traffic tie ups ahead.
- Provide weather and road information.
- Provide help fast in event of emergency or breakdown.
- Suggest good spots to eat and sleep.
- Make long trips more interesting, and help keep you awake.
- Provide direct contact with your office or home.
- Make friends for you as you travel.
- Provide “local information” to find your destination.
- Help law enforcement officers by reporting drunk and reckless drivers.

Colonel Samuel S. Smith of the Missouri Highway Patrol called the number of drunken drivers, wrong-way drivers and speeders reported by CBers as “amazing.” He said, that even the “Smokey Bear” warnings don’t shake their beliefs that “the potential benefits of CB radio to law enforcement are so great that they far outweigh the disadvantages.” In regards to CB radar warnings to other CBers, Colonel Smith said cheerfully that “We’ve overheard warnings being relayed to truckers long after our operations have been discontinued . . . so we actually receive a residual benefit from these warnings.”

USE CHANNEL 9 FOR EMERGENCY MESSAGES ONLY

FCC gives the following examples of permitted and prohibited types of communications for use on Channel 9. These are guidelines and are not intended to be all-inclusive.

Permitted	Example Message
Yes	“A tornado sighted six miles north of town.”
No	“This is observation post number 10. No tornado sighted.”
Yes	“I am out of gas on Interstate 95.”
No	“I am out of gas in my driveway.”
Yes	“There is a four-car collision at Exit 10 on the Beltway, send police and ambulance.”
No	“Traffic is moving smoothly on the Beltway.”
Yes	“Base to Unit 1, the Weather Bureau has just issued a thunderstorm warning. Bring the sailboat into port.”
No	“Attention all motorists. The Weather Bureau advises that the snow tomorrow will accumulate 4 to 6 inches.”
Yes	“There is a fire in the building on the corner of 6th and Main Streets.”
No	“This is Halloween patrol unit number 3. Everything is quiet here.”

WARRANTY SERVICE INSTRUCTIONS

1. Refer to the MAINTENANCE section of your Cobra instruction manual for adjustments that may be applicable.
2. Defective parts removed from units which are within the 90-Day Limited Warranty period should be sent PREPAID to the Service Department listed below. Be sure to state the model and serial number of the unit from which the parts were removed and date the unit was purchased. These parts will be exchanged at no charge, under the terms of the Warranty.
3. If the above-mentioned procedures do not correct the problem you are experiencing with your unit, pack it securely (preferably in the original carton or double-packed). Enclose a letter describing the problem and include your name and address. Deliver to, or ship PREPAID (UPS preferred) to the nearest Cobra authorized service agency (see list enclosed with unit).

If your list of authorized Cobra service agencies has been misplaced, contact your local dealer for the name of your nearest service agency, or write to:

Service Department

Cobra Product Group
DYNASCAN CORPORATION
2815 West Irving Park Road
Chicago, Illinois 60618

90-DAY LIMITED WARRANTY

DYNASCAN warrants that each COBRA product manufactured by it will be free from defects in material and workmanship under conditions of normal use and service for a period of ninety (90) days from the date of purchase from an authorized COBRA dealer. DYNASCAN will, at its option, repair or replace any product or component not conforming with the foregoing warranty and which is returned, transportation prepaid, to our factory or our authorized service contractor. *DYNASCAN shall not otherwise be liable for any damages, consequential or otherwise.* DYNASCAN makes no other express warranties. *Any implied warranties (including any warranty of merchantability) are limited in duration to ninety (90) days from the date of purchase.* This warranty does not apply to (i) damage resulting from unauthorized alterations and repairs, misuse, negligency or accident; or (ii) damage resulting from improper installation, connection or adjustment otherwise than in accordance with COBRA's authorized Instruction Manual. This warranty is void if the serial number has been altered, defaced or removed. DYNASCAN reserves the right to discontinue any model at any time or change specifications or design without notice and without incurring any obligation. To register this warranty, the enclosed COBRA warranty registration card should be completed and mailed to COBRA COMMUNICATIONS, PO Box 35148, Chicago, Illinois 60635, within ten (10) days after date of purchase.



Cobra

Cobra Communications Product Group

DYNASCAN CORPORATION

6460 W. Cortland Street

Chicago, Illinois 60635