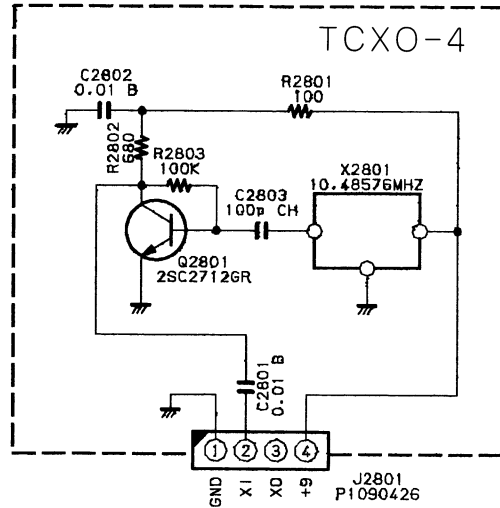
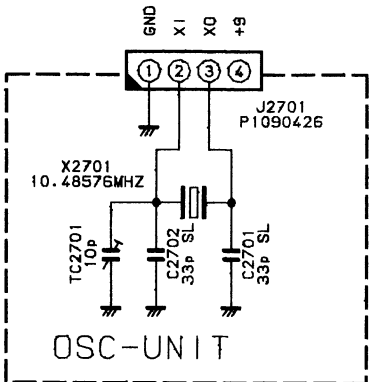
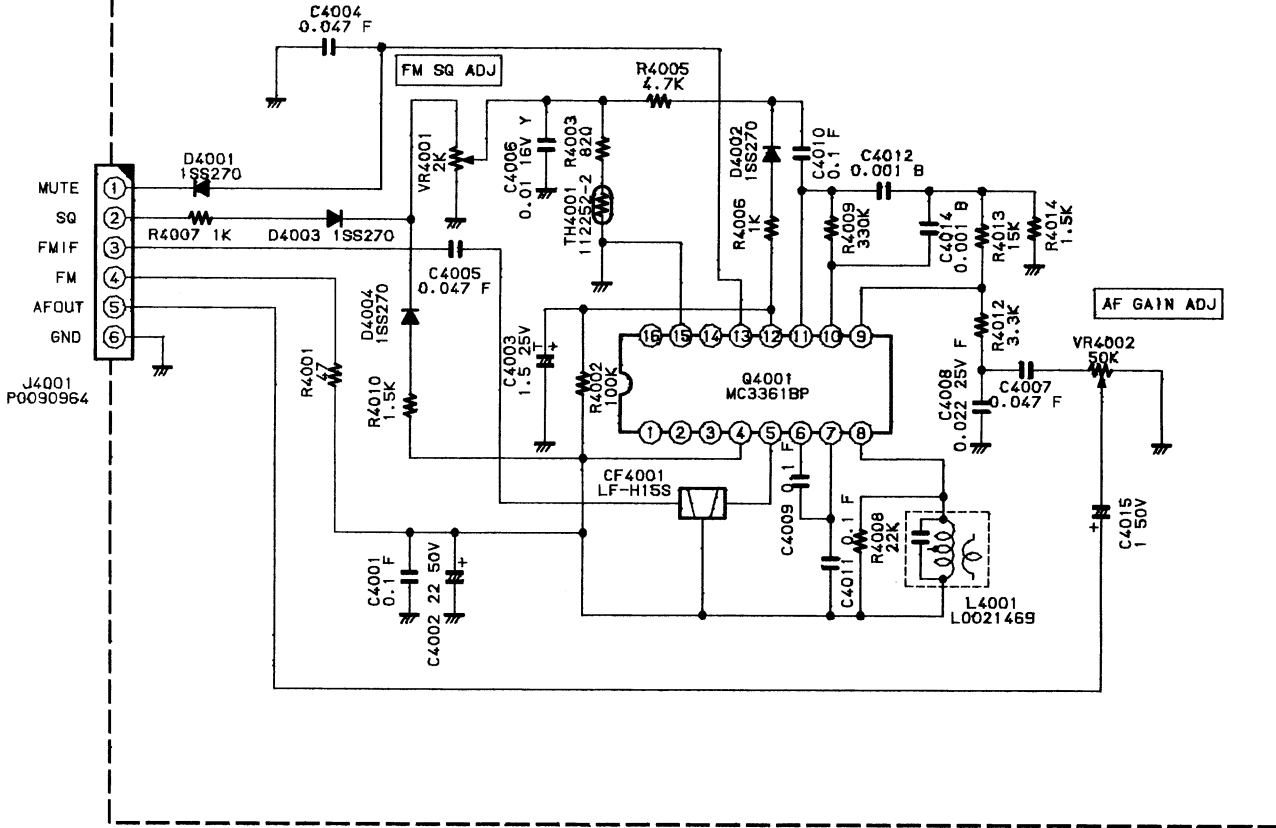
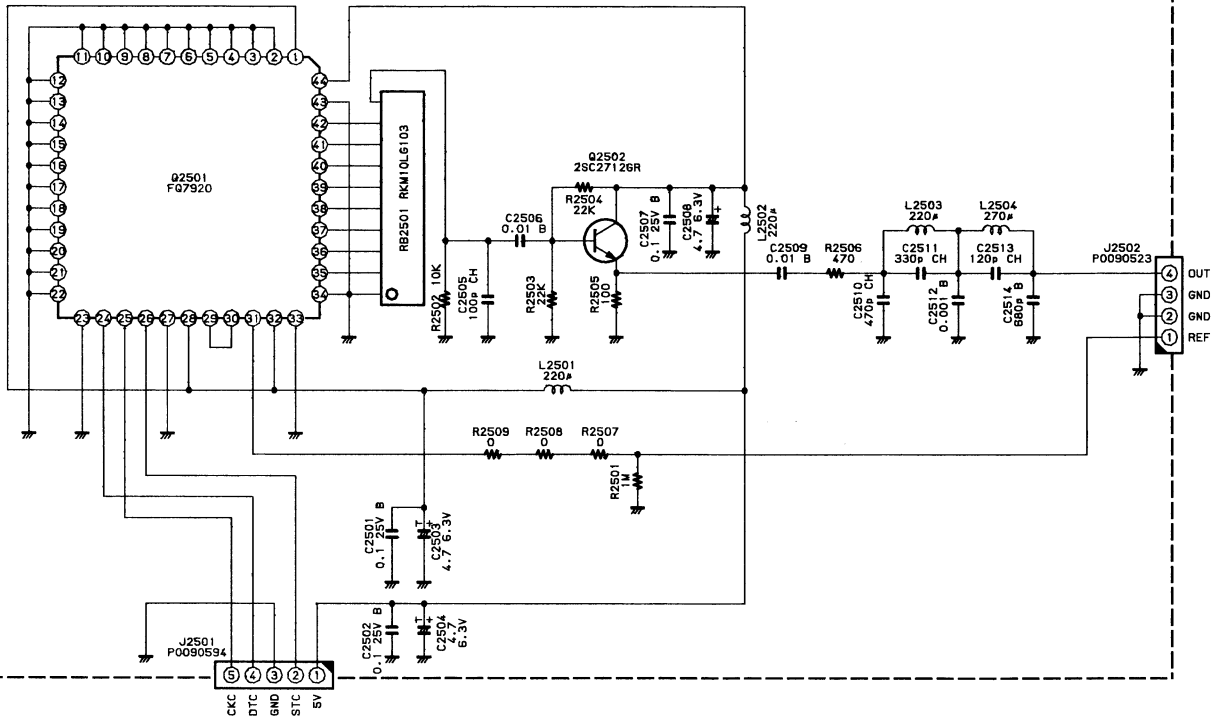


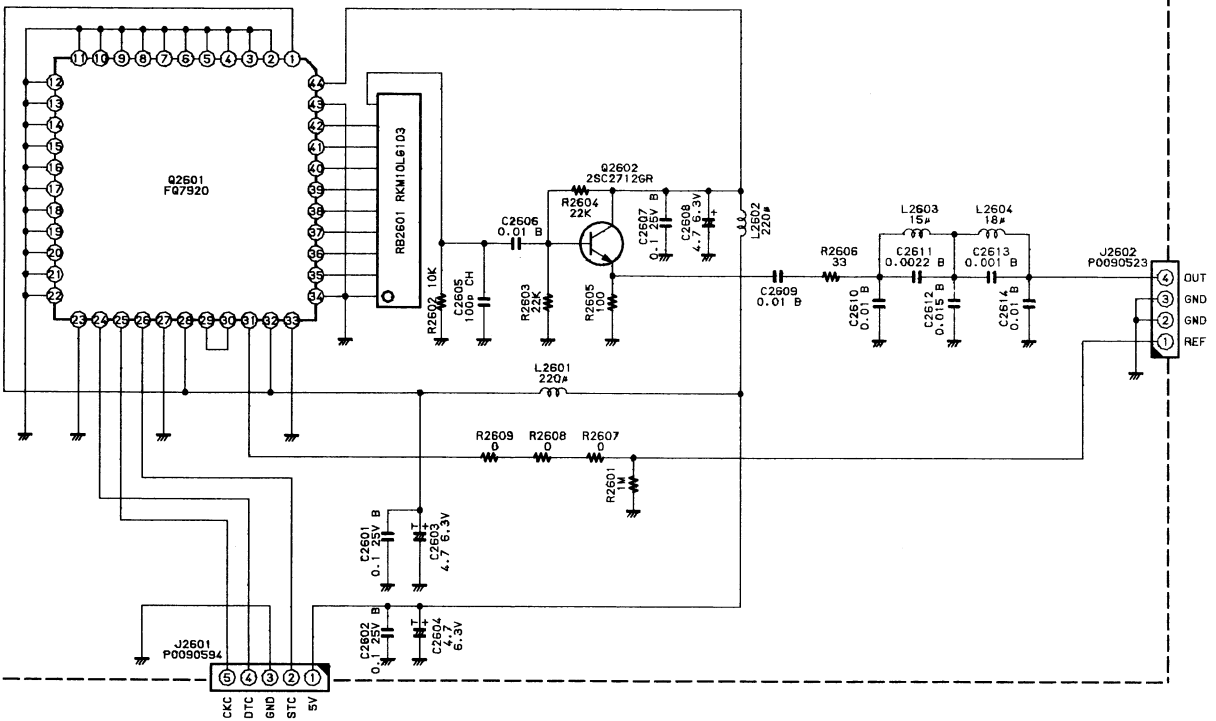
FM-UNIT-100



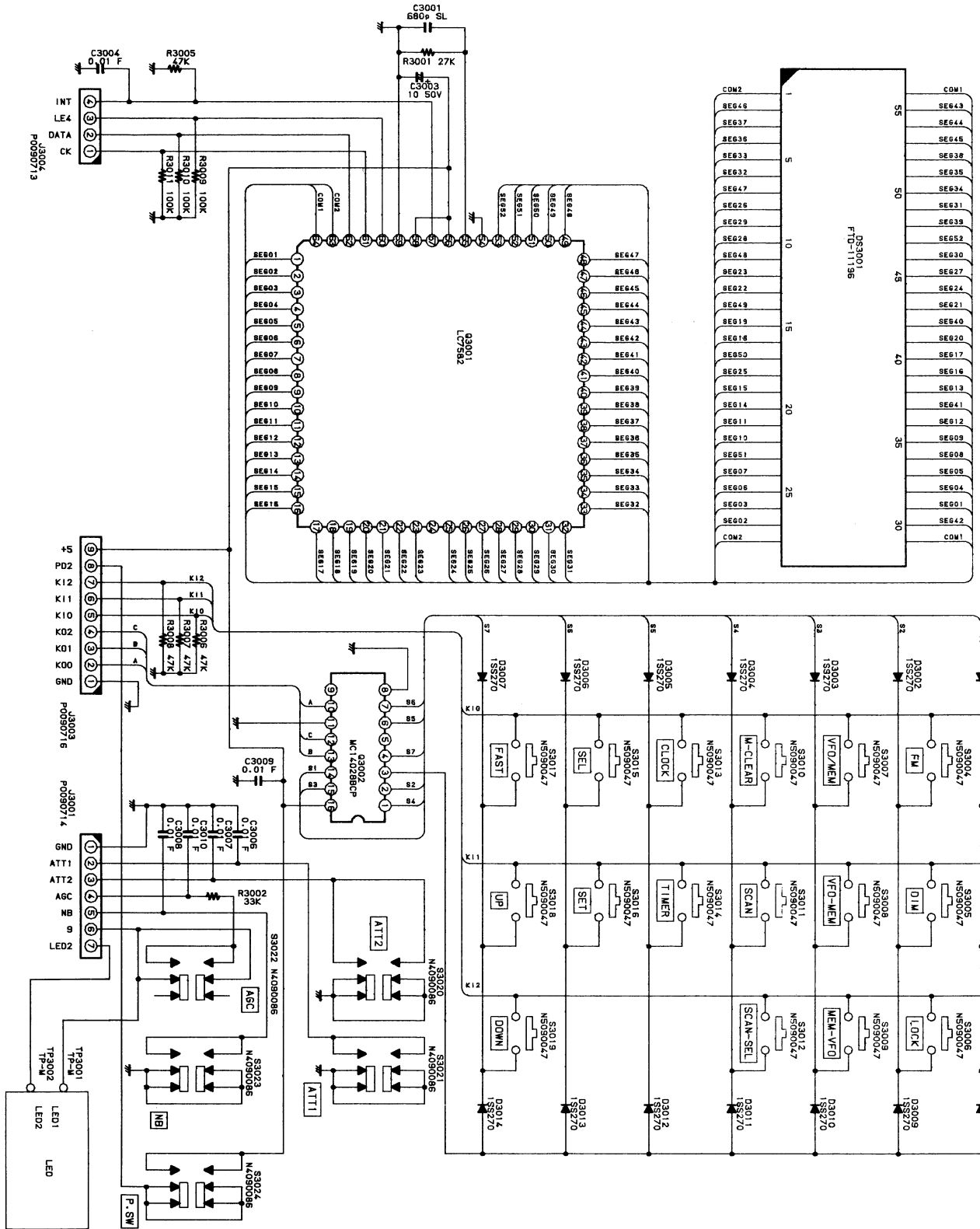
PLL DDS UNIT

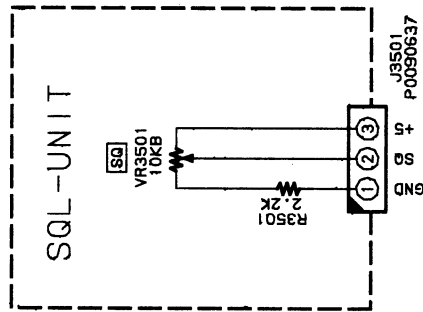
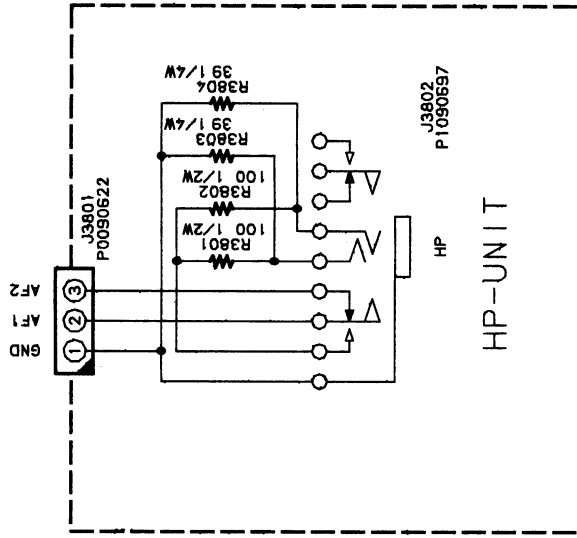
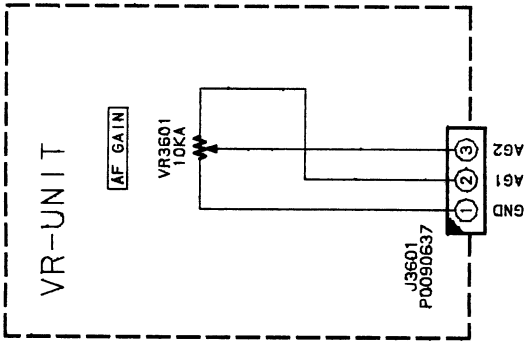
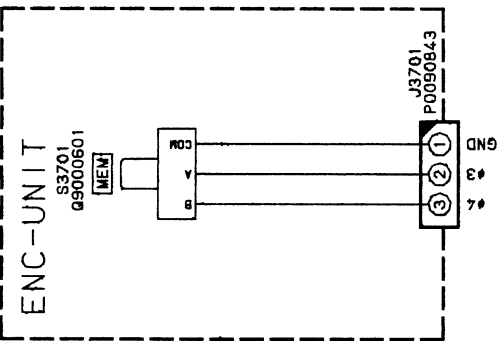


CAR DDS UNIT

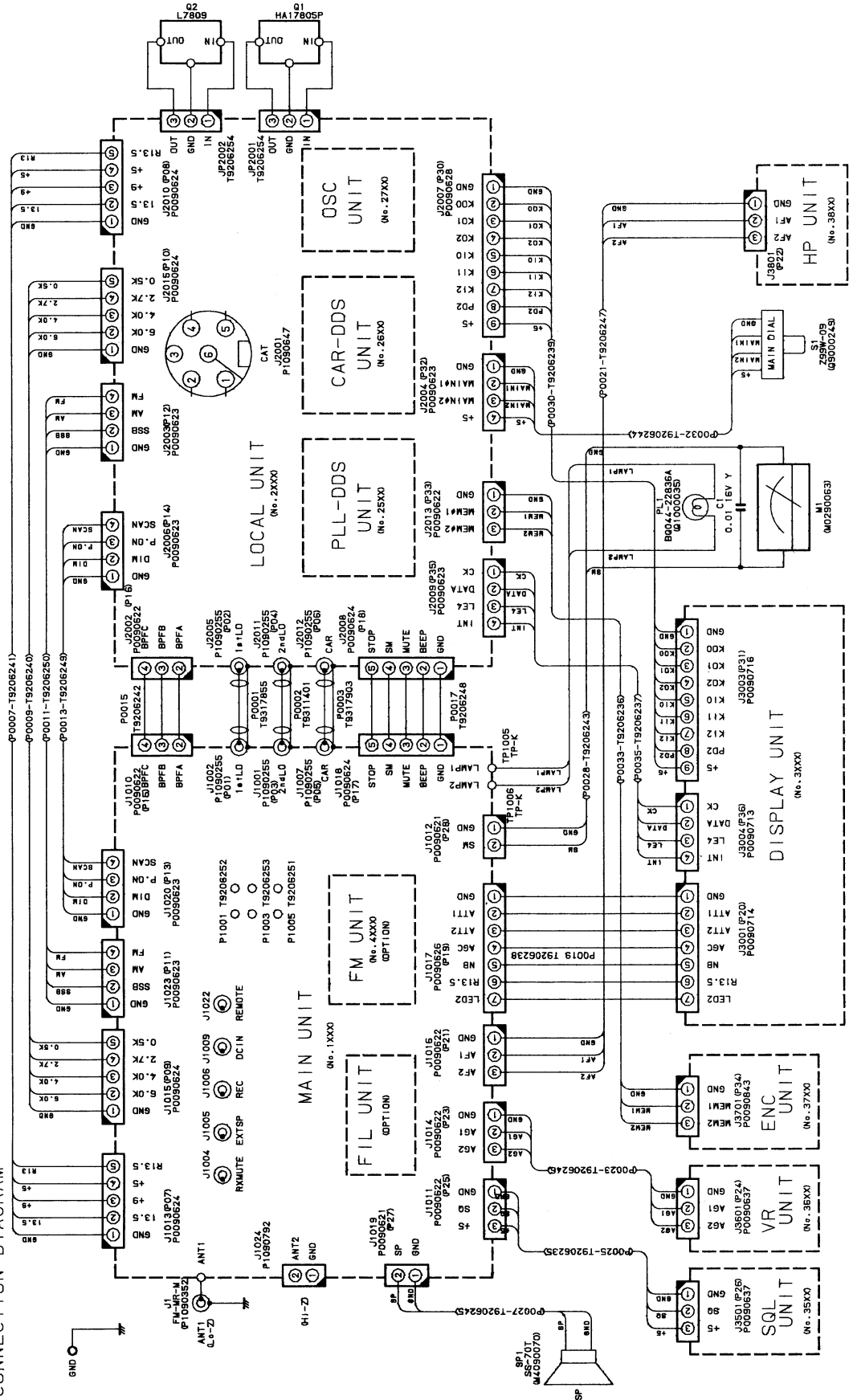


DISPLAY-UNIT

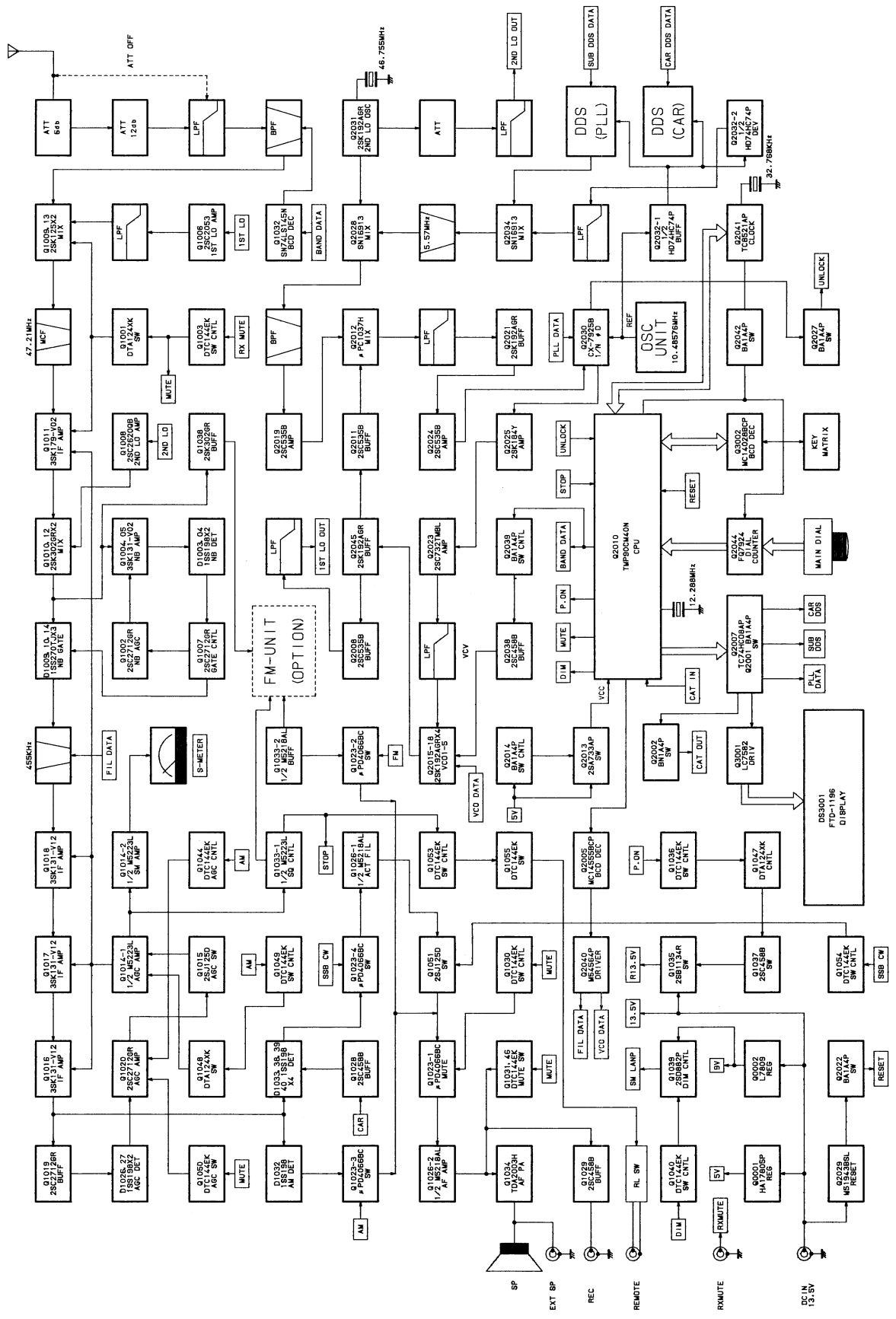




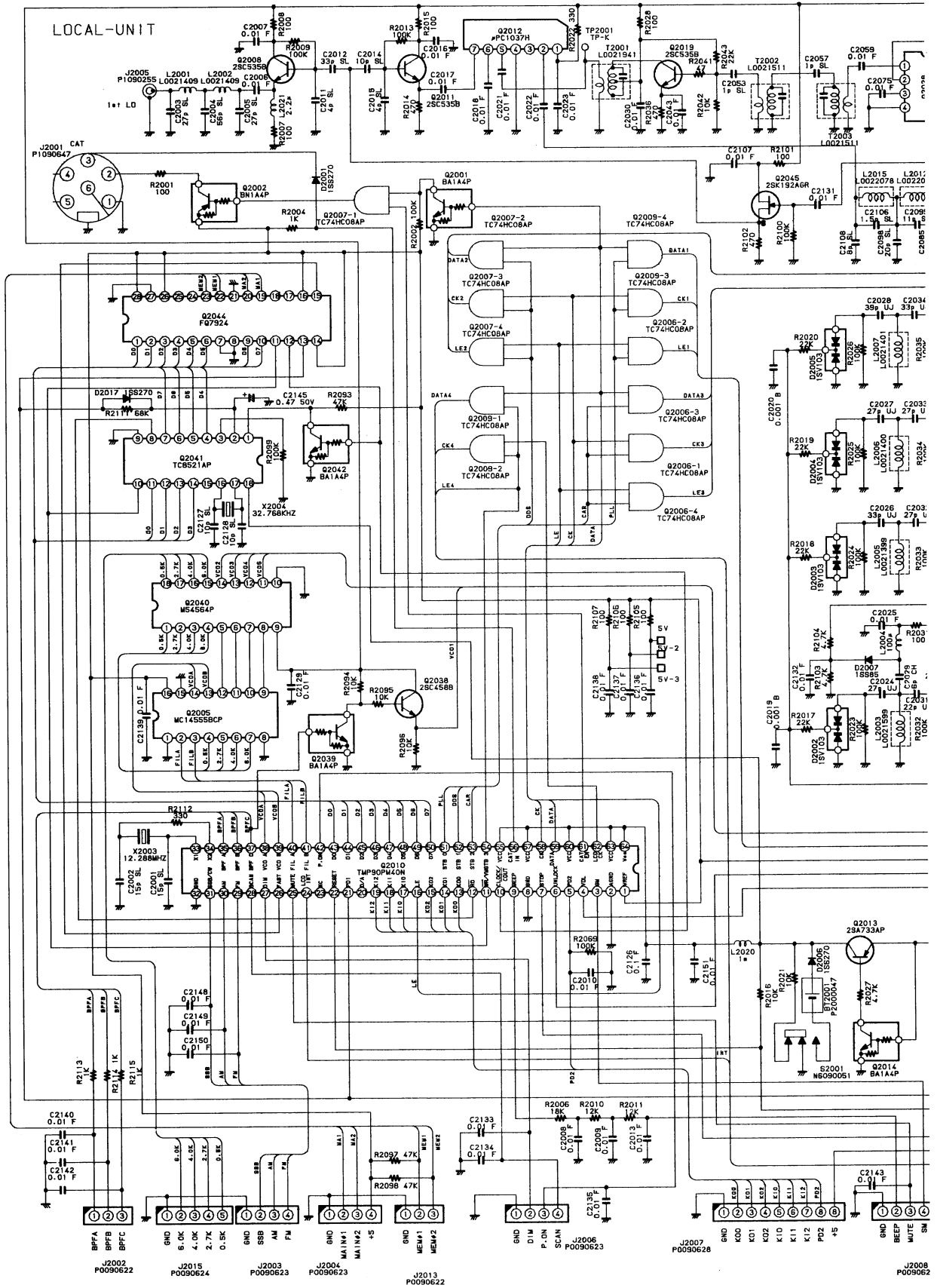
CONNECTION DIAGRAM

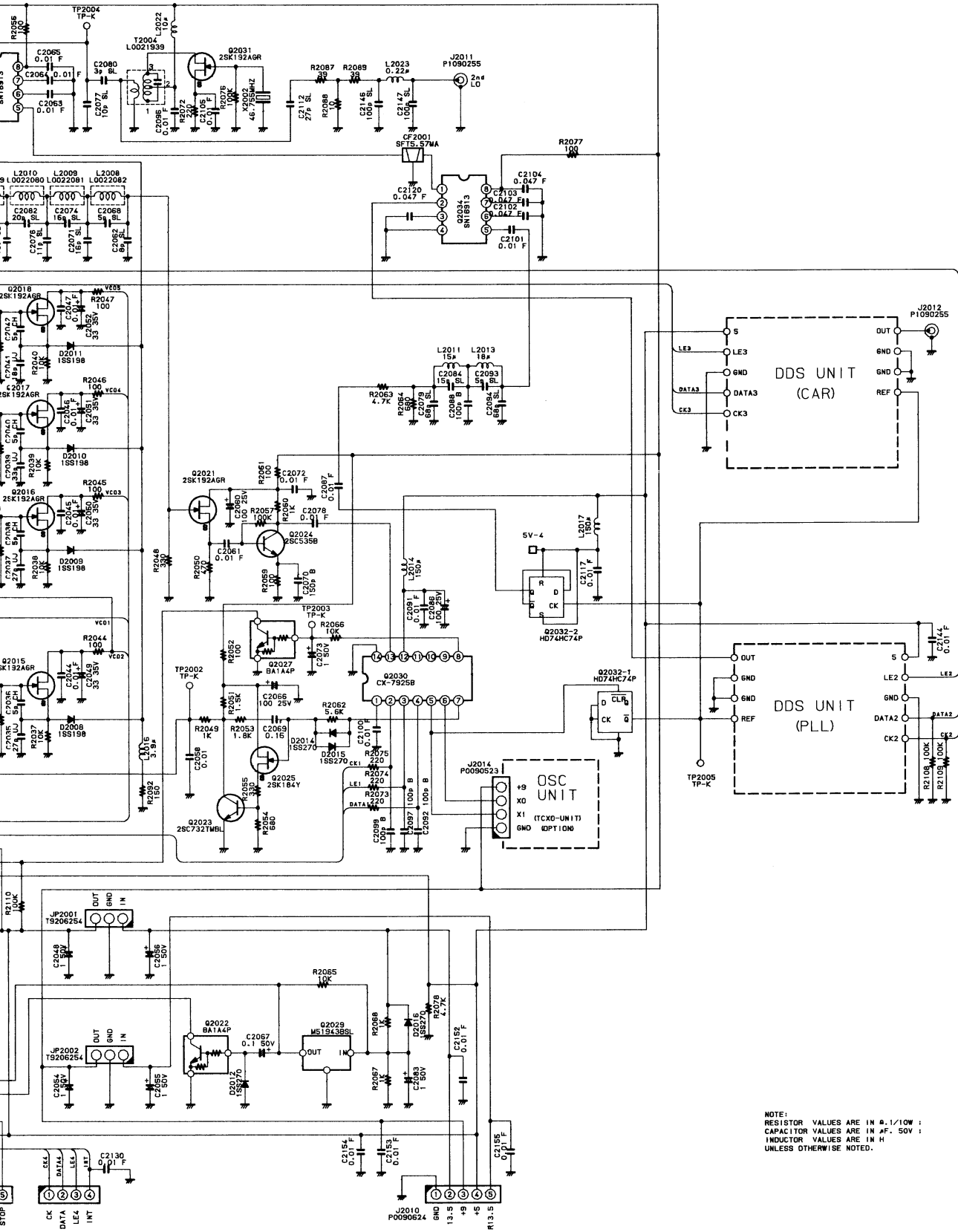


FRG-100 BLOCK DIAGRAM

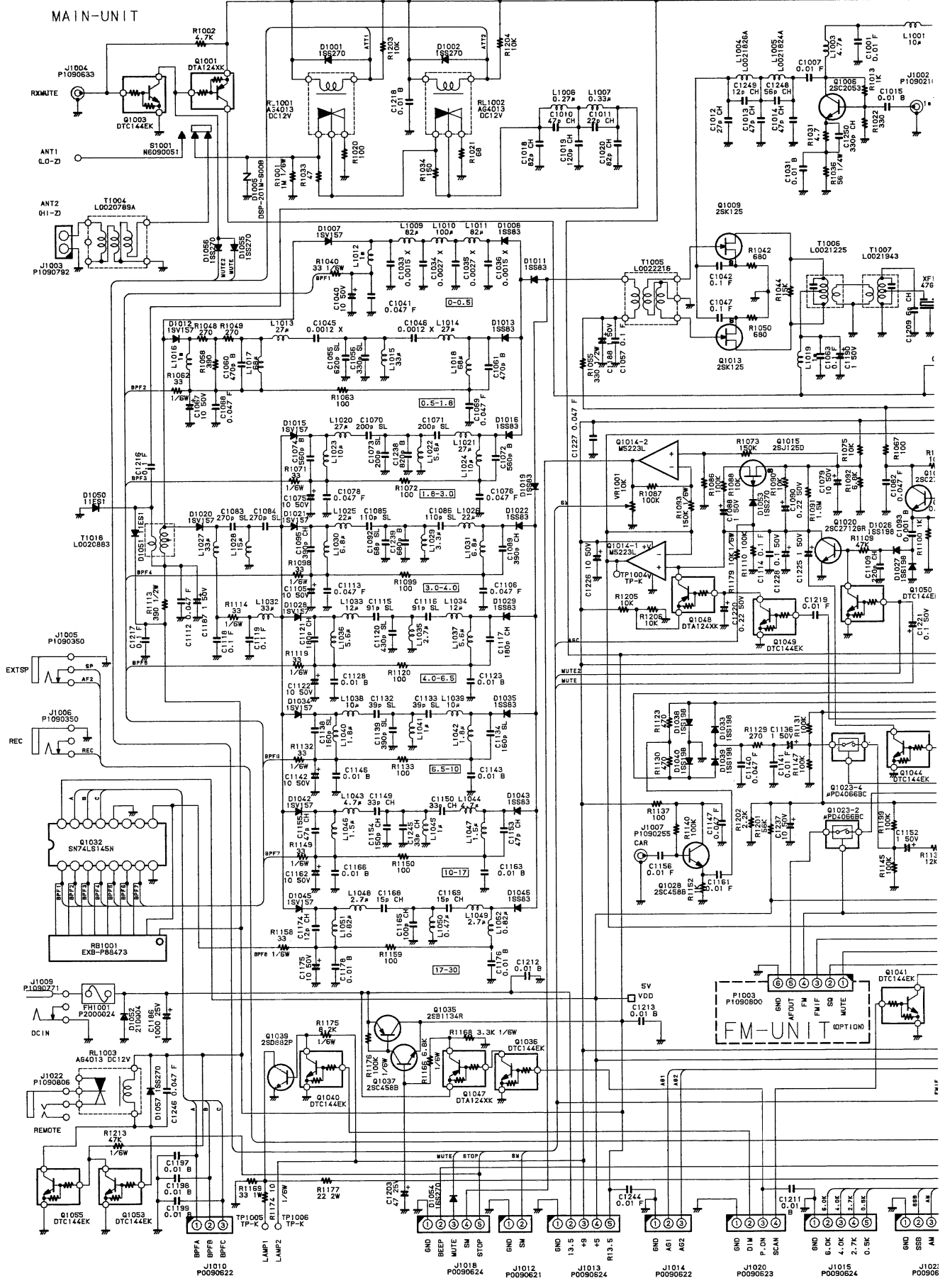


LOCAL-UNIT





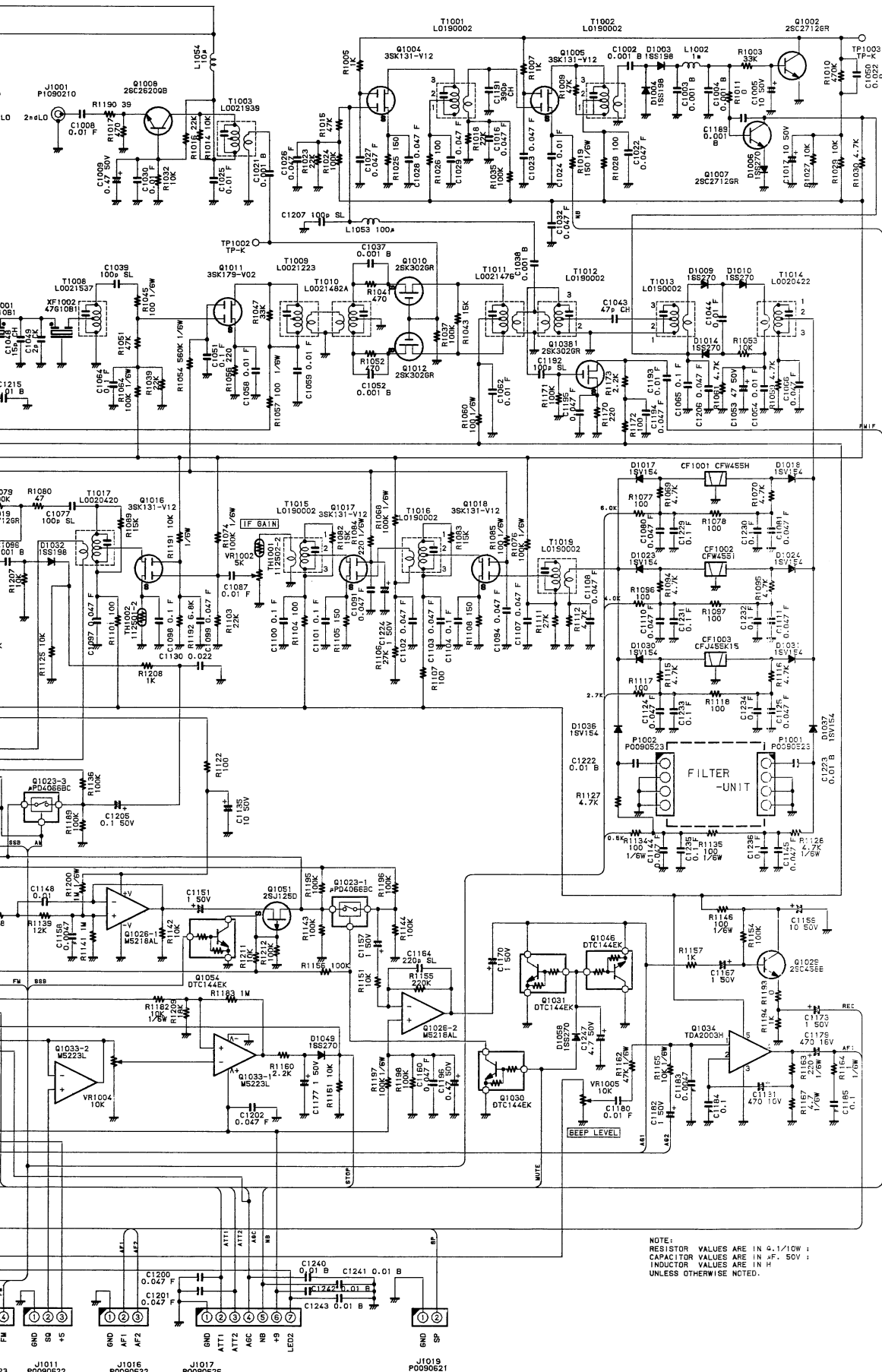
NOTE:
 RESISTOR VALUES ARE IN Ω , 1/10W ;
 CAPACITOR VALUES ARE IN μ F, 50V ;
 INDUCTOR VALUES ARE IN H
 UNLESS OTHERWISE NOTED.



MAIN-UNIT

FM-UNIT

- J1001 P0090522
- J1002 P0090522
- J1003 P1090792
- J1004 L002089A
- J1005 P1090350
- J1006 P1090350
- J1007 P2000024
- J1008 P1090271
- J1009 P1090806
- J1010 P0090624
- J1011 P0090621
- J1012 P0090624
- J1013 P0090624
- J1014 P0090622
- J1015 P0090624
- J1016 P0090624
- J1017 P0090624
- J1018 P0090624
- J1019 P0090624
- J1020 P0090623
- J1021 P0090624
- J1022 P0090624
- J1023 P0090624
- J1024 P0090624
- J1025 P0090624
- J1026 P0090624
- J1027 P0090624
- J1028 P0090624
- J1029 P0090624
- J1030 P0090624
- J1031 P0090624
- J1032 P0090624
- J1033 P0090624
- J1034 P0090624
- J1035 P0090624
- J1036 P0090624
- J1037 P0090624
- J1038 P0090624
- J1039 P0090624
- J1040 P0090624
- J1041 P0090624
- J1042 P0090624
- J1043 P0090624
- J1044 P0090624
- J1045 P0090624
- J1046 P0090624
- J1047 P0090624
- J1048 P0090624
- J1049 P0090624
- J1050 P0090624
- J1051 P0090624
- J1052 P0090624
- J1053 P0090624
- J1054 P0090624
- J1055 P0090624
- J1056 P0090624
- J1057 P0090624
- J1058 P0090624
- J1059 P0090624
- J1060 P0090624
- J1061 P0090624
- J1062 P0090624
- J1063 P0090624
- J1064 P0090624
- J1065 P0090624
- J1066 P0090624
- J1067 P0090624
- J1068 P0090624
- J1069 P0090624
- J1070 P0090624
- J1071 P0090624
- J1072 P0090624
- J1073 P0090624
- J1074 P0090624
- J1075 P0090624
- J1076 P0090624
- J1077 P0090624
- J1078 P0090624
- J1079 P0090624
- J1080 P0090624
- J1081 P0090624
- J1082 P0090624
- J1083 P0090624
- J1084 P0090624
- J1085 P0090624
- J1086 P0090624
- J1087 P0090624
- J1088 P0090624
- J1089 P0090624
- J1090 P0090624
- J1091 P0090624
- J1092 P0090624
- J1093 P0090624
- J1094 P0090624
- J1095 P0090624
- J1096 P0090624
- J1097 P0090624
- J1098 P0090624
- J1099 P0090624
- J1100 P0090624
- J1101 P0090624
- J1102 P0090624
- J1103 P0090624
- J1104 P0090624
- J1105 P0090624
- J1106 P0090624
- J1107 P0090624
- J1108 P0090624
- J1109 P0090624
- J1110 P0090624
- J1111 P0090624
- J1112 P0090624
- J1113 P0090624
- J1114 P0090624
- J1115 P0090624
- J1116 P0090624
- J1117 P0090624
- J1118 P0090624
- J1119 P0090624
- J1120 P0090624
- J1121 P0090624
- J1122 P0090624
- J1123 P0090624
- J1124 P0090624
- J1125 P0090624
- J1126 P0090624
- J1127 P0090624
- J1128 P0090624
- J1129 P0090624
- J1130 P0090624
- J1131 P0090624
- J1132 P0090624
- J1133 P0090624
- J1134 P0090624
- J1135 P0090624
- J1136 P0090624
- J1137 P0090624
- J1138 P0090624
- J1139 P0090624
- J1140 P0090624
- J1141 P0090624
- J1142 P0090624
- J1143 P0090624
- J1144 P0090624
- J1145 P0090624
- J1146 P0090624
- J1147 P0090624
- J1148 P0090624
- J1149 P0090624
- J1150 P0090624
- J1151 P0090624
- J1152 P0090624
- J1153 P0090624
- J1154 P0090624
- J1155 P0090624
- J1156 P0090624
- J1157 P0090624
- J1158 P0090624
- J1159 P0090624
- J1160 P0090624
- J1161 P0090624
- J1162 P0090624
- J1163 P0090624
- J1164 P0090624
- J1165 P0090624
- J1166 P0090624
- J1167 P0090624
- J1168 P0090624
- J1169 P0090624
- J1170 P0090624
- J1171 P0090624
- J1172 P0090624
- J1173 P0090624
- J1174 P0090624
- J1175 P0090624
- J1176 P0090624
- J1177 P0090624
- J1178 P0090624
- J1179 P0090624
- J1180 P0090624
- J1181 P0090624
- J1182 P0090624
- J1183 P0090624
- J1184 P0090624
- J1185 P0090624
- J1186 P0090624
- J1187 P0090624
- J1188 P0090624
- J1189 P0090624
- J1190 P0090624
- J1191 P0090624
- J1192 P0090624
- J1193 P0090624
- J1194 P0090624
- J1195 P0090624
- J1196 P0090624
- J1197 P0090624
- J1198 P0090624
- J1199 P0090624
- J1200 P0090624



NOTE:
 RESISTOR VALUES ARE IN Ω, 1/10W ;
 CAPACITOR VALUES ARE IN μF, 50V ;
 INDUCTOR VALUES ARE IN mH ;
 UNLESS OTHERWISE NOTED.

J1016 P0090622
 J1017 P0090626
 J1019 P0090621