

# SPECIFICATION

## MODEL

### CZX-3500

IMPEDANCE/50 Ohms.

#### VOLTAGE

ACTUATION DATA :

VOLTAGE :

Pull in ..... 10Vdc - 14Vdc (12Vdc Nominal)  
 Drop out ..... 3.0Vdc Min.  
 Current ..... 230mA @12Vdc 20°C  
 Coil resistance ... 52 Ohms ± 10% 20°C

#### SWITCHING TIME

SWITCHING TIME :

Pull in ..... 20ms max.  
 Drop out ..... 18ms max.  
 LIFE EXPECTANCY ... 1,000,000. Operation min.

#### MECHANICAL

MECAHANICAL :

Contact arrangement ..... SPDT  
 Operational temperature ..... -25°C to + 50°C (Max Temperature Rise:20c)  
 Weight ..... Approx 320gs.  
 Mounting ..... Four screws  
 Cable connections ..... 3 N Type female connectors.

#### ELECTRICAL CHARACTERISTICS

ELECTRICAL CHARACTERISTICS :

Frequency	VSWR	Isolation	Ins.Loss	IN PUT RF Power
MHz	Max	-dB(min)	-dB(max)	W(PEP)
50	1.008	65	0.1	1000
150	1.01	65	0.1	1000
500	1.03	65	0.2	800
1000	1.06	65	0.25	600
2000	1.07	65	0.3	250
3000	1.1	60	0.3	50
4000	1.15	55	0.35	15

#### COIL CHARACTERISTICS

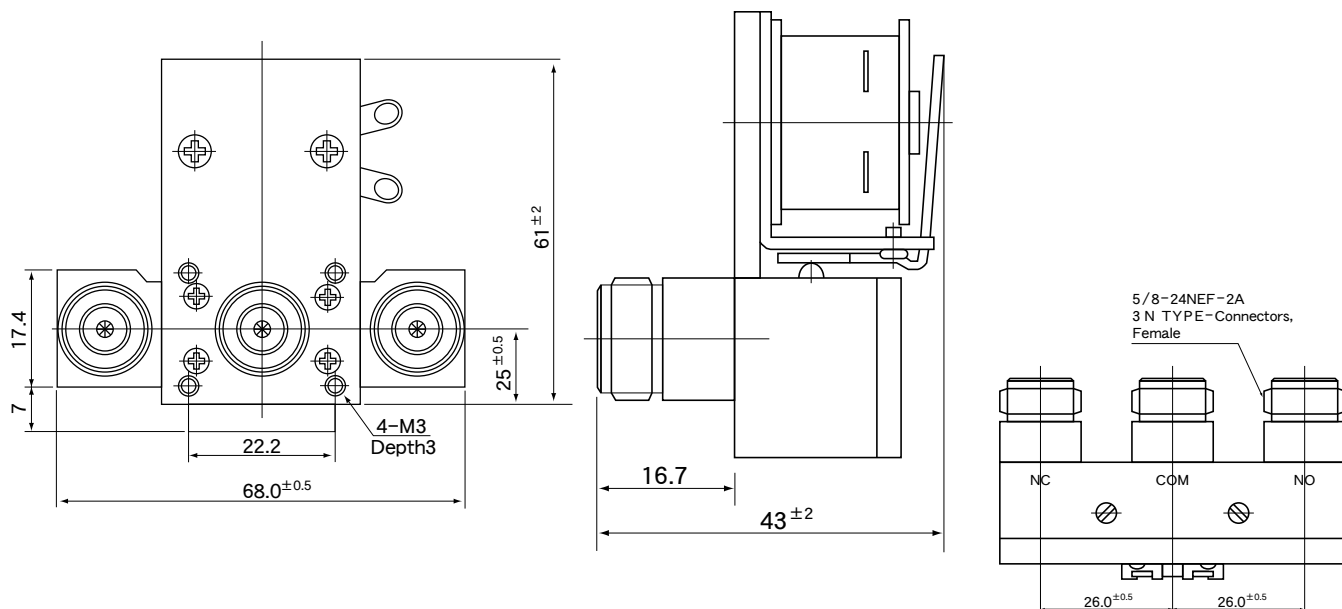
COIL CHARACTERISTICS :

Nominal Voltage                      Voltage Range                      Coil Resistance Ohms  
 12Vdc                                      10Vdc - 14Vdc                      52 ±10% 20°C

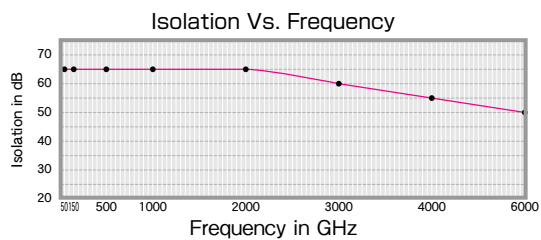
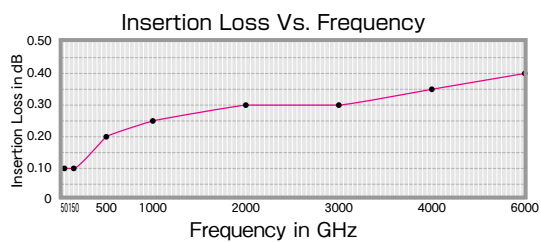
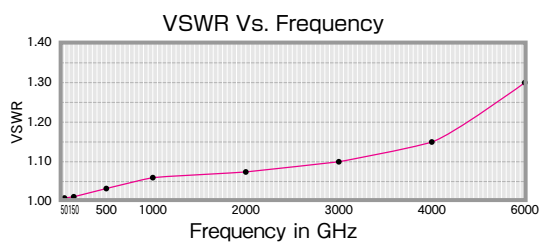
Note : Other voltages are also available at option.

# DIMENSIONS

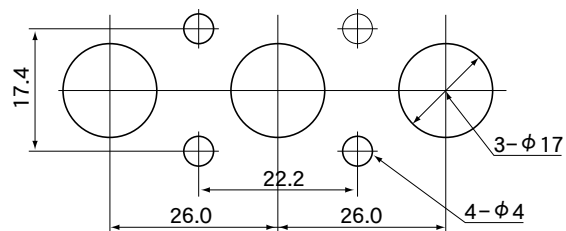
SCALE m/n



## Typical Operating Curves



(Mounting Holes)



## Schematic

