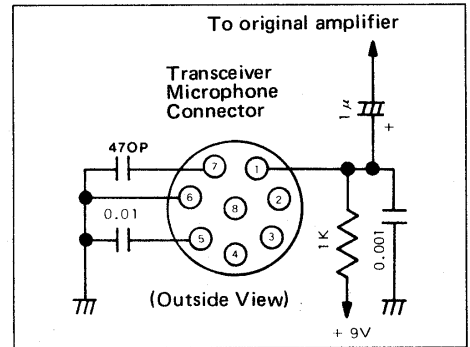


Congratulations on the purchase of DESK MICROPHONE IC-SM5 for new ICOM's transceiver.

This microphone will increase your operating convenience and make operation of the transceiver more enjoyable with clear tone and good pickup capability.

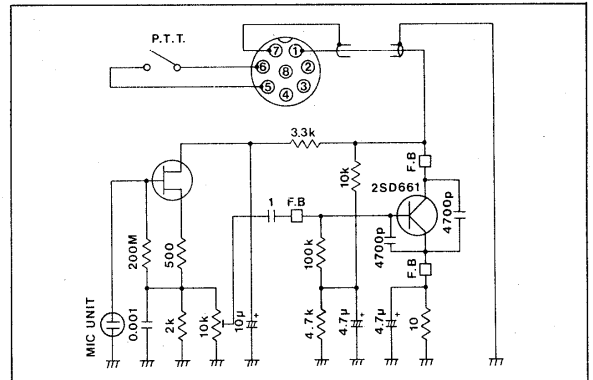
IC-SM5 is an electret condenser type desk microphone with a built-in preamplifier. So, a DC voltage should be applied to the preamplifier. In the IC-SM5 the DC voltage is superimposed on the AF output line.

ICOM transceiver has an 8 pin microphone connector, to accept the IC-SM5 microphone, but other transceiver or transmitter should be modified as per the following schematic chart.



### SPECIFICATIONS

Type	: Electret condenser type
Directional	: Uni-directional
Characteristics	: 1.3K ohm
Impedance	: 400 ~ 10,000 (Hz)
Frequency Response	: -27dB ±6dB at 1000Hz (Level control in max. position)
Sensitivity	: 0dB = 1μber
Weight	: 310g (including Cord and Connector)
Circuit	: As per the following chart



Note: Specifications subject to change without notice.

### HOW TO USE

1. A sensitivity control is installed on the bottom of the mic stand. By turning it to the "H" or "L" position, the sensitivity will increase or decrease, respectively. Adjust the control so as to get the proper sensitivity considering the distance to the mic, the loudness of your voice and the environmental conditions.
2. The wind screen not only prevents background noise due to wind, but also protects the mic. Unless required, do not remove the screen from the mic.
3. In order to operate the microphone, connect its plug to the mic socket on a transceiver (or transmitter).
4. To transmit, press the PTT switch downward. When it is released, the transceiver will return to the receive condition. For a long transmission, pull the PTT switch backwards, while pressing it down until the switch is locked and it will remain in that position until it is pushed forward and released. Refer to the following chart.

